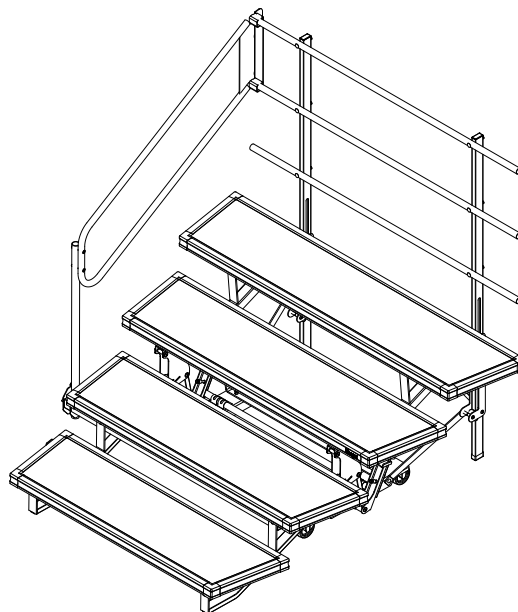


Signature Choral 3-Step Riser
with Optional Side Rail



Signature Choral 4-Step Riser
with Optional Side Rail

CONTENTS

Safety Precautions	2	Side Rail Assembly	5
Warranty	2	Pre-Assembly Notes	5
Important User Information	3	Attaching the Front and Rear Mounts	5
General	3	Connecting the Upright Tube and the Side Rail Loop ..	7
Manufacturer	3	Completing the Assembly	8
Intended Use	3	Safety Check	8
Parts List	4		
Hardware Pack - Required Tools	4		
Hardware Pack - Fasteners	4		
Side Rail Assembly	4		

Note: Please read and understand these Assembly and Owner's Instructions for the Signature Choral Riser Side Rail before assembling the parts.


Note: Remove all items from the shipping cartons and arrange them in a convenient location. Refer to the illustrations on the following pages. If you need additional information, write or telephone Wenger Corporation at the number below.

SAFETY PRECAUTIONS

Throughout this manual you will find cautions and warnings which are defined as follows.

- **WARNING** means that failure to follow the instruction may result in serious injury or death.
- **CAUTION** means that failure to follow the instruction may result in serious injury or damage to property.

Read all of the safety instructions before assembling or using the Signature Choral Riser Side Rail.

 CAUTION
<i>Make sure that anyone working on the Signature Choral Riser Side Rail has read and understands this manual.</i>

 CAUTION
<i>Failure to comply with Warnings and Cautions in this document can result in damage to property or serious injury.</i>

WARRANTY

The Signature Choral Riser Side Rail is guaranteed free of defects in materials and workmanship for five full years.

Our guarantee assures you of either a full refund or repair or replacement of the defective materials or workmanship without charge, at the discretion of our Customer Service Department. Just call a Customer Service Representative at 1-800-887-7145 and state the reason you are dissatisfied. If a product return is necessary, your representative will issue a return authorization. This is your sole remedy for breach of this warranty.

Should you have a question or problem with any Wenger product, don't hesitate to call, even if the product is past warranty. It's important to us that all our customers be satisfied.

This is the sole warranty made by Wenger. Wenger disclaims all other warranties, including the warranties of merchantability and fitness for a particular purpose, as well as all liability for incidental, consequential, special, and indirect damage. Wenger liability for direct damages shall be limited to the amount you paid for the product involved. Wenger reserves the right to make product changes without obligation to incorporate such changes into products previously sold.

Some states do not allow the exclusion or limitation of damages or warranties, so the above may not apply to you. This warranty gives you specific legal rights. You may also have other rights which vary from state to state.

IMPORTANT USER INFORMATION

GENERAL

Copyright © 2010 by Wenger Corporation

All rights reserved. No part of the contents of this manual may be reproduced, copied, or transmitted in any form or by any means including graphic, electronic, or mechanical methods or photocopying, recording, or information storage and retrieval systems without the written permission of the publisher, unless it is for the purchaser's personal use.

Printed and bound in the United States of America.

The information in this manual is subject to change without notice and does not represent a commitment on the part of Wenger Corporation. Wenger Corporation does not assume any responsibility for any errors that may appear in this manual.

In no event will Wenger Corporation be liable for technical or editorial omissions made herein, nor for direct, indirect, special, incidental, or consequential damages resulting from the use or defect of this manual.

The information in this document is not intended to cover all possible conditions and situations that might occur. The end user must exercise caution and common sense when assembling or installing Wenger Corporation products. If any questions or problems arise, call Wenger Corporation at 1-800-733-0393.

MANUFACTURER

The Signature Choral Riser Side Rail is manufactured by:

Wenger Corporation
555 Park Drive
Owatonna, MN 55060
1-507-455-4100 • 1-800-733-0393
www.wengercorp.com

INTENDED USE

- This product is designed to only be installed on Signature 3-Step and 4-Step Choral Risers.
- This product is intended for indoor use in normal ambient temperature and humidity conditions — it must not be exposed to prolonged outside weather conditions.
- This product is intended to be assembled only as described in these instructions.

PARTS LIST

HARDWARE PACK - REQUIRED TOOLS

Wenger provides the following tools that are required for assembly.



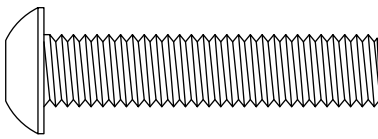
7/32" Hex Key Wrench



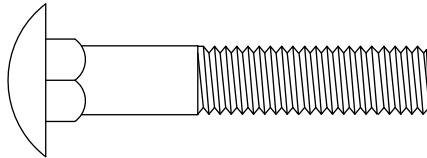
(2) 5mm Hex Key Wrench

HARDWARE PACK - FASTENERS

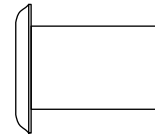
Fasteners are shown actual size.



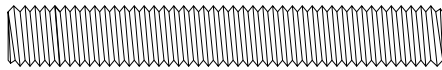
(4) Socket Screw, B HD, 3/8-16 x 1-3/4



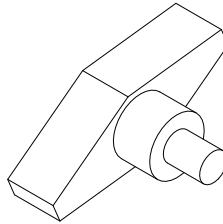
(4) Carriage Bolt, ZP, 3/8-16 x 2



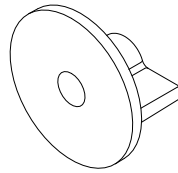
(8) Nut, Joint Connector



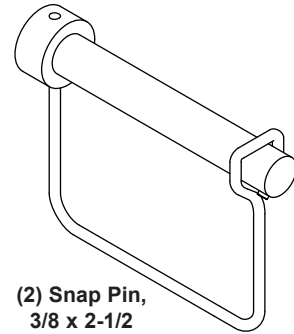
(4) Threaded Rod, 5/16-18 x 2-1/4



(2) Knob, 3/8-16 x 1/2

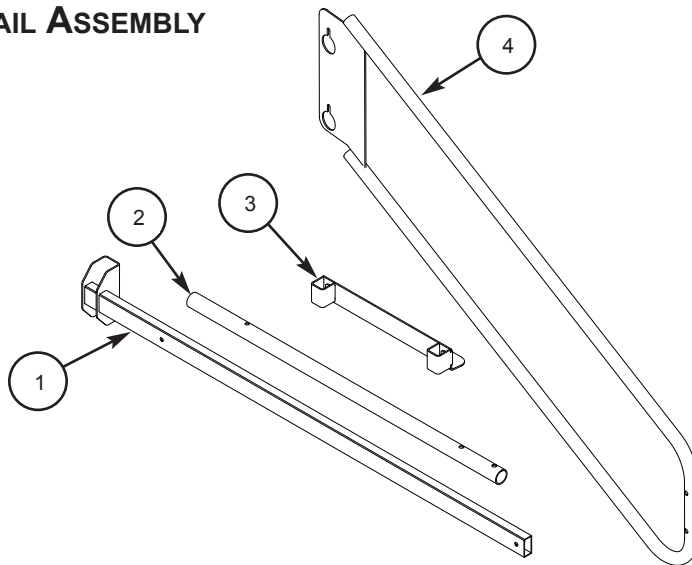


(4) Wing Nut, 3/8-16



(2) Snap Pin, 3/8 x 2-1/2

SIDE RAIL ASSEMBLY



Item	Qty	Description
1	2	Front Mount
2	2	Upright Tube

Item	Qty	Description
3	2	Rear Mount
4	2	Side Rail Loop

SIDE RAIL ASSEMBLY

ATTENTION: The Side Rail installation procedures are the same for a 3-Step or a 4-Step Signature Riser. Only the location of the Front Mount is different as shown in step 1 below.

PRE-ASSEMBLY NOTES

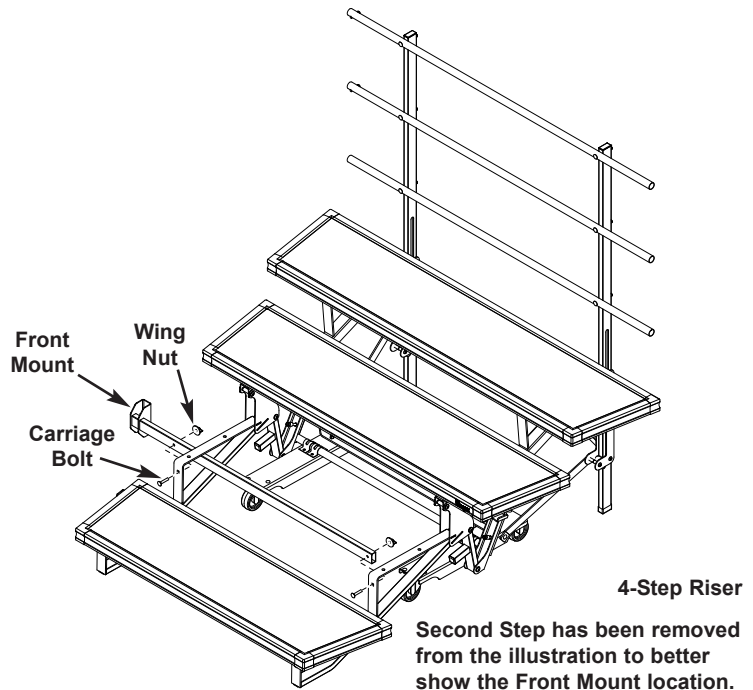
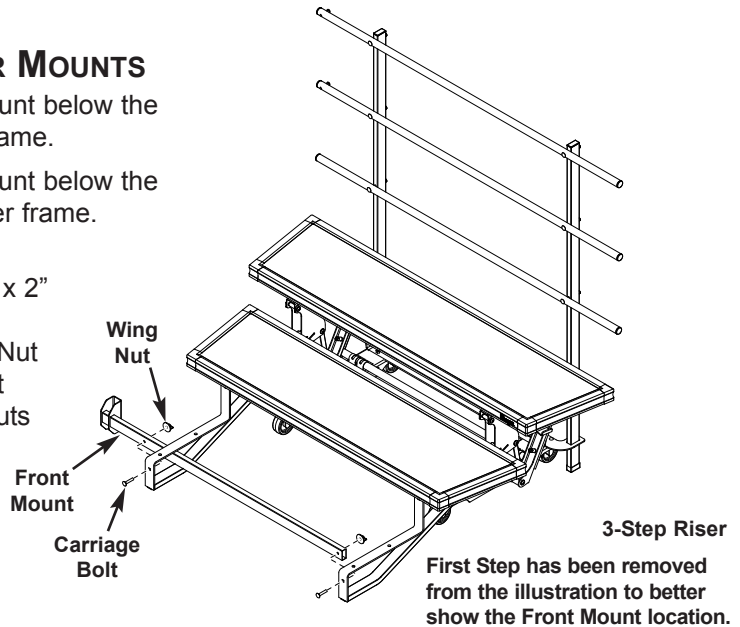
- Side Rail Assemblies are sold and shipped in pairs. These instructions are for assembling one Side Rail at a time.
- The Side Rail must be removed to fold up the risers. The Front and Rear Mount Brackets remain on the riser when it is stored.
- Be sure to install the Side Rail Assembly on the risers that will be at the ends of a multiple riser configuration.

ATTACHING THE FRONT AND REAR MOUNTS

1. On a 3-Step Riser, attach the Front Mount below the first step at the back side of the riser frame.

On a 4-Step Riser, attach the Front Mount below the second step at the back side of the riser frame.

Secure the Front Mount using two 3/8" x 2" Carriage Bolts and two 3/8" Wing Nuts. Install the first Carriage Bolt and Wing Nut loosely to allow Front Mount movement for the second set. Tighten the Wing Nuts as tight as possible by hand.



SIDE RAIL ASSEMBLY CONTINUED

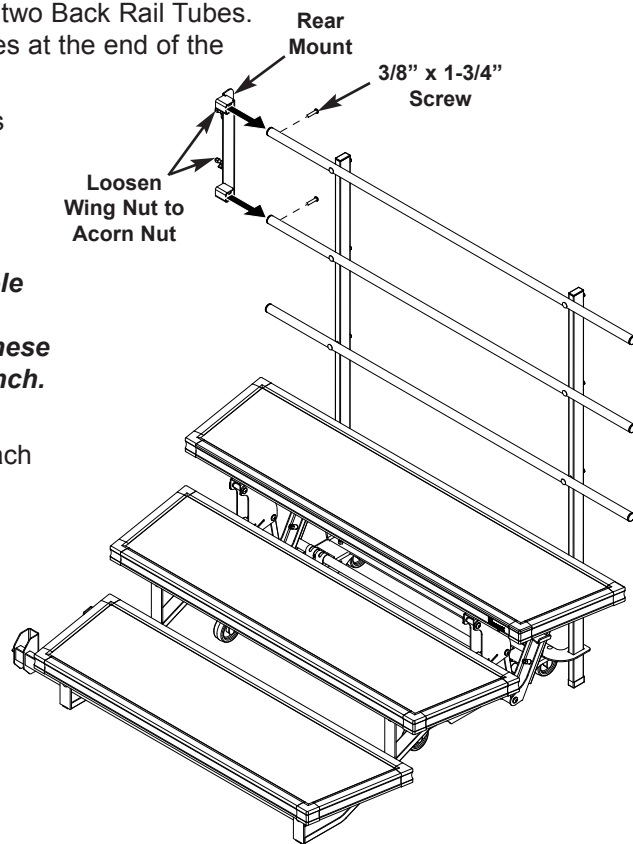
ATTACHING THE FRONT AND REAR MOUNTS CONTINUED

- Slide the Rear Mount over the ends of the top two Back Rail Tubes. Align the holes in the Rear Mount with the holes at the end of the Back Rail Tubes.

Secure the Rear Mount to the Back Rail Tubes using two 3/8" x 1-3/4" Screws.

Note: *These screws extend through the hole in the Back Rail Tubes and tighten against the opposite side. Tighten these screws using the 7/32" hex key wrench.*

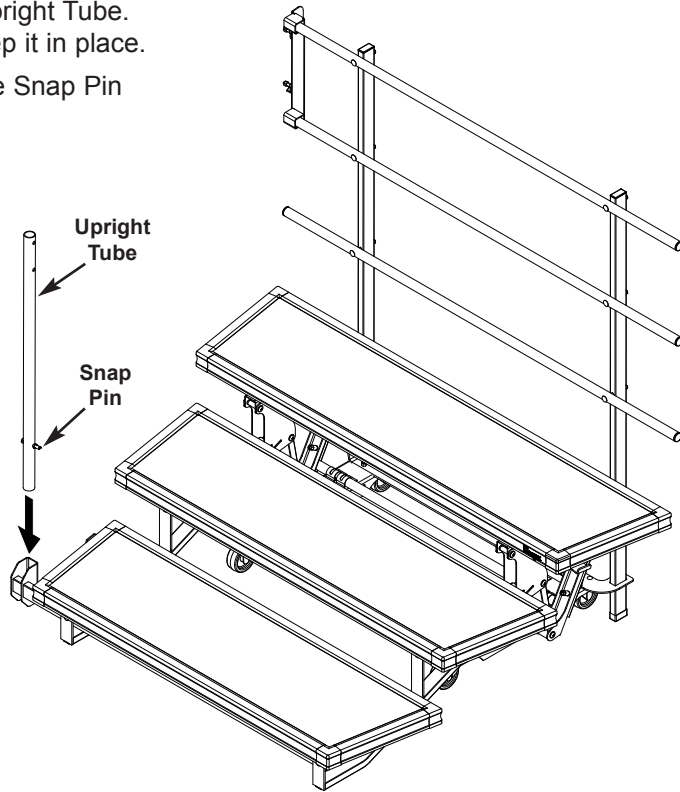
- Locate the two Wing Nuts on the Rear Mount. Loosen them (counter-clockwise) until they reach the Acorn Nut.



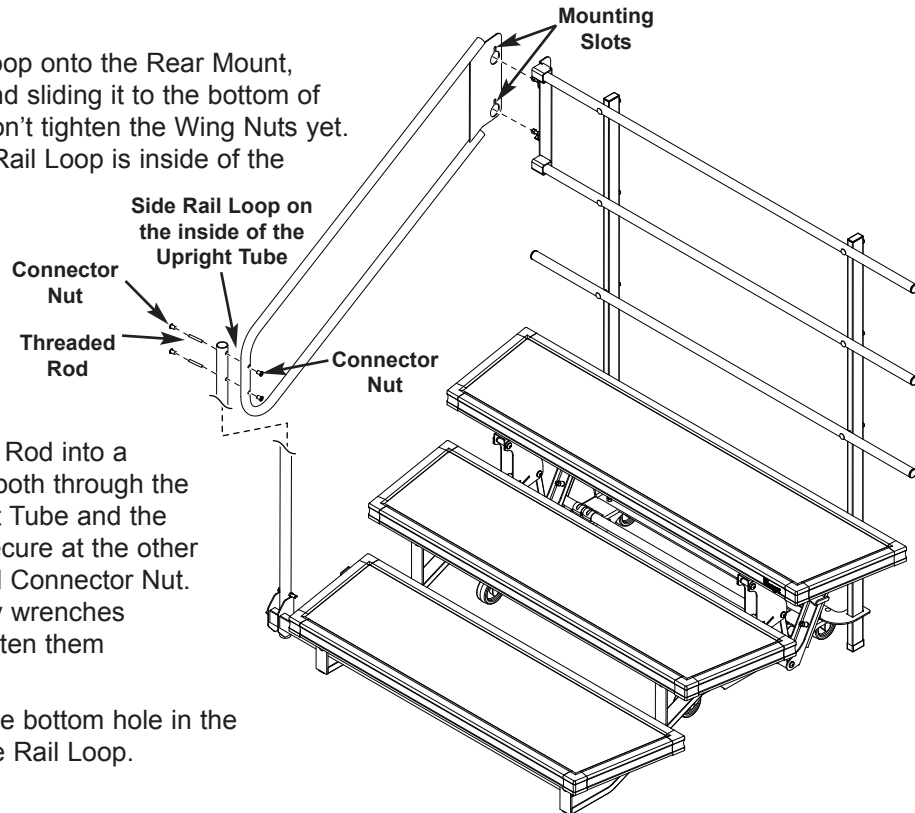
SIDE RAIL ASSEMBLY CONTINUED

CONNECTING THE UPRIGHT TUBE AND THE SIDE RAIL LOOP

1. Insert the Snap Pin into the hole in the Upright Tube. Close the wire retainer over the pin to keep it in place.
2. Place the end of the Upright Tube with the Snap Pin into the Front Mount.



3. Place the Side Rail Loop onto the Rear Mount, over the Wing Nuts and sliding it to the bottom of the mounting slots. Don't tighten the Wing Nuts yet. Be sure the Side Rail Loop is inside of the Upright Tube.



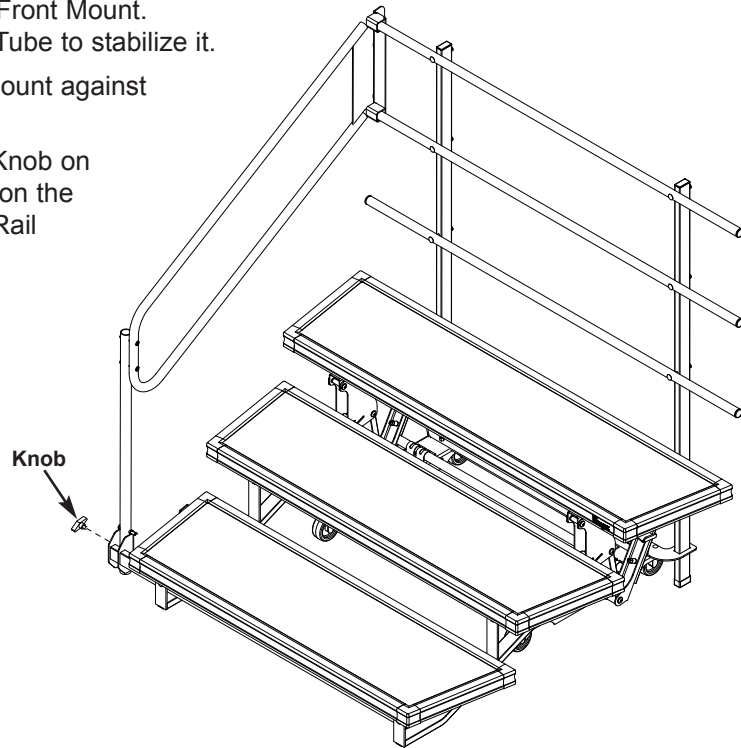
4. Thread one Threaded Rod into a Connector Nut. Slide both through the top hole in the Upright Tube and the Side Rail Loop and secure at the other side with an additional Connector Nut. Use two 5mm hex key wrenches (included in kit) to tighten them securely.

Repeat this step on the bottom hole in the Upright Tube and Side Rail Loop.

SIDE RAIL ASSEMBLY CONTINUED

COMPLETING THE ASSEMBLY

1. Thread the Knob into the hole of the Front Mount. Tighten securely against the Upright Tube to stabilize it.
2. Tighten the Wing Nuts on the Rear Mount against the plate on the Side Rail Loop.
3. To remove the Side Rail, loosen the Knob on the Front Mount and both Wing Nuts on the Rear Mount. Lift and rotate the Side Rail off of the riser.



SAFETY CHECK

With the Side Rail attached, check the fasteners for tightness:

- a. Two Wing Nuts on the Front Mount.
- b. Two Screws on the Rear Mount.