

OnBoard Percussion Cart
without Accessories

CONTENTS

CONTENTS	1
SAFETY	3
WARRANTY	4
USER INFORMATION	4
TOOLS REQUIRED	5
FASTENER AND PARTS LIST	5
ASSEMBLY	6
OPERATION	8
STORAGE	10
MAINTENANCE	10
REPLACEMENT PARTS	11

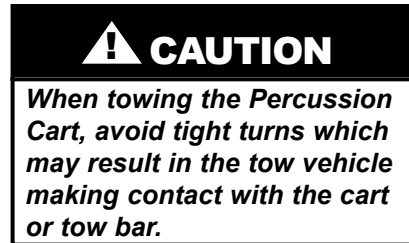
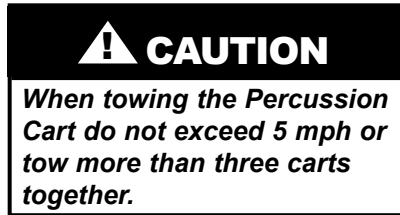
Note: Please read and understand the OnBoard Percussion Cart Assembly and Owner's Manual before use.

Note: Remove Percussion Cart assembly parts from the shipping container. Refer to the illustrations on the following pages. If you need additional information, contact the Wenger Corporation using the information below.

SAFETY PRECAUTIONS

Throughout this manual you will find **CAUTIONS** and **WARNINGS**. They are defined as follows:

- **WARNING**; failure to follow the instruction may result in serious injury or death.
- **CAUTION**; failure to follow the instruction may result in serious injury or damage to property.



Note: Failure to comply with precautions in this section can result in serious injury.

ASSEMBLY

- Ensure anyone who helps assemble the Percussion Cart has read and understands this manual.

OPERATION

- Percussion Cart maximum total load capacity is 150 lbs uniformly distributed on the main support bar.
- Each instrument support is limited to a maximum load of 20 lbs if used in the vertical position and 10 lbs in the horizontal position.
- Instruments or accessories mounted on the 3/4" diameter instrument support bar must be secure and positioned so the cart is stable and there are no dangerous protruding edges or surfaces.
- When the Percussion Cart is left unattended, it must be placed in a secure position so that it doesn't move or roll into vehicles, structures or people.
- All four casters must be in contact with the floor or ground at all times.
- Always distribute the weight evenly on the cart. Avoid top-heavy loading.
- Avoid ramps with a rise or drop steeper than a one-foot in a 12-foot horizontal distance.
- Always move slowly up or down a ramp with the narrow end of the cart in the direction of travel.
- Do not pull or push too high on the cart or pull or push on the sides of the cart which may cause the cart to tip over.
- Avoid off-center loads which may cause the cart to tip over.
- Because swivel casters move in any direction, the operator must move the cart slowly and have a clear view to avoid obstructions and individuals standing in the direction of travel.
- If the Percussion Cart is heavily loaded, two people are always required to move the cart (one pushing at the rear and one guiding at the front).
- When transporting this product in a vehicle, it must be braced with tie-downs, chains or cargo straps designed specifically to prevent the cart from moving.
- Blankets or other padding material may be required to avoid damage to the cart and accessories from vibration and impact during transport.
- When moving the cart do not ride on the cart and do not allow others to ride on the cart.
- Use caution when removing objects from the cart or when placing objects on the cart.
- When towing the Percussion Cart, avoid tight turns which may result in the tow vehicle making contact with the cart or tow bar. Injury or damage may result.

WARRANTY

The Percussion Cart is guaranteed free of defects in materials and workmanship for five full years.

Our guarantee assures you of either a full refund, repair or replacement of the defective materials or workmanship without charge, at the discretion of our Customer Service Department.

Just call a Customer Service Representative at 1-800-887-7145 and state the reason you are dissatisfied. If a product return is necessary, your representative will issue a return authorization. This is your sole remedy for breach of this warranty.

Should you have a question or problem with any Wenger product, don't hesitate to call, even if the product is past warranty. It's important to us that all our customers are satisfied.

This is the sole warranty made by Wenger. Wenger disclaims all other warranties, including the warranties of merchantability and fitness for a particular purpose, as well as all liability for incidental, consequential, special, and indirect damage. Wenger's liability for direct damages shall be limited to the amount you paid for the product involved. Wenger reserves the right to make product changes without obligation and incorporate such changes into products previously sold.

Some states do not allow the exclusion or limitation of damages or warranties, so the above may not apply to you. This warranty gives you specific legal rights. You may also have other rights which vary from state to state.

IMPORTANT USER INFORMATION

GENERAL

Copyright® 2011 by Wenger Corporation

All rights reserved. No part of the contents of this manual may be reproduced, copied, or transmitted in any form or by any means including graphic, electronic, or mechanical methods or photocopying, recording, or information storage and retrieval systems without the written permission of the publisher, unless it is for the purchaser's personal use.

Printed and bound in the United States of America.

The information in this manual is subject to change without notice and does not represent a commitment on the part of Wenger Corporation. Wenger Corporation does not assume any responsibility for any errors that may appear in this manual.

In no event will Wenger Corporation be liable for technical or editorial omissions made herein, nor for direct, indirect, special, incidental, or consequential damages resulting from the use or defect of this manual.

The information in this document is not intended to cover all possible conditions and situations that might occur. The end user must exercise caution and common sense when assembling or installing Wenger Corporation products. If any questions or problems arise, call Wenger Corporation at 1-800-733-0393.

MANUFACTURER

The OnBoard® Percussion Cart is manufactured by:
Wenger Corporation
555 Park Drive
Owatonna, MN 55060
1-507-455-4100 • 1-800-733-0393
www.wengercorp.com

INTENDED USE

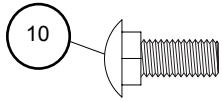
- This product is intended for indoor use in normal ambient temperature and humidity conditions — it must not be exposed to prolonged outside weather conditions.
 - This product is intended to be assembled only as described in these instructions.
-

TOOLS REQUIRED

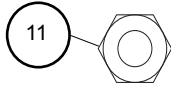
- 9/16" Wrench or 9/16" Socket with Ratchet
- 1/2" Wrench or 1/2" Socket with Ratchet
- 3/16" Allen Wrench (provided)

FASTENER LIST

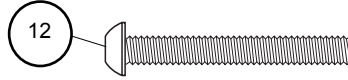
Note: Extra hardware can be discarded.



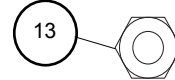
Carriage Bolt, 3/8-16 x 1



Lock Nut, 3/8-16

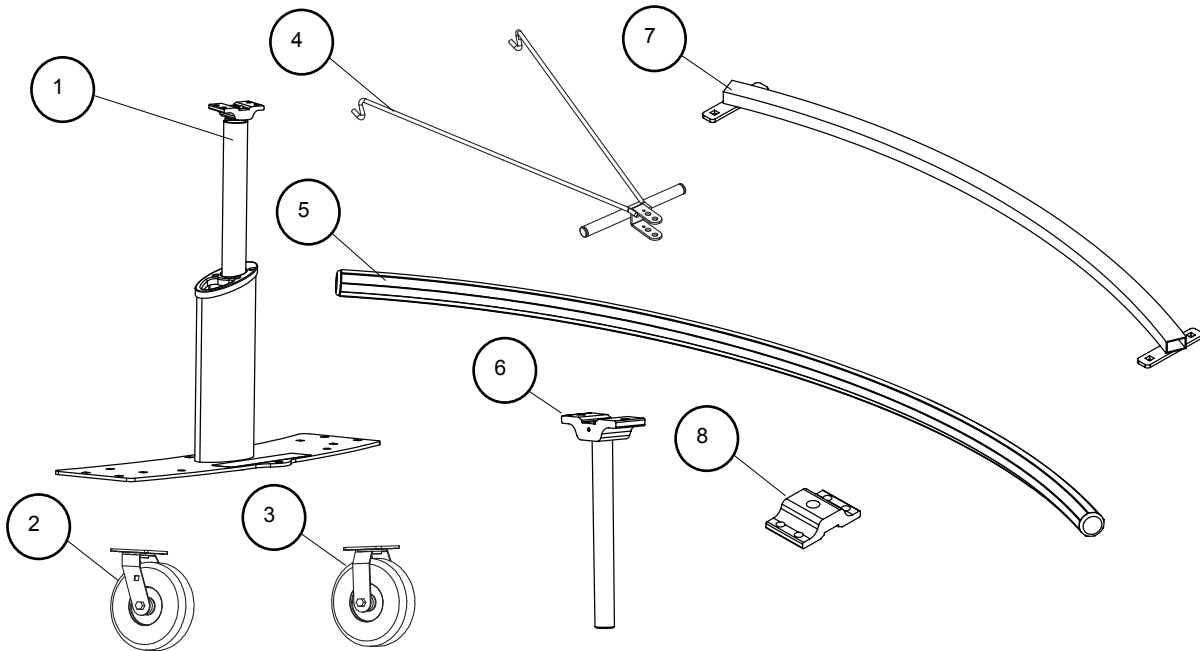


Socket Screw, 5/16-18 x 3



Nylon Lock Nut,
5/16-18

PARTS LIST



Item # Description

- 1 BASE ASSEMBLY
- 2 SWIVEL CASTER
- 3 RIGID CASTER
- 4 TOW BAR

Item # Description

- 5 CURVED TUBE EXTRUSION
- 6 MOUNT ASSEMBLY
- 7 SUPPORT WELDMENT
- 8 TUBE CLAMP EXTRUSION

ASSEMBLY

Always observe the precautions listed on page 2 of this document prior to assembly

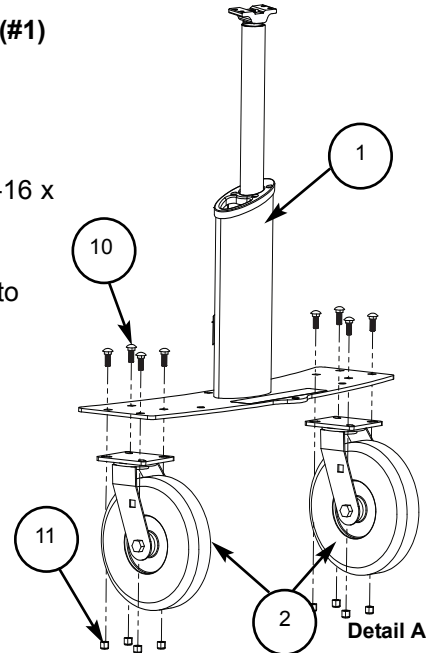
Failure to comply with the safety precautions on page 2 can result in serious injury.

ASSEMBLE CASTERS (#2 AND #3) TO THE BASE ASSEMBLY (#1)

1. Align the swivel casters (#2) with the bolt holes on the base assembly (#1).
2. Assemble the casters to the base assembly (#1) using two 3/8-16 x 1 carriage bolts (#10) and lock nuts (#11). **(Detail A)**

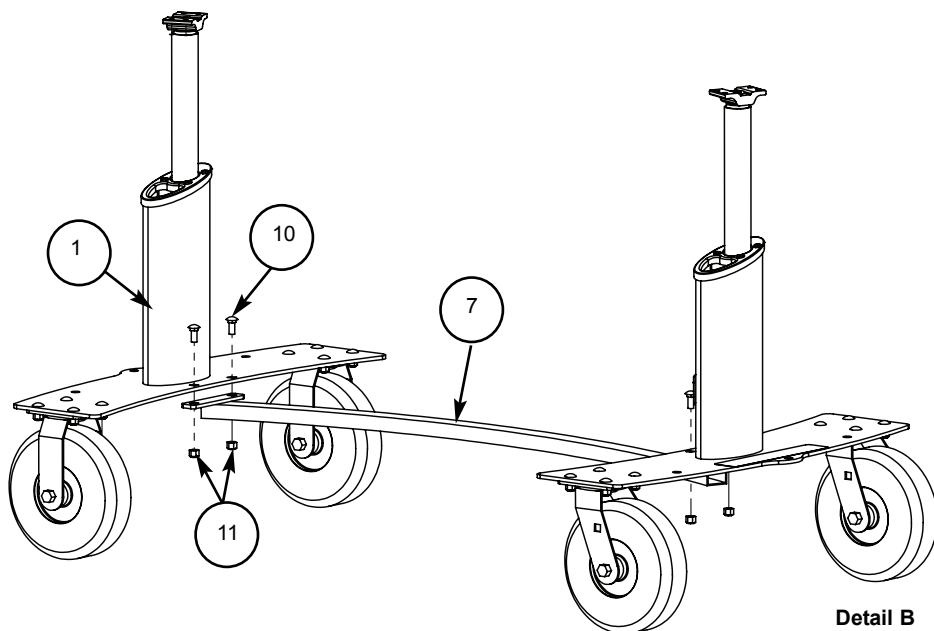
Note: The same caster type (swivel or rigid) must be assembled to each base assemblies.

3. Align the rigid casters (#3) with the bolt holes on the remaining base assembly (#1).
4. Repeat step 2.



ASSEMBLE THE SUPPORT (#7) TO THE BASE ASSEMBLIES (#1)

5. Lay the base assemblies on end.
6. Align the cross member (#7) to the bolt holes located on inside the base assemblies. **(Detail B)**
7. Secure the support to the base assemblies using carriage bolt, 3/8-16 x 1 (#10) and 3/8" lock nuts (#11).



ASSEMBLY (CONTINUED)

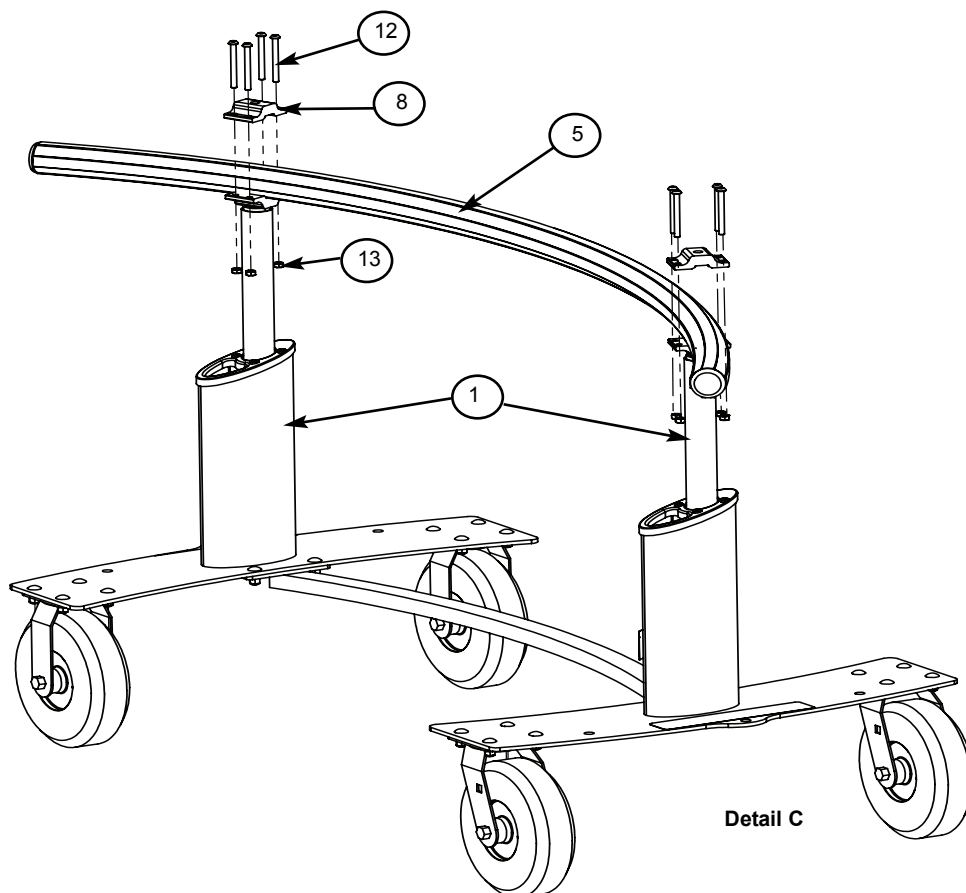
Use the Percussion Cart with care. Always observe the precautions listed on page 2 of this document.

Failure to comply with the safety precautions on page 2 can result in serious injury.

Note: Make sure the Percussion Cart is secure and doesn't roll away while assembling the curved tube extrusion (#5)

ASSEMBLE THE CURVED TUBE EXTRUSION (#5) ONTO THE PERCUSSION CART BASE.

8. Place the curved tube extrusion onto the clamps (#8) located at the top of the base assemblies (#1). Be sure to center the curved tube extrusion so it is evenly positioned on the base units. **(Detail C)**
9. Place the tube clamp extrusion (#8) parallel to the clamp located on the base assembly.
10. Using socket screw, 5/16-18 x 3 (#12) and nylon lock nut, 5/16-18 (#13), tighten the tube clamp extrusions together securing the curved tube extrusion.

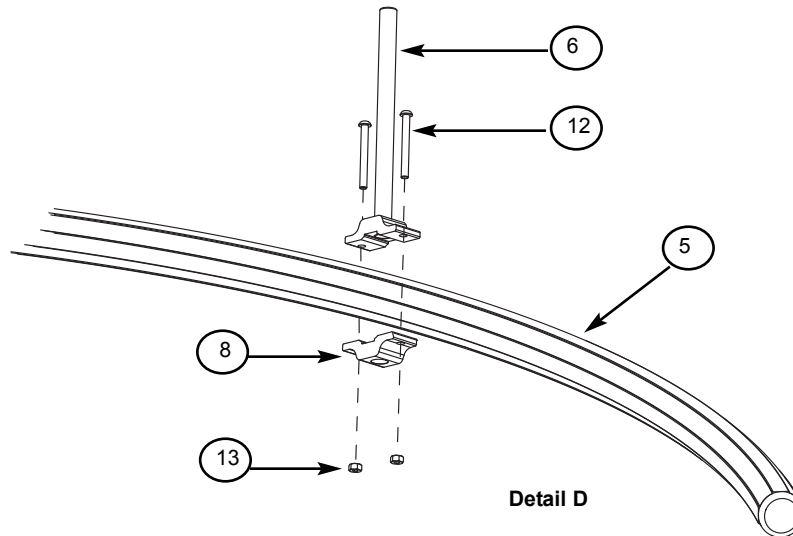


ASSEMBLY (CONTINUED)

ATTACHMENT OF PERCUSSION MOUNT ASSEMBLY

The percussion mount assembly may be attached in the up, down, front or back position to receive universal instrument mounts. Determine the direction in which the instruments are to be located on the Percussion Cart. To attach the percussion mount assembly; **(Detail D)**

11. Place the percussion mount assembly (#6) and tube clamp extrusion (#8) parallel to each other, at the desired location, on the curved tube extrusion (#5).
12. Insert the socket screw, 5/16-18x3 (#12) into the percussion mount assembly (#6) and through the tube clamp extrusion (#8).
13. Using the lock nut, 5/16-18 (#13) tighten the percussion mount assembly (#6) onto the curved tube extrusion (#5) uniformly. Do not over-tighten.



OPERATION

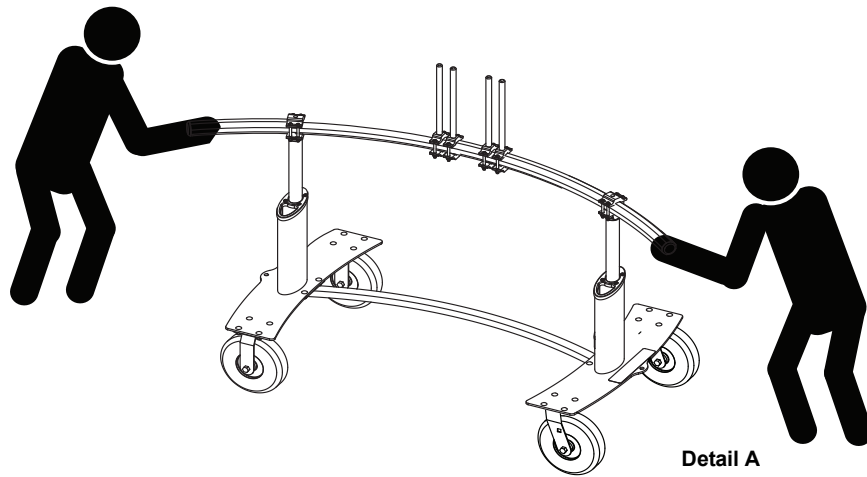
LOADING THE PERCUSSION CART

1. Always distribute loads evenly.
 2. Avoid off-center loads.
-

OPERATION (CONTINUED)

MOVING THE PERCUSSION CART

1. When the cart is left unattended, it must be placed in a secure position to avoid moving or rolling into vehicles, structures or people.
2. When pulling or pushing the Percussion Cart, always pull or push at about waist level or lower. Pushing above the main support bar can tip the Percussion Cart over. **(Detail A)**
3. If the Percussion Cart is heavily loaded, two people should always work together to move the cart in the direction of travel that the rigid casters can move freely. One person pushing at the rear and one person guiding at the front. Take care to avoid stationary objects or people standing in the path of the Percussion Cart.



CAUTION

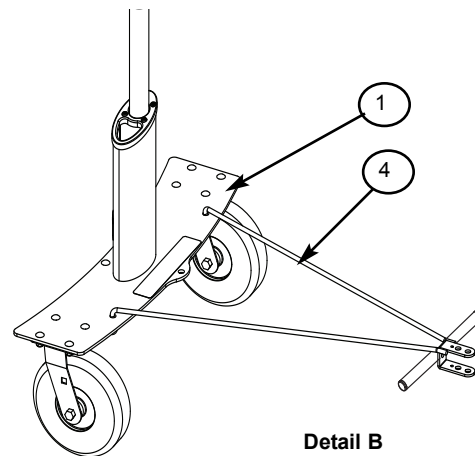
Never transport people or stand on the Percussion Cart.

4. A separate tow bar (#4) is provided that inserts into two holes in the percussion cart base (#1). The tow bar (#4) may also be used as a handle to pull the Percussion Cart manually or can be attached horizontally to a lawn and garden tractor. **(Detail B)**

CAUTION

When towing Percussion Cart, avoid tight turns which may result in the tow vehicle making contact with the cart or tow bar. Injury or damage may result.

Note: Towing speed is not to exceed 5 mph. No more than three carts are to be towed together. Abrupt stops with heavy loads may cause the tow bar to bend. The tow bar may be straightened if this happens.



5. When the tow bar is removed, store it out of the way so that it is not an obstruction or hazard.
6. If the Percussion Cart is transported in a vehicle, it must be braced or strapped to the vehicle so that it cannot move. Bracing must use tie-downs or straps specifically designed to prevent the Percussion Cart from moving in the vehicle. Remove objects or instruments that may be damaged during transport. Secure Percussion Cart at the lower frame. Pads or other protection against abrasion may be required.

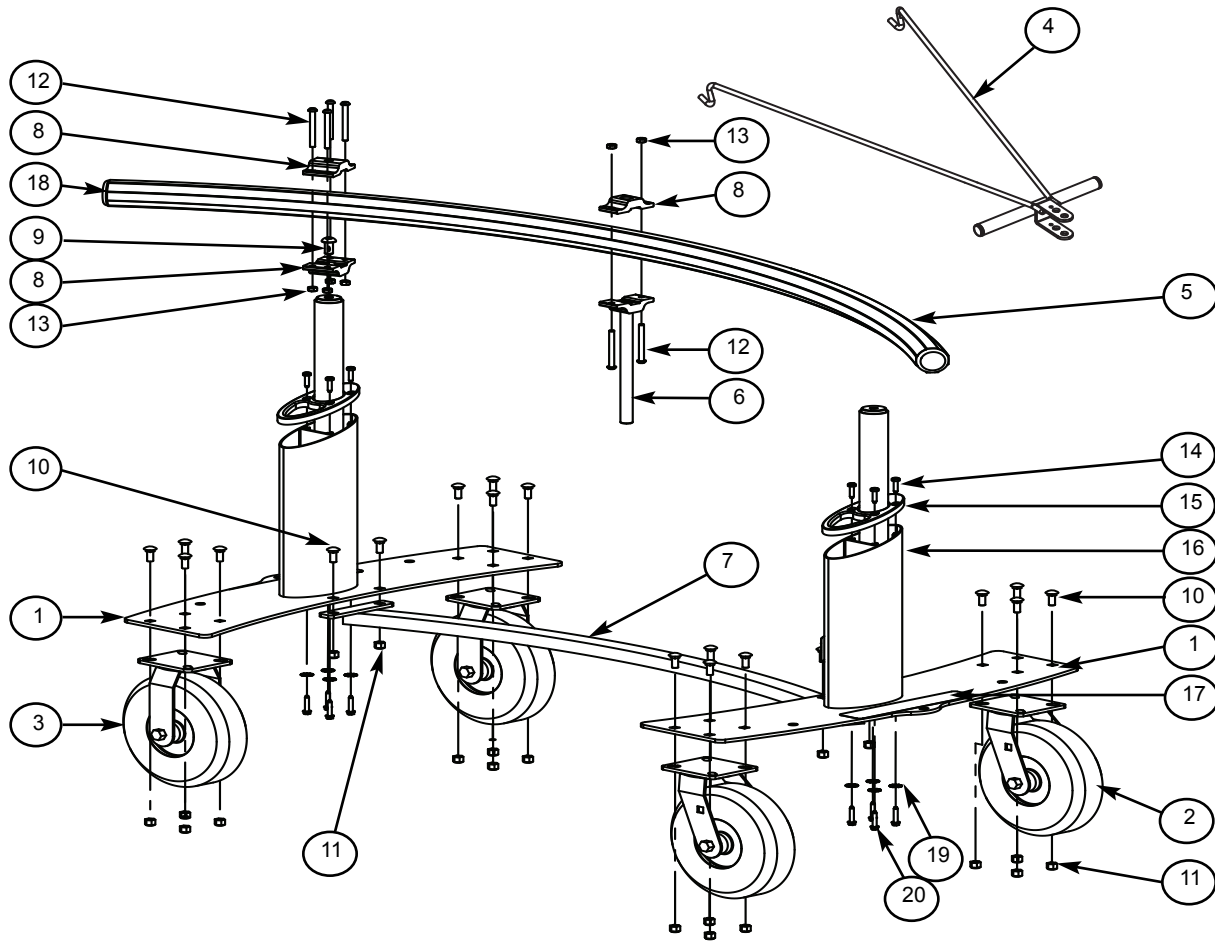
STORAGE

1. When leaving the Percussion Cart in a stationary position or in storage, block or secure casters to prevent the cart from moving and possibly causing damage.

MAINTENANCE

1. Clean the Percussion Cart with a mild detergent and warm water. Avoid using harsh or abrasive cleaning products.
2. Immediately replace any caster wheels that do not rotate or turn freely.
3. Immediately replace or repair any tire that develops a flat area.
4. Recommended tire pressure is 50 psi. Do not exceed the maximum tire pressure shown on the sidewall of the tire.
5. During heavy usage, periodically check and tighten item #4 for the clamp extrusions holding the curved extrusion.
6. Check all fasteners to be certain they are secure before use.
7. Grease zerks and bushings if required.

REPLACEMENT PART LIST



Item # Description

- 1 PERCUSSION CART BASE ASSEMBLY
- 2 SWIVEL CASTER, 9" DIAMETER
- 3 RIGID CASTER 9" DIAMETER
- 4 TOW BAR
- 5 CURVED TUBE EXTRUSION
- 6 PERCUSSION MOUNT ASSEMBLY
- 7 PERCUSSION CART SUPPORT
- 8 TUBE CLAMP EXTRUSION
- 9 SOCKET SCREW, 1/2-13x1
- 10 CARRIAGE BOLT, 3/8-16x1

Item # Description

- 11 LOCK NUT, 3/8-16
- 12 SOCKET SCREW, 5/16-18x3
- 13 LOCK NUT, 5/16-18
- 14 SELF TAP SCREW, 1/4-20x1, TORX
- 15 EXTRUSION CAP
- 16 UPRIGHT EXTRUSION
- 17 WENGER ONBOARD DECAL
- 18 PLUG, 2.00, BLACK
- 19 LOCK WASHER, 1/4"
- 20 SELF TAP SCREW, 1/4-20x1 1/4

