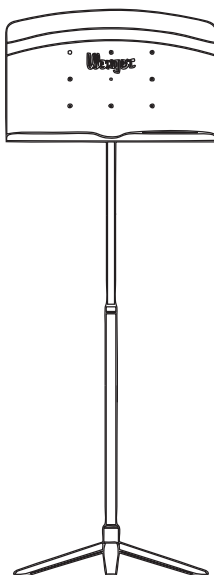
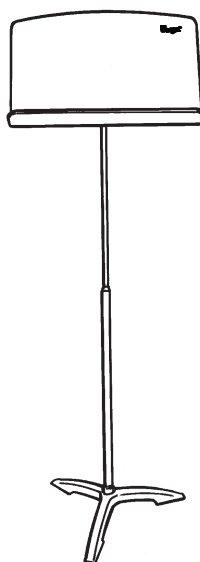


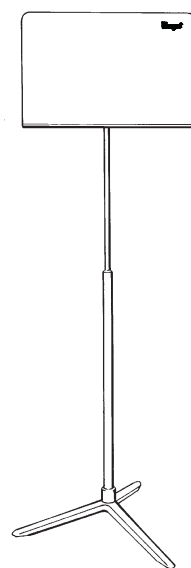
Preface Conductor's Stand



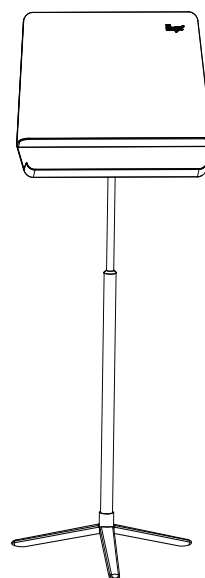
Preface Stand



Classic 50 Stand



Roughneck Stand



Bravo Stand

CONTENTS

CONTENTS	1
SAFETY	2
PARTS LIST	2
WARRANTY	3
USER INFORMATION	3
ASSEMBLY	4-5
OPERATION	6
STORAGE	6
MAINTENANCE	6

Note: Please read and understand the Assembly/Operating Instructions for the Stand model purchased before assembling the parts.

Note: Remove all items from the shipping cartons and arrange them in their approximate final position. Refer to the illustrations on the following pages. If you need additional information about your Music Stand, write or telephone Wenger Corporation at the number below.

SAFETY PRECAUTIONS

Throughout this manual you will find **CAUTIONS** and **WARNINGS** which are defined as follows.

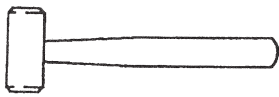
- **WARNING**; failure to follow the instruction may result in serious injury or death.
- **CAUTION**; failure to follow the instruction may result in serious injury or damage to property.

Note: Failure to comply with precautions in this section can result in serious injury.

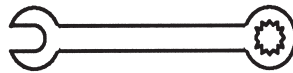
ASSEMBLY

- Make sure that anyone who helps assemble the Music Stand has read and understands this manual.

TOOLS REQUIRED



Plastic or Wood Mallet

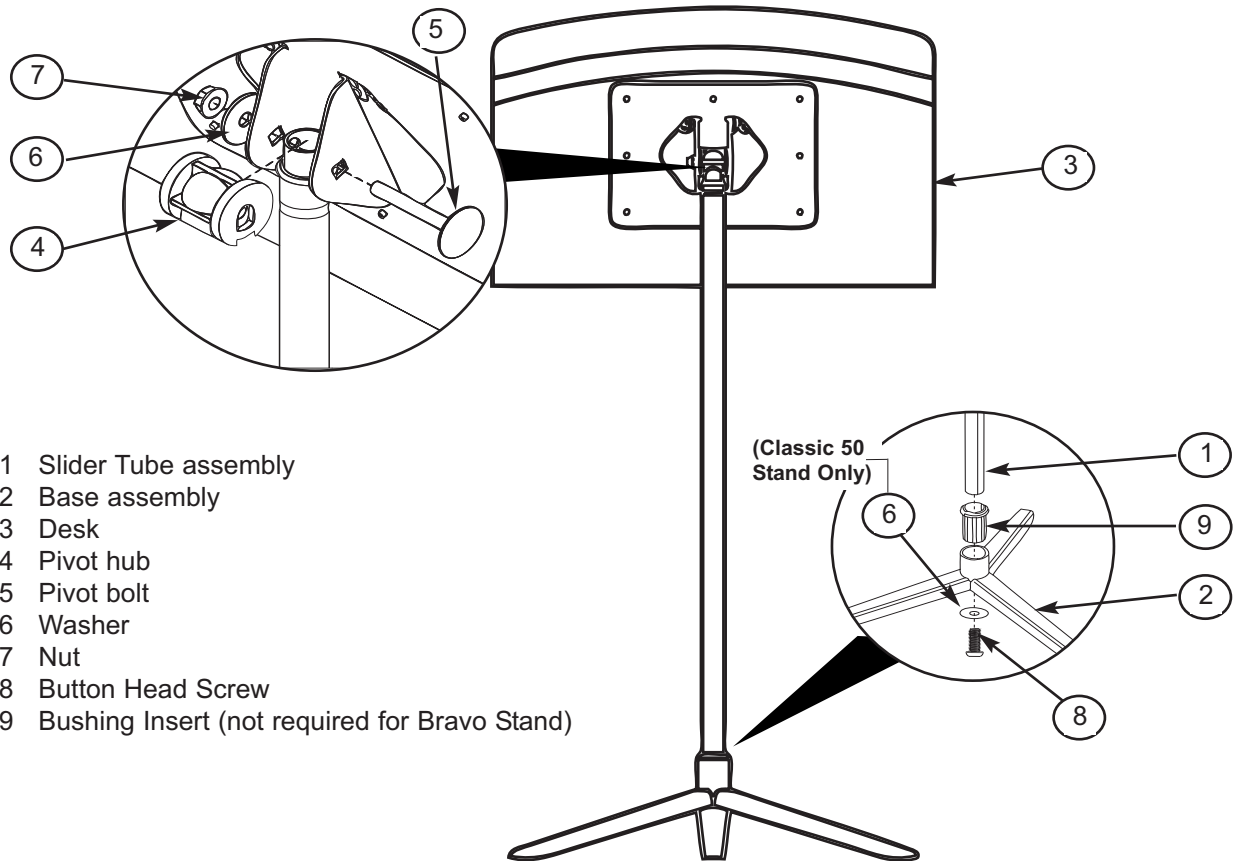


7/16" Box-end or Socket Wrench



5/32" (4 mm) Allen Wrench

PARTS LIST



- 1 Slider Tube assembly
- 2 Base assembly
- 3 Desk
- 4 Pivot hub
- 5 Pivot bolt
- 6 Washer
- 7 Nut
- 8 Button Head Screw
- 9 Bushing Insert (not required for Bravo Stand)

Preface Stand shown in view.

WARRANTY

The Music Stand is guaranteed free of defects in materials and workmanship for five full years.

Our guarantee assures you of either a full refund, repair or replacement of the defective materials or workmanship without charge, at the discretion of our Customer Service Department.

Call a Customer Service Representative at 1-800-887-7145 and state the reason you are dissatisfied. If a product return is necessary, your representative will issue a return authorization.

This is your sole remedy for breach of this warranty.

Should you have a question or problem with any Wenger product, don't hesitate to call, even if the product is past warranty. It's important to us that all our customers be satisfied.

This is the sole warranty made by Wenger. Wenger disclaims all other warranties, including the warranties of merchantability and fitness for a particular purpose, as well as all liability for incidental, consequential, special, and indirect damage. Wenger liability for direct damages shall be limited to the amount you paid for the product involved. Wenger reserves the right to make product changes without obligation to incorporate such changes into products previously sold.

Some states do not allow the exclusion or limitation of damages or warranties, so the above may not apply to you. This warranty gives you specific legal rights. You may also have other rights which vary from state to state.

IMPORTANT USER INFORMATION

GENERAL

Copyright® 2009 by Wenger Corporation

All rights reserved. No part of the contents of this manual may be reproduced, copied, or transmitted in any form or by any means including graphic, electronic, or mechanical methods or photocopying, recording, or information storage and retrieval systems without the written permission of the publisher, unless it is for the purchaser's personal use.

Printed and bound in the United States of America.

The information in this manual is subject to change without notice and does not represent a commitment on the part of Wenger Corporation. Wenger Corporation does not assume any responsibility for any errors that may appear in this manual.

In no event will Wenger Corporation be liable for technical or editorial omissions made herein, nor for direct, indirect, special, incidental, or consequential damages resulting from the use or defect of this manual.

The information in this document is not intended to cover all possible conditions and situations that might occur. The end user must exercise caution and common sense when assembling or installing Wenger Corporation products. If any questions or problems arise, call Wenger Corporation at 1-800-733-0393.

MANUFACTURER

The Music Stands are manufactured by:

Wenger Corporation

555 Park Drive

Owatonna, MN 55060

1-507-455-4100 • 1-800-733-0393

www.wengercorp.com

INTENDED USE

- This product is intended for indoor use in normal ambient temperature and humidity conditions — it must not be exposed to prolonged outside weather conditions.
- This product is intended to be assembled only as described in these instructions.

ASSEMBLY

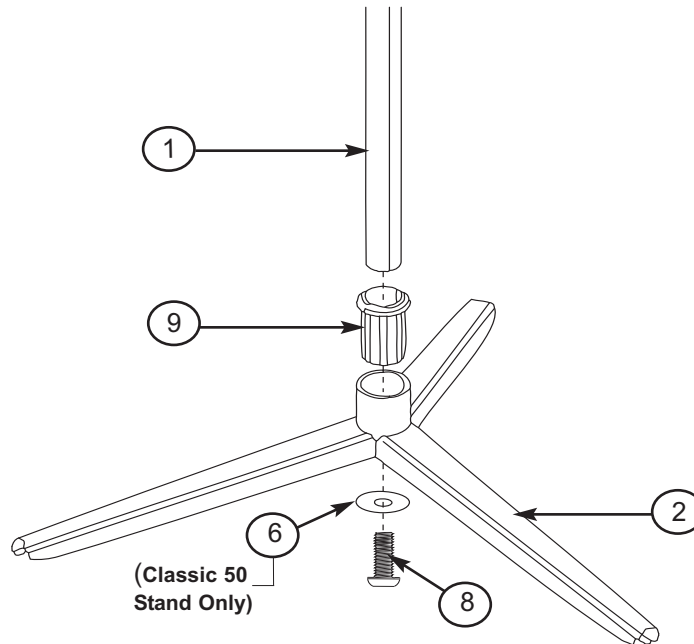
BASE ASSEMBLY

1. Slide the bushing insert (9) into the base (2). Tap the bushing with a plastic or wooden mallet to ensure it is secured tightly in the base.
Note: If assembling the Bravo Stand, the bushing is not required.
2. Push the slider tube (1) into the base.
Note: The base may be tapped with a plastic or wooden mallet until the slider tube is all the way to the bottom of the base.
3. With the bottom side of the base up, use the 1/4"-20 attachment screw (8) to attach the base to the end of the slider tube assembly.

Note: If assembling a Classic 50 Stand, place washer (6) on the attachment screw (8) and complete step 3.

WARNING: The slider should be held by hand when tapping on the base. Forcing the inner tube inside of the outer tube at the bottom can permanently damage the friction device and the internal mounting hardware.

4. Hand tighten the 1/4"-20 screw (8) using a 5/32" allen wrench until the slider tube and insert no longer rotate inside of the base (2). Do not over tighten the screw. If the tube and insert fit tight without tightening the screw, hand tighten the screw with the wrench until the head contacts the bottom of the base, then tighten the screw 1/2 turn more.

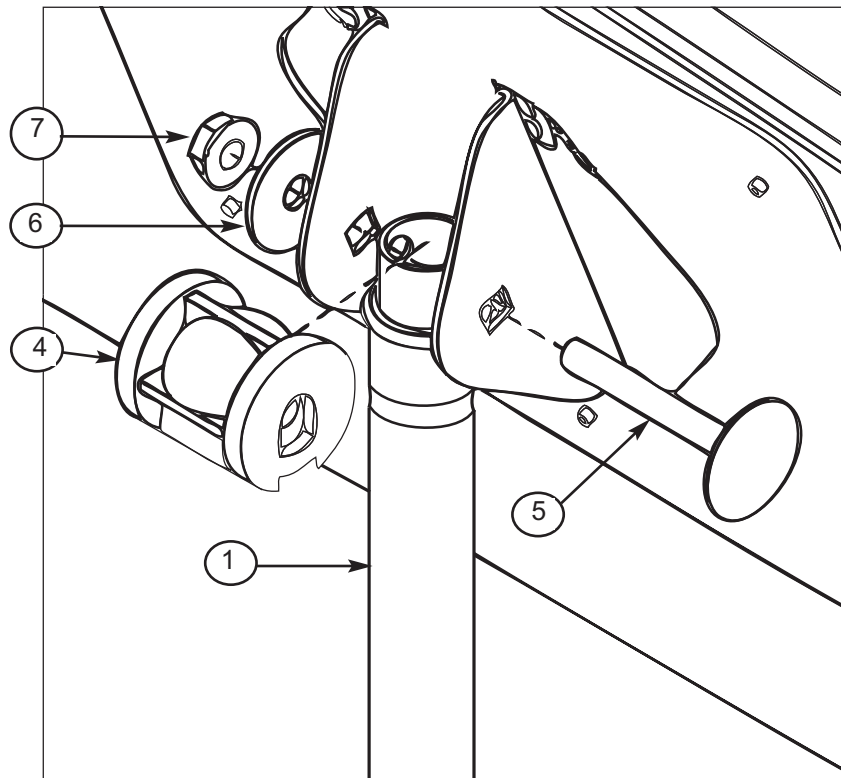


Note: The Classic 50 is shown in the illustration for clarity. Repeat the steps for the second leg of the Preface Conductor's Stand.

ASSEMBLY CONTINUED

DESK MOUNT ASSEMBLY

5. Extend the inner tube of the Slider Tube assembly (1) about 3 or 4 inches to allow easy installation of the pivot hub. To help initiate the extension of inner tube, the Pivot Bolt (5) or 5/32" (4 mm) Allen Wrench may be inserted through the hole at the end of the inner tube and used as a handle to extend the tube as necessary to mount the desk. A pair of pliers may also be used to grasp the wall of the inner tube to aid in extending it.
6. Place pivot hub (4) over the tube assembly.
7. Align holes of tube assembly with pivot hub and install the pivot bolt (5), washer (6) and nut (7). The square shoulder of the pivot bolt must slip into the square hole on desk flange.
Note: Lift the desk and extend the slider tube assembly (1) to be sure the bolt has passed through the tube.
8. Tighten the nut using a 7/16" box-end wrench or socket wrench to adjust the desk pivot tension, as desired.
9. The inner surface of the outer tube of the Slider Tube assembly is lubricated with a high-pressure grease to extend the life of the slider and to prevent corrosion during shipping and storage. Wipe off any excess assembly grease from the inner tube with a rag or paper towel as necessary. This should only be necessary the first time the inner tube is fully extended.



Note: The Preface Stand is shown in the illustration for clarity. Repeat the steps for the second slider tube assembly of the Preface Conductor's Stand.

OPERATION

Use the Music Stand with care. Always observe the precautions listed on page 2 of this document.
Failure to comply with the safety precautions on page 2 can result in serious injury.

1. Move the inner tube of the Music Standup or down to adjust the height of the desk.
2. Pivot the desk to the desired angle. **Note:** The tension for the desk angle can be tightened by adjusting the nut on the pivot bolt.

STORAGE

Storage of the Music Stands is available by using the following accessories;

Large Stand Move and Store Cart

- 039B202 38 lbs (17 kg).
- Holds 20 Preface Standwithout flipping desk. Maximize cart storage by flipping desk, holds 22.
- Holds 22 Roughneck Stands.
- Holds 18 Bravo Stands.
- Large center pivot wheels for maneuverability.
- Loads and unloads from both ends.

Small Stand Move and Store Cart

- 039B201 21 lbs (9.45 kg).
- Holds 10 Preface Standwithout flipping desk. Maximize cart storage by flipping desk, holds 11.
- Holds 11 Roughneck Stands.
- Holds 9 Bravo Stands
- Two-wheel cart design allows transport up and down stairs.

MAINTENANCE

1. Clean the Music Stand with a mild detergent. Avoid using harsh or abrasive cleaning products.
2. Never apply oil or any lubricant to the height adjustment tube.
3. Periodically check fasteners to ensure that they have not loosened during use.