

### CONTENTS

WARRANTY .....	1
USER INFORMATION .....	2
PART/FASTENER LIST .....	2
LOCKER CLOSURE PANEL CONFIGURATIONS .....	4
INSTALLATION .....	5-7

### WARRANTY

The Locker Closure Kit is guaranteed free of defects in materials and workmanship for five full years.

Our guarantee assures you of either a full refund or repair or replacement of the defective materials or workmanship without charge, at the discretion of our Customer Service Department.

Just call a Customer Service Representative at 1-800-887-7145 and state the reason you are dissatisfied. If a product return is necessary, your representative will issue a return authorization.

This is your sole remedy for breach of this warranty.

Should you have a question or problem with any Wenger product, don't hesitate to call, even if the product is past warranty. It's important to us that all our customers be satisfied.

This is the sole warranty made by Wenger. Wenger disclaims all other warranties, including the warranties of merchantability and fitness for a particular purpose, as well as all liability for incidental, consequential, special, and indirect damage. Wenger liability for direct damages shall be limited to the amount you paid for the product involved. Wenger reserves the right to make product changes without obligation and to incorporate such changes into products previously sold.

Some states do not allow the exclusion or limitation of damages or warranties, so the above may not apply to you. This warranty gives you specific legal rights. You may also have other rights which vary from state to state.

# IMPORTANT USER INFORMATION

---

## GENERAL

Copyright® 2008 by Wenger Corporation

All rights reserved. No part of the contents of this manual may be reproduced, copied, or transmitted in any form or by any means including graphic, electronic, or mechanical methods or photocopying, recording, or information storage and retrieval systems without the written permission of the publisher, unless it is for the purchaser's personal use.

Printed and bound in the United States of America.

The information in this manual is subject to change without notice and does not represent a commitment on the part of Wenger Corporation. Wenger Corporation does not assume any responsibility for any errors that may appear in this manual.

In no event will Wenger Corporation be liable for technical or editorial omissions made herein, nor for direct, indirect, special, incidental, or consequential damages resulting from the use or defect of this manual.

The information in this document is not intended to cover all possible conditions and situations that might occur. The end user must exercise caution and common sense when assembling or installing Wenger Corporation products. If any questions or problems arise, call Wenger Corporation at 1-800-733-0393.

## MANUFACTURER

The Locker Closure Kit is manufactured by:

Wenger Corporation  
555 Park Drive  
Owatonna, MN 55060  
1-507-455-4100 • 1-800-733-0393  
www.wengercorp.com

## INTENDED USE

- This product is intended for indoor use in normal ambient temperature and humidity conditions.
- This product is intended to be used only as described in these instructions.

## BEFORE YOU BEGIN

---

Before installing the Locker Closure Kit, do the following:

- Read and understand the installation/operating instructions.
- Remove all items from the shipping carton and arrange the parts similar to the diagram below.
- Make sure that all parts are present.

## TOOLS REQUIRED

---

- Pencil
- Carpenter's Square
- Tape Measure
- Power Saw
- Hacksaw
- Electric Drill with Phillips-head Screw Bit (Alternative - Phillips Screwdriver)

## FASTENER/PARTS

---

### FASTENERS USED FOR ASSEMBLY

#### Item Description

- 1 Sheet Metal Screw, #8-15 x 1 1/2
- 2 Sheet Metal Screw, #8 x 5/8

### PARTS LIST

#### Item Description

- 3 Wood Panel, 8' x 4'
  - 4 Metal Stud, 2" x 4" x 8'
  - 5 Plastic Extrusion Strip, 8'
  - 6 Plastic Corner Plate
-

## **INSTALLATION PREPARATION**

---

1. Be sure the locker(s) are in their exact desired location, and are level and square, before you start to install the closure panel(s).
2. A Closure Panel Kit includes a 8' x 4' panel. For smaller spaces, you will need to cut the panel to size.

**Note:** Wenger does not recommend using the closure panels to fill spaces larger than 32" wide, except in the situations shown in these instructions.

3. If the installation requires attachment to a wall see information below regarding fastener guidelines.
4. Closure panels alongside cabinets should be installed 9" from the wall. The top edge of all vertical closure panels should be installed flush with the top of the cabinet.
5. The illustrations on page 4 show the normal location where the 3/4" x 8' plastic extrusion strips are used. However, they can be installed on any edges of the closure panel(s) where desirable for a more finished appearance.
6. The assembly procedure shows a typical installation of a vertical closure panel between a cabinet and a the wall. The installation procedure for other situations are similar. Refer to the appropriate illustration on page 4 while you follow the step-by-step procedure.

## **FASTENER GUIDELINES**

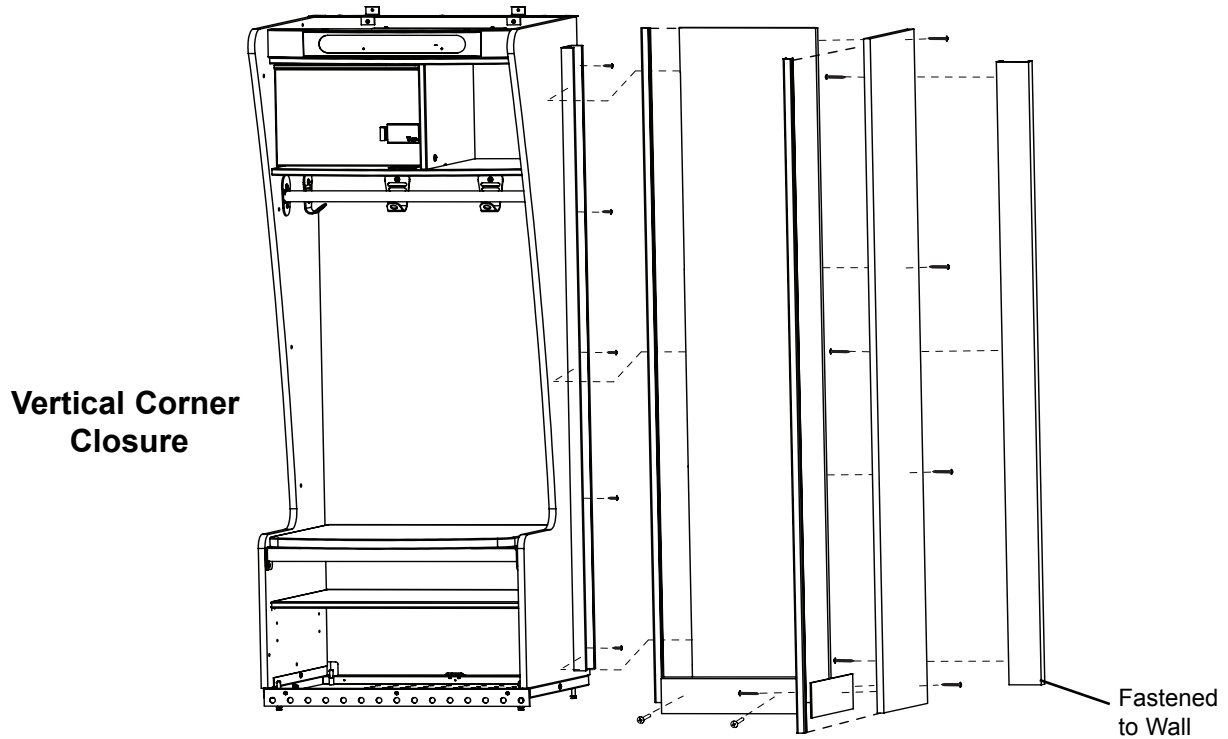
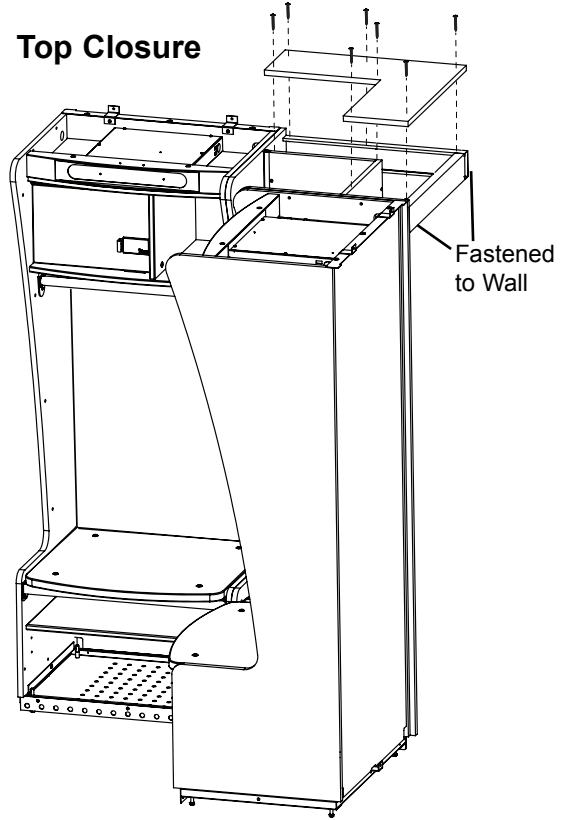
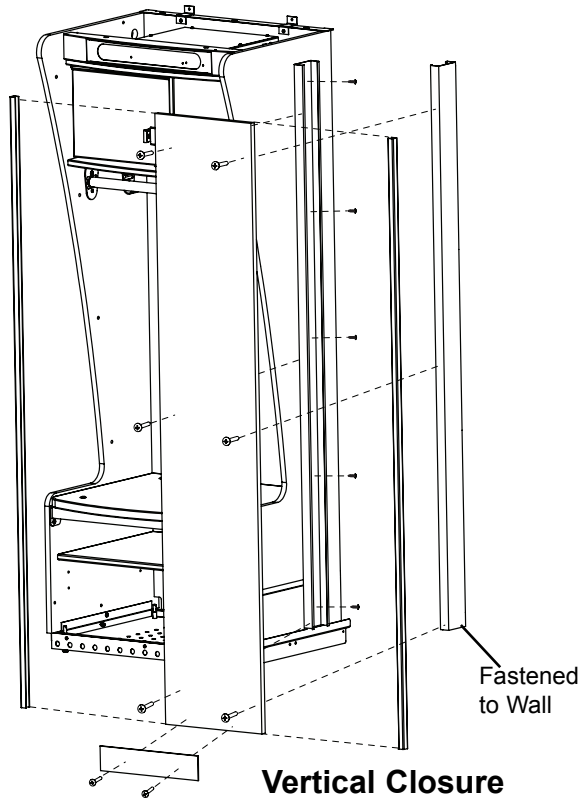
---

Because materials and construction of floors and walls can vary, fasteners for attaching the Locker Closure Panels to the structure are not provided. The installer must choose the appropriate fastener and follow the manufacturer's directions.

Locker Closure Panel fastener guidelines:

- If the wall is wood or metal stud-and-drywall construction, attachment should be by sheet rock screw or sheet metal screw into every stud.
- If the wall is concrete construction, attachment should be by Concrete screw (Tapcon) or toggle bolt (1/4" minimum), spaced no more than 16" apart.

# LOCKER CLOSURE PANEL CONFIGURATIONS



# INSTALLATION

1. Carefully measure the size of the opening to be filled. (figure A)

**Note:** The width of the opening may not be the same at the top and bottom.

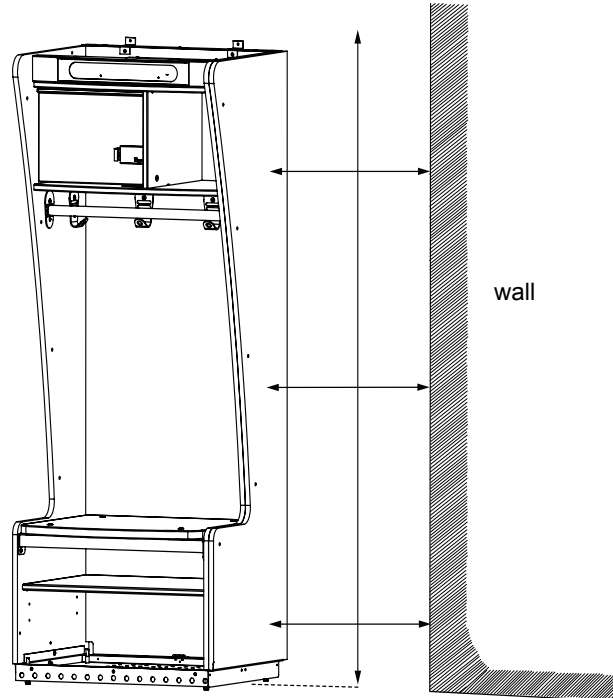


figure A

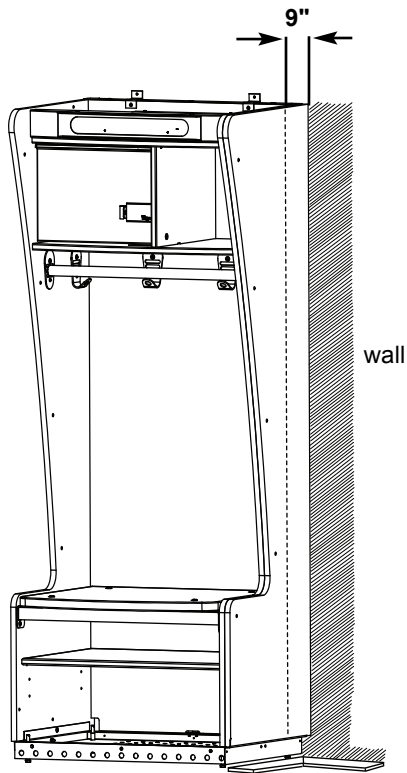


figure B

2. Mark locations of all metal studs (item 4). (figure B)

**Note:** Use a carpenter's square.

# INSTALLATION (CONTINUED)

3. Cut the 2" x 4" metal studs (item 4) to size (cut all vertical studs to 72")
4. Attach the metal studs to the locker using five #8 x 5/8" screws (item 2). Install the vertical metal studs 3" down from the top of the locker. (figure C)
5. Using the appropriate fasteners, attach the metal stud to the wall at the same height as the stud attached to the locker.

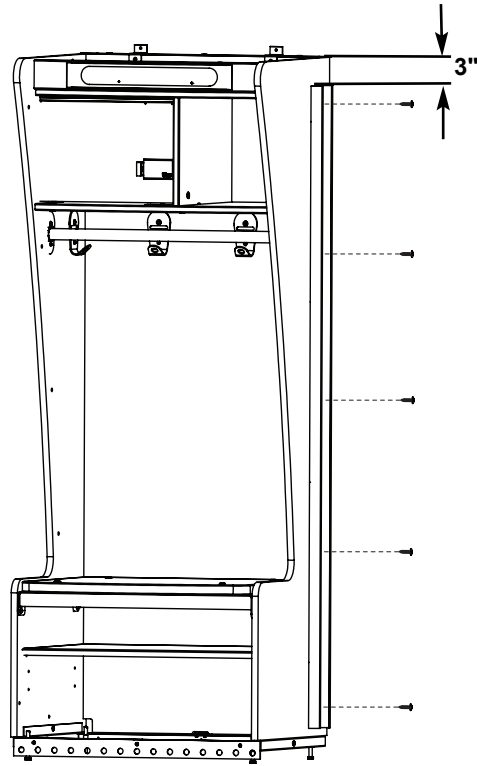


figure C

Cut flush with the top of the locker.

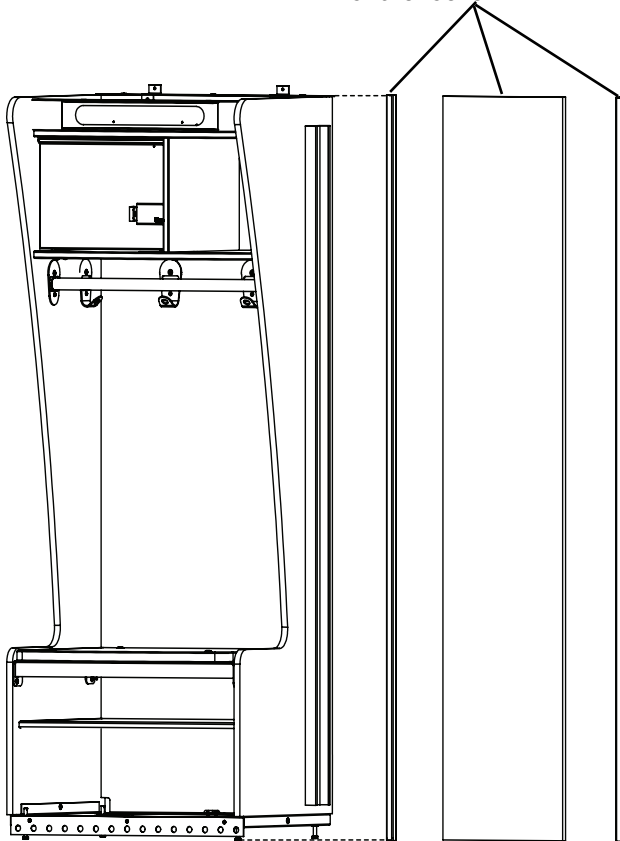


figure D

6. Cut the Closure panel (item 3) and extrusion strips (item 5) to size. (figure D)

**Note:** Cut panel 1/4" narrower than opening.

7. Slip the extrusion strips onto the edge(s) of the closure panel.

## INSTALLATION (CONTINUED)

8. Attach the closure panel (item 3) to the metal studs (item 4) using four #8-15 x 1 1/2" screws (item 1).

**Note:** Loosely tighten the screws. Push extrusions (item 5) out against the locker(s) or wall, then finish tightening the screws to hold the extrusion in place.

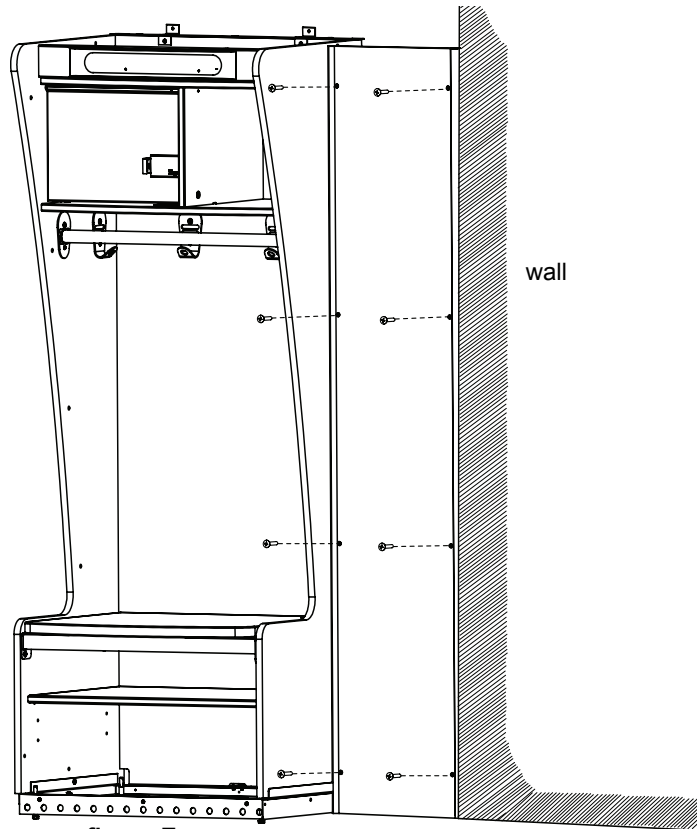


figure E

9. Attach the plastic corner plate (item 6) to the bottom of the closure panel (item 3) using two #8 x 5/8" screws (item 2). (figure F)

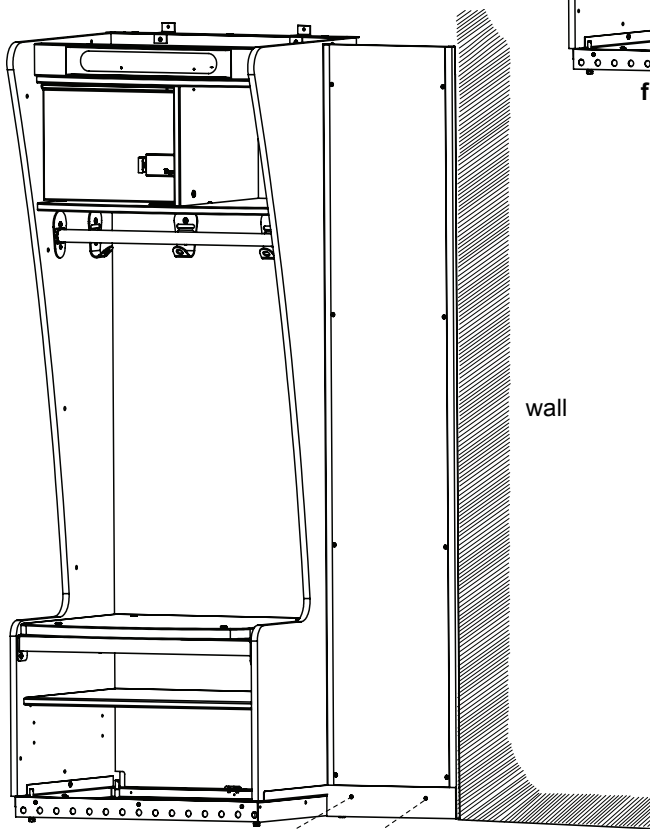


figure F