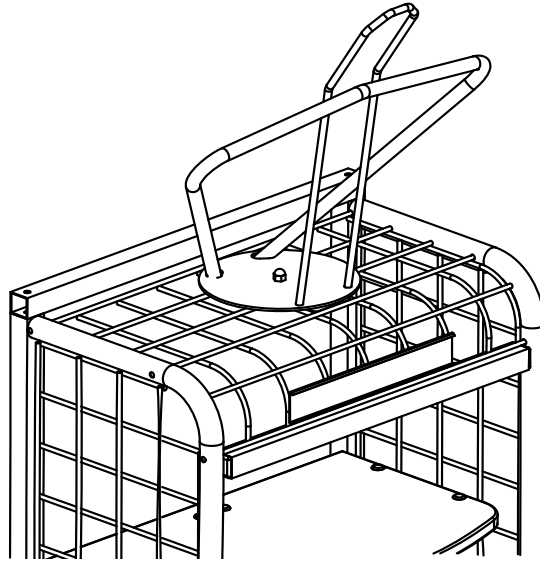




# Assembly/Owner's Manual

## AirPro Locker Non-Powered Pad Dryer Accessory



- Note:** Please read and understand the AirPro Locker Non-Powered Pad Dryer Accessory Owner's Manual before attempting installation, assembly, or use.
- Note:** Remove all items from the shipping containers and sort the components by type, size, etc. Refer to the illustrations on the following pages. If you need additional information about your AirPro Locker Non-Powered Pad Dryer Accessory, contact the Wenger Corporation using the information listed below.

## WARRANTY

The GearBoss AirPro Locker Non-Powered Pad Dryer Accessory is guaranteed free of defects in materials and workmanship for five full years.

Our guarantee assures you of either a full refund or repair or replacement of the defective materials or workmanship without charge, at the discretion of our Customer Service Department. Just call a Customer Service Representative at 1-800-887-7145 and state the reason you are dissatisfied. If a product return is necessary, your representative will issue a return authorization. This is your sole remedy for breach of this warranty.

Should you have a question or problem with any Wenger product, don't hesitate to call, even if the product is past warranty. It's important to us that all our customers be satisfied.

This is the sole warranty made by Wenger. Wenger disclaims all other warranties, including the warranties of merchantability and fitness for a particular purpose, as well as all liability for incidental, consequential, special, and indirect damage. Wenger liability for direct damages shall be limited to the amount you paid for the product involved. Wenger reserves the right to make product changes without obligation to incorporate such changes into products previously sold.

Some states do not allow the exclusion or limitation of damages or warranties, so the above may not apply to you. This warranty gives you specific legal rights. You may also have other rights which vary from state to state.

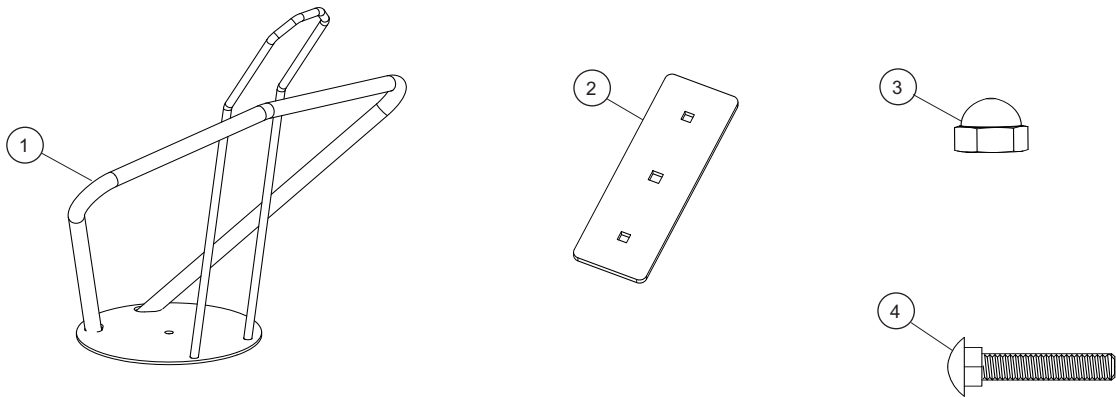
# REQUIRED TOOLS

---

- 9/16" Combination Wrench

# PARTS LIST

---



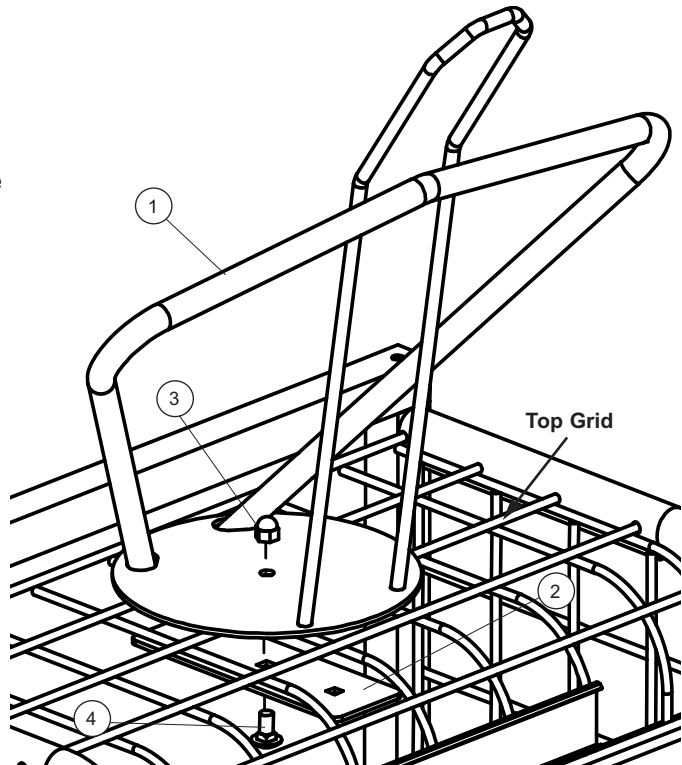
| <u>Item</u> | <u>Qty</u> | <u>Description</u>           |
|-------------|------------|------------------------------|
| 1           | 1          | NON-POWERED PAD DRYER        |
| 2           | 1          | PAD DRYER PLATE              |
| 3           | 1          | NUT, 3/8-16                  |
| 4           | 1          | CARRIAGE BOLT, 3/8-16 X 3/4" |

# NON-POWERED PAD DRYER INSTALLATION

1. Position the AirPro Locker Non-Powered Pad Dryer (#1) on top of the locker.

**Note:** The Pad Dryer will not be centered on the locker.

2. Align the center hole of the Pad Dryer Plate (#2) with the hole in the bottom of the Pad Dryer (#1). The Pad Dryer Plate is to be located on the inside of the Locker at the Top Grid.
3. Insert the Carriage Bolt, 3/8-16 x 3/4 (#4) through the Pad Dryer Plate (#2), Top Grid and bottom of the Pad Dryer (#1).
4. Secure the Carriage Bolt (#4) with Acorn Nut, 3/8-16 (#3). Hand tighten the Bolt and Nut.



5. Turn the Non-Powered Pad Dryer into the desired position to store the pads. Tightened the Acorn Nut (#3) snugly to secure the position.

