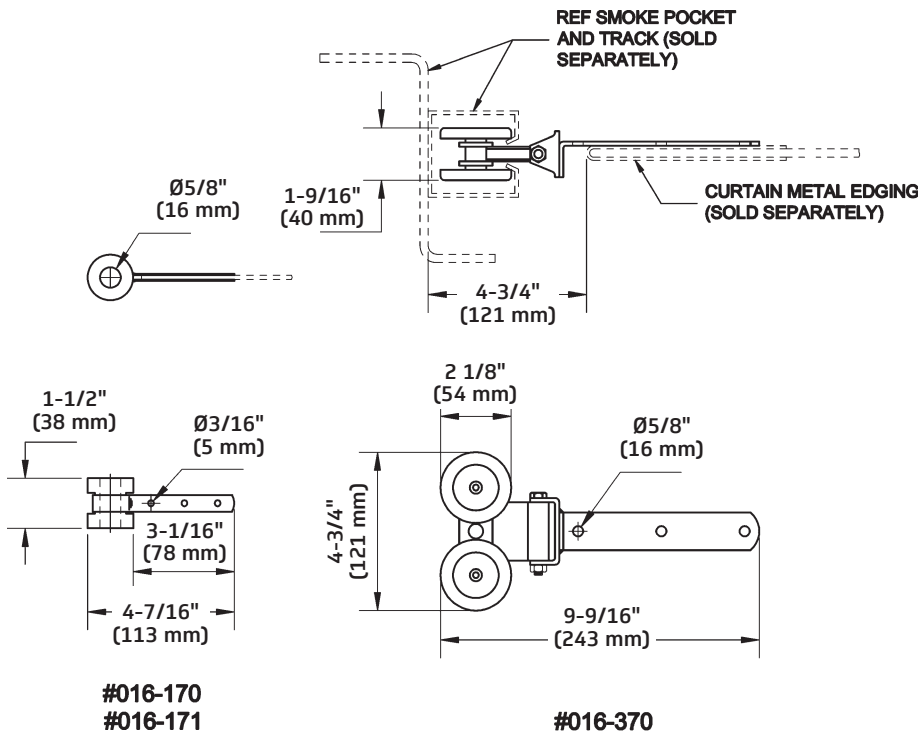


Curtain Guides

- Curtain guides are used on the edges of fire curtains and other curtains to guide the curtains along tensioned wire ropes or in tracks; this reduces the bowing from unequal pressure on the opposite sides of the curtain
- Bronze guides are traditional and are necessary for fire safety curtains
- The ultra-high molecular weight (UHMW) plastic guides are lighter in weight and quieter in operation; these are not recommended for use on fire curtains, but are very useful for guided stage curtains to control movement and to prevent hour glassing
- Roller guides are used with tracks for heavier duty applications; see the fire curtain smoke pockets web page for information on smoke pockets with guide tracks for use with roller guides
- Three-year warranty against defects in materials or workmanship is provided on all J.R. Clancy equipment, additional warranty information is available at jrclancy.com

Dimensions



**Curtain Guide, Bronze Spool
016-170**



**Curtain Guide, UHMW Spool
016-171**



**Curtain Guide, Steel Rollers
016-370**

Order Information

Number	Description
016-170	Curtain Guide Bronze Spool
016-171	Curtain Guide UHMW Spool (Not for Fire Safety Curtain Use)
016-370	Curtain Guide Steel Rollers (Requires steel hem reinforcement)

