

Tension Floor Blocks

- Used as the return pulley for the hand line in J-Guide or T-Bar manual counterweight sets
- Minimum 40 lb (18.1 kg) weight to properly tension the handline
- Kick tab permits easy readjustment of the block
- ASTM Class 30 grey iron sheave
- Sealed precision 17 mm ball bearings
- Steel shoes
- Special grooves and shoe sizes available, consult factory
- Also known as "Welch" tension blocks, after the J.R. Clancy employee who developed the block in 1925
- Three-year warranty against defects in materials or workmanship is provided on all J.R. Clancy equipment, additional warranty information is available at jrclancy.com

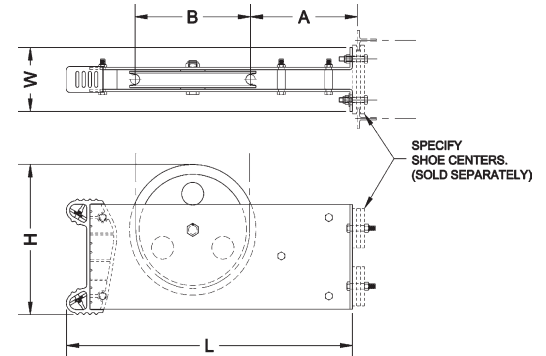


**Tension Floor Block
600-11015C100**

Dimensions

Nominal Sheave Diameter	Dim. L	Dim. H	Dim. W	Dim. A*	Dim. B
10" (254 mm)	23" (584 mm)	11-7/16" (291 mm)	4-7/8"+ (124 mm)	8-1/8" (206 mm)	9-3/4" (248 mm)
12" (305 mm)	23" (584 mm)	12-7/16" (316 mm)	4-7/8" (124 mm)	7-7/16" (189 mm)	11-1/8" (283 mm)

*Nominal distance from face of guides.
+Consult factory for "W" dimensions of 600-11015C75U, 600-11015C100U.



Order Information

Number	Sheave Diameter	Groove	Set Centers	Weight
600-11015C75	10" (254 mm)	3/4" (19 mm)	6" or 8" (152 or 203 mm)	41 lb (18.6 kg)
600-11015C75U	10" (254 mm)	3/4" (19 mm)	Less than 6" (152 mm) - specify centers	43 lb (19.5 kg)
600-11215C75	12" (305 mm)	3/4" (19 mm)	6" or 8" (152 or 203 mm)	48 lb (21.8 kg)
600-11015C100	10" (254 mm)	1" (25 mm)	6" or 8" (152 or 203 mm)	41 lb (18.6 kg)
600-11015C100U	10" (254 mm)	1" (25 mm)	Less than 6" (152 mm) - specify centers	43 lb (19.5 kg)
600-11215C100	12" (305 mm)	1" (25 mm)	6" or 8" (152 or 203 mm)	48 lb (21.8 kg)

