

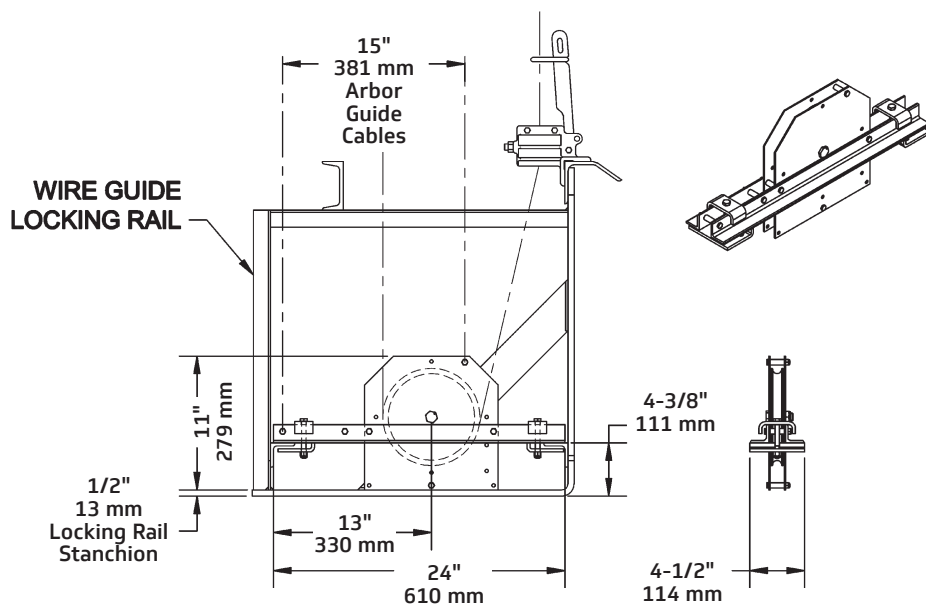
Wire Guide Floor Blocks

- Used with wire guide locking rail;
Due to their limited travel, wire guided sets can use this economical fixed floor block
- 8" (203 mm) diameter nylon or ASTM Class 30 grey iron sheave, grooved for 3/4" (19 mm) rope
- Sealed precision 17 mm (.67") ball bearings
- 12 gauge (3 mm) side plates fully enclose sheave
- Additional spacers are provided for arbor guide wire attachment
- Floor block clip package includes mounting hardware for attachment to 011-518 locking rails
- Three-year warranty against defects in materials or workmanship is provided on all J.R. Clancy equipment, additional warranty information is available at jrclancy.com



Wire Guide Floor Block
600-10855C75

Dimensions



Order Information

Number	Sheave Diameter	Material	Weight
600-10855C75	8" (203 mm)	Cast Iron	18 lb (8.2 kg)
600-10855N75	8" (203 mm)	Nylon	15 lb (6.8 kg)
070-FBCP	-	Floor Block Clip Package	3.5 lb (1.6 kg)

