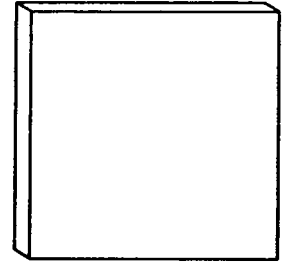


Interactive Acoustical Panels

Absorber Panels

Panel fabric covering utilizes the Guilford of Maine company, model FR701, style 2100, and consists of 49 colors including oyster. We can accommodate non-standard styles and colors pending manufacturing approval, contact Wenger for additional information.

- Manufacturer's standard construction of 3" (8 cm), 6 pcf, glass fiber board, hardened resin edges, covered with Class A fabric according to NFPA 101 Life Safety Code Requirements.
- Corner brackets to receive mounting hardware.
- Five-year warranty.



Absorber Panel

Wall Absorber Panels

Nominal Dimensions:

2' x 2' x 3" (61 x 61 x 8 cm)

2' x 3' x 3" (61 x 92 x 8 cm)

2' x 4' x 3" (61 x 122 x 8 cm)

2' x 5' x 3" (61 x 153 x 8 cm)

2' x 6' x 3" (61 x 183 x 8 cm)

2' x 8' x 3" (61 x 244 x 8 cm)

3' x 3' x 3" (92 x 92 x 8 cm)

3' x 4' x 3" (92 x 122 x 8 cm)

3' x 5' x 3" (92 x 153 x 8 cm)

3' x 6' x 3" (92 x 183 x 8 cm)

3' x 8' x 3" (92 x 244 x 8 cm)

4' x 4' x 3" (122 x 122 x 8 cm) (shown)

4' x 5' x 3" (122 x 153 x 8 cm)

4' x 6' x 3" (122 x 183 x 8 cm)

4' x 8' x 3" (122 x 244 x 8 cm)

Actual Dimensions:

23³/₁₆" x 23³/₁₆" x 3" (59 x 59 x 8 cm)

23³/₁₆" x 35³/₁₆" x 3" (59 x 89 x 8 cm)

23³/₁₆" x 46⁷/₈" x 3" (59 x 119 x 8 cm)

23³/₁₆" x 59⁷/₈" x 3" (59 x 152 x 8 cm)

23³/₁₆" x 70⁷/₈" x 3" (59 x 180 x 8 cm)

23³/₁₆" x 94⁷/₈" x 3" (59 x 241 x 8 cm)

35³/₁₆" x 35³/₁₆" x 3" (89 x 89 x 8 cm)

35³/₁₆" x 46⁷/₈" x 3" (89 x 119 x 8 cm)

35³/₁₆" x 58⁷/₈" x 3" (89 x 150 x 8 cm)

35³/₁₆" x 70⁷/₈" x 3" (89 x 180 x 8 cm)

35³/₁₆" x 94⁷/₈" x 3" (89 x 241 x 8 cm)

46⁷/₈" x 46⁷/₈" x 3" (119 x 119 x 8 cm) (shown)

46⁷/₈" x 58⁷/₈" x 3" (119) x 150 x 8 cm)

46⁷/₈" x 70⁷/₈" x 3" (119 x 180 x 8 cm)

46⁷/₈" x 94⁷/₈" x 3" (119 x 241 x 8 cm)

Custom sizes available in 1/2" increments.

Ceiling Absorber Panels

Nominal Dimensions:

2' x 2' x 3" (61 x 61 x 8 cm)

2' x 3' x 3" (61 x 92 x 8 cm)

2' x 4' x 3" (61 x 122 x 8 cm)

3' x 3' x 3" (92 x 92 x 8 cm)

3' x 4' x 3" (92 x 122 x 8 cm)

4' x 4' x 3" (122 x 122 x 8 cm)

Actual Dimensions:

23³/₁₆" x 23³/₁₆" x 3" (59 x 59 x 8 cm)

23³/₁₆" x 35³/₁₆" x 3" (59 x 89 x 8 cm)

23³/₁₆" x 47" x 3" (59 x 119 x 8 cm)

35³/₁₆" x 35³/₁₆" x 3" (89 x 89 x 8 cm)

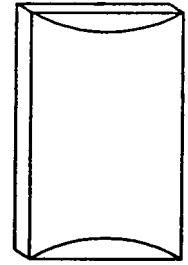
35³/₁₆" x 47" x 3" (89 x 119 x 8 cm)

47" x 47" x 3" (119 x 119 x 8 cm)

Wall Diffuser Panels:

Panel fabric covering utilizes the Guiford of Maine Company, Model FR701, Style 2100, Series of fabric, and consists of 49 colors, including oyster. We can accommodate non-standard styles and colors pending manufacturing approval. Contact Wenger for additional information.

- Corners are reinforced with diagonal supports, which also provide a secure anchor for the mounting hardware.
- Constructed of Class A material according to NFPA 101 Life Safety Code Requirements.
- Five-year warranty.

**Type I Convex Wall Diffusers:**

- Manufacturer's standard construction of thermo molded plastic, 0.125" (3 mm) material thickness. Recyclable.

Type 1 Wall Diffuser Panels	
Nominal Dimensions:	Actual Dimensions:
<u>2' x 2' x 4³/₄" (61 x 61 x 12 cm)</u>	<u>22³/₄" x 22³/₄" x 4³/₄" (58 x 58 x 12 cm)</u>
<u>3' x 3' x 5²⁹/₃₂" (92 x 92 x 15 cm)</u>	<u>35¹/₄" x 35¹/₄" x 5²⁹/₃₂" (90 x 90 x 15 cm)</u>
<u>3' x 4' x 5²⁹/₃₂" (92 x 122 x 15 cm)</u>	<u>35¹/₄" x 47" x 5²⁹/₃₂" (90 x 119 x 15 cm)</u>
<u>3' x 6' x 5²⁹/₃₂" (92 x 183 x 15 cm)</u>	<u>35¹/₄" x 71" x 5²⁹/₃₂" (90 x 180 x 15 cm)</u>
<u>4' x 2' x 4⁷/₈" (122 x 61 x 12 cm) (shown)</u>	<u>47" x 23¹/₂" x 4⁷/₈" (119 x 60 x 12 cm) (shown)</u>
<u>4' x 3' x 5⁷/₈" (122 x 92 x 15 cm)</u>	<u>47" x 35¹/₄" x 5⁷/₈" (119 x 90 x 15 cm)</u>
<u>4' x 4' x 7³/₈" (122 x 122 x 19 cm)</u>	<u>47" x 47" x 7³/₈" (119 x 119 x 19 cm)</u>
<u>4' x 6' x 7³/₈" (122 x 183 x 19 cm)</u>	<u>47" x 71" x 7³/₈" (119 x 180 x 19 cm)</u>
<u>4' x 8' x 7³/₈" (122 x 244 x 19 cm)</u>	<u>47" x 95" x 7³/₈" (119 x 241 x 19 cm)</u>

Type II Convex Wall Diffusers

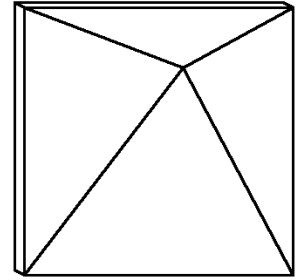
- Manufacturer's standard construction of thermo molded plastic, 0.125" (3 mm) material thickness with glass fiber board glued to concave rear surface of wall panels. Recyclable.

Type II Wall Diffusers	
Nominal Dimensions:	Actual Dimensions:
<u>3' x 6' x 7³/₈" (122 x 183 x 19 cm) (shown)</u>	<u>35¹/₄" x 71" x 7³/₈" (90 x 180 x 19 cm)</u>
<u>4' x 6' x 7³/₈" (92 x 183 x 19 cm)</u>	<u>47" x 71" x 7³/₈" (119 x 180 x 19 cm) (shown)</u>
<u>4' x 8' x 7³/₈" (122 x 244 x 19 cm)</u>	<u>47" x 95" x 7³/₈" (119 x 241 x 19 cm)</u>

Pyramidal Wall Diffuser:

- Manufacturer's standard construction of thermo molded plastic, 0.125" (3 mm) material thickness. Recyclable.

Pyramidal Wall Diffuser	
Nominal Dimensions	Actual Dimensions:
4' x 4' x 12" (122 x 122 x 30 cm) clip model	47" x 47" x 12" (119 x 119 x 30 cm)



Ceiling Diffuser Panels:

- Manufacturer's standard construction of thermo molded plastic, 0.125" (3 mm) material thickness with white, "lemon-peel" finish. Surface is paintable using latex acrylic paint only. Recyclable.
- Panels are NOT fabric covered.
- Constructed of Class A material according to NFPA 101 Life Safety Code Requirements.
- Mounting is securely attached to the panel edges. Lay-in hardware for ceiling grid; direct ceiling mounting hardware; four corner hook suspended by wire to ceiling.
- Five-year warranty.

Convex Ceiling Diffuser Panels	
Nominal Dimensions	Actual Dimensions:
Not fabric covered	Not fabric covered
<u>2' x 2' x 4³/₄" (61 x 61 x 12 cm) clip model</u>	<u>22³/₄" x 22³/₄" x 4³/₄" (58 x 58 x 12 cm) clip model</u>
<u>2' x 2' x 5¹/₄" (61 x 61 x 13 cm) lay-in model</u>	<u>22³/₄" x 22³/₄" x 5¹/₄" (58 x 58 x 13 cm) lay-in model</u>
<u>4' x 2' x 5¹/₄" (122 x 61 x 13 cm) lay-in model</u>	<u>46⁷/₈" x 23¹/₈" x 4³/₄" (119 x 59 x 12 cm) clip model</u>
<u>4' x 2' x 5¹/₄" (122 x 61 x 13 cm) lay-in model</u>	<u>46⁷/₈" x 23¹/₈" x 5¹/₄" (119 x 59 x 13 cm) lay-in model</u>
<u>4' x 4' x 4³/₈" (122 x 122 x 11 cm) clip model</u>	<u>46³/₄" x 46³/₄" x 4³/₈" (119 x 119 x 12 cm) clip model</u>
<u>4' x 4' x 5¹/₄" (122 x 122 x 13 cm) lay-in model</u>	<u>46³/₄" x 46³/₄" x 5¹/₄" (119 x 119 x 13 cm) lay-in model</u>
<u>4' x 4' x 12" (122 x 122 x 30 cm) Pyramidal lay-in model</u>	<u>46³/₄" x 46³/₄" x 12" (119 x 119 x 30 cm) Pyramidal lay-in model</u>
<u>4' x 4' x 12" (122 x 122 x 30 cm) Pyramidal clip model</u>	<u>46³/₄" x 46³/₄" x 12" (119 x 119 x 30 cm) Pyramidal clip model</u>

Pyramidal Ceiling Diffusers:	
Nominal Dimensions	Actual Dimensions:
Not fabric covered	Not fabric covered
<u>2' x 2' x 6" (61 x 61 x 15 cm) Pyramidal lay-in model</u>	<u>23⁵/₈" x 23⁵/₈" x 6" (60 x 60 x 15 cm) Pyramidal lay-in model</u>
<u>4' x 4' x 12" (122 x 122 x 30 cm) Pyramidal lay-in model</u>	<u>46³/₄" x 46³/₄" x 12" (119 x 119 x 30 cm) Pyramidal lay-in model</u>
<u>4' x 4' x 12" (122 x 122 x 30 cm) Pyramidal clip model</u>	<u>46³/₄" x 46³/₄" x 12" (119 x 119 x 30 cm) Pyramidal clip model</u>

Custom sizes available in 1/2" increments

Installation

Acoustical Wall Panels are designed for easy installation. Panels are shipped fully assembled with mounting brackets included for a secure installation. Brackets are fastened (fasteners not included) to virtually any wall surface (Fig. 1) and the panels mount easily onto the wall brackets (Fig. 2).

Wall Absorber/Diffuser Installation

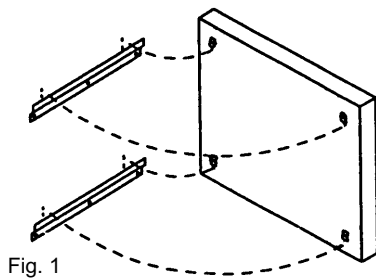


Fig. 1

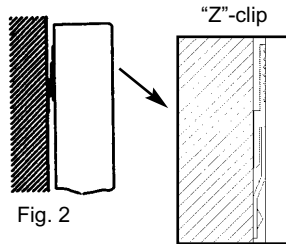
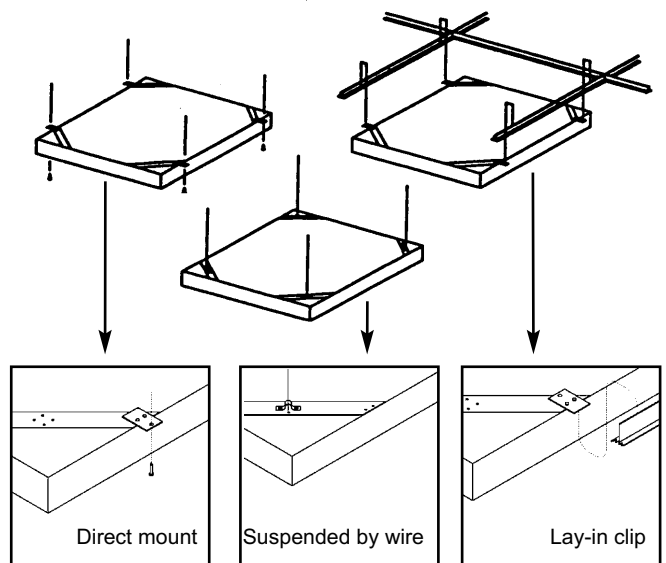


Fig. 2

Ceiling Absorber/Diffuser Installation



Direct mount

Suspended by wire

Lay-in clip

Acoustical Performance

Sound Absorption Coefficient
One-Third Octave Band Center Frequency (Hz)

Mounting Type	125	250	500	1000	2000	4000
Wall and Ceiling Absorbers (4' x 4') (122 x 122 cm)						
A ¹	0.65	1.10	1.31	1.23	1.20	1.09
Ceiling Diffusers (4' x 4') (122 x 122 cm) Convex						
A	0.20	0.11	0.07	0.04	0.09	0.21
E-400	0.21	0.16	0.16	0.15	0.14	0.26
Ceiling Diffusers (4' x 4') (122 x 122 cm) Pyramidal						
A	0.27	0.18	0.09	0.06	0.03	0.00
E-400	0.21	0.14	0.13	0.13	0.18	0.27
Type I Wall Diffusers (4' x 4') (122 x 122 cm) Convex						
A	0.18	0.18	0.13	0.10	0.12	0.16
E-9/32" (7 mm) ¹	0.25	0.14	0.11	0.10	.13	0.16
Type I Wall Diffusers (4' x 4') (122 x 122 cm) Pyramidal						
A	0.23	0.18	0.13	0.12	0.14	0.11
E-9/32" (7 mm) ¹	0.22	0.18	0.12	0.12	0.17	0.20
Type II Wall Diffusers (4' x 8') (122 x 244 cm)						
A	0.34	0.27	0.14	0.11	0.11	0.19
E-9/32" (7 mm) ¹	0.28	0.29	0.19	0.13	0.13	0.20

Sabins/Unit
One-Third Octave Band Center Frequency (Hz)

Mounting Type	125	250	500	1000	2000	4000
Wall and Ceiling Absorbers (4' x 4') (122 x 122 cm)						
A ¹	10.0	16.9	20.1	18.9	18.4	16.8
Ceiling Diffusers (4' x 4') (122 x 122 cm) Convex						
A	7.8	2.6	1.5	0.7	0.5	0.8
E-400	3.3	2.6	2.6	2.3	2.2	4.2
Ceiling Diffusers (4' x 4') (122 x 122 cm) Pyramidal						
A	4.3	2.9	1.4	1.0	0.5	0.0
E-400	3.4	2.2	2.1	2.1	2.9	4.3
Type I Wall Diffusers (4' x 4') (122 x 122 cm) Convex						
A	2.9	2.9	2.1	1.6	1.9	2.6
E-9/32" (7 mm) ¹	4.0	2.3	1.8	1.7	2.0	2.6
Type I Wall Diffusers (4' x 4') (122 x 122 cm) Pyramidal						
A	3.7	2.9	2.1	1.9	2.2	1.8
E-9/32" (7 mm) ¹	3.5	2.9	1.9	1.9	2.7	3.2
Type II Wall Diffusers (4' x 8') (122 x 244 cm)						
A	10.8	8.6	4.6	3.4	3.6	6.1
E-9/32" (7 mm) ¹	9.1	9.4	6.0	4.1	4.1	6.4

A¹ Mounted 9/32" (7 mm) air space to simulate actual installation practice;
 A Mounting — 0.2" (0.5 cm) air space
 E-400 Mounting — 16" (41 cm) air space.

Sound Transmission Class (STC), determined according to ASTM E90 and ASTM E413; Type I convex ceiling diffuser panel, 4' x 4' (122 cm x 122 cm); STC 23, Type 1 pyramidal diffuser panel, 4' x 4' (122 x 122 cm), STC 22.



Your Performance Partner

WENGER CORPORATION
 555 Park Drive, PO Box 448
 Owatonna, MN 55060-0448
 Phone 800.4WENGER (493-6437)
 Fax 507.455.4258
 Customer Service 800.887.7145

WENGER CORPORATION
CANADIAN REPRESENTATIVE OFFICE
 Phone 800.268.0148

WENGER CORPORATION
BEIJING REPRESENTATIVE OFFICE
 Phone 0086-10-84972502
 Fax 0086-10-84972575

WORLDWIDE
 Phone 1.507.455.4100
 Fax 1.507.444.0685

WEB SITE
 wengercorp.com