

Corner Cabinet - Revolving Shelf Option



Your Performance Partner

- 250A041 Basic cabinet 460 lbs (209 kg).
- Multi-purpose storage cabinet with a variety of internal storage compartment options.
- Cabinet may be placed between adjacent rows of cabinets meeting in a corner, or may stand alone.
- Wall panels are 3/4" (19 mm) thick industrial grade composite wood with polyester laminate finish.
- Standard top panel is 3/4" (19 mm) thick plywood with polyester laminate finish.
- Edging is 1/8" (3 mm) radiused PVC.
- Door opening is 24" (61 cm) wide.
- Door options:
 - Full wood door - same construction as wall panels.
 - Full grille door - welded steel grille construction with powder-coat paint finish.
 - No door.
- Cabinets have five adjustable steel leveling glides for uneven floors.
- Deflector panel is constructed of high density fiberboard with oyster laminate prevents items from falling from shelves. If FSC certified is required, deflector panel is constructed of unfinished tempered hardboard.
- Ventilation holes are built-in on cabinet top panel to dissipate moisture and aid air circulation.
- Bottom and top tubular steel frame adds strength to cabinet.
- Includes revolving column pack 145R769.
- Includes revolving frame pack 145R765.
- GREENGUARD Indoor Air Quality Certified® and GREENGUARD Children & SchoolsSM Certified.
- Environmental attributes and LEED compliance for this product can be found at www.wengercorp.com/GREEN or by contacting your Wenger representative.
- Ten-year warranty.
- U.S. Patent Number: 6,991,305.

Internal Storage Options

Revolving shelf 145R770

- Shelf made of 12-gauge steel in powder-coat paint finish. Attaches to revolving center post that contains adjustable holes.
- Cabinet will hold up to six 360 degree shelves.

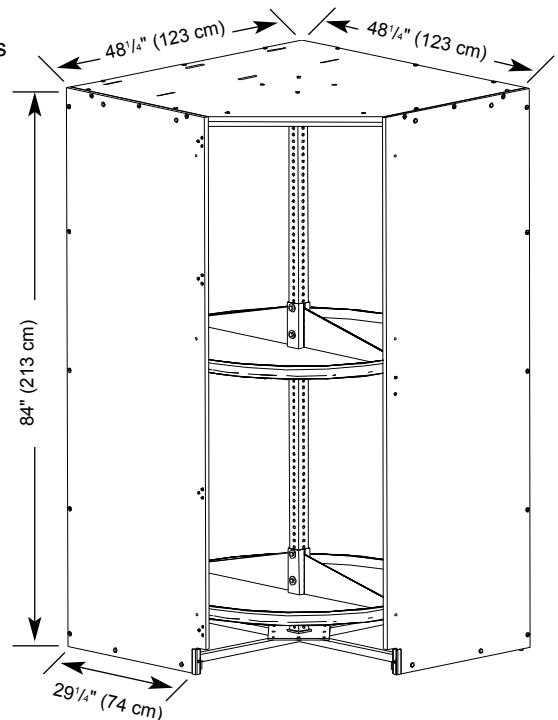
Garment ring 145R771

- Includes 1 set of rings made of 5/8" (16 mm) diameter steel rod in powder-coat paint finish. Attaches to center post.
- Will hold up to 30 uniforms or 30 choral robes per cabinet.
- Add a second set of rings to increase storage to hold up to 30 more uniforms (maximum of 2 sets).

Flag storage

- Includes 1 set of garment rings (145R771 from above).
- A 360 degree bottom shelf (145R766) with carpeted pad. Attaches to center post.
- Will hold up to 200 flags.

Corner Cabinet
with a
Revolving Shelf



WENGER CORPORATION
555 Park Drive, PO Box 448
Owatonna, MN 55060-0448
Phone 800.4WENGER (493.6437)
Fax 507.455.4258
Customer Service 800.887.7145

WENGER CORPORATION
CANADIAN REPRESENTATIVE OFFICE
Phone 800.268.0148

WORLDWIDE
Phone 507.455.4100
Fax 507.774.8576

WEB SITE
wengercorp.com