

# Mobile Folio Cabinets

- Wall panels are industrial grade composite wood with polyester laminate finish in Wenger standard colors.
- Shelves are 1/8" (3 mm) thick tempered hardboard.
- Choral shelves are 11 1/2" wide x 12 1/2" deep (29.2 x 31.8 cm) and Band/Orchestra shelves are 14 1/4" wide x 14 1/2" deep (36.2 x 36.8 cm)
- Available in 1", 1 1/2", 2", 2 1/2", and 3" (25 mm, 38 mm, 51 mm, 63 mm, and 76 mm) shelf height openings to accommodate various thicknesses of folios.
- Shelf support columns are extruded aluminum with black powder paint finish.
- Optional lockable doors are made of thermofused composite wood with polyester laminate finish.
- Each cabinet includes four 3" (7.6 cm) swivel casters, two locking, to make transport easy. Four column choral cabinet contains 6 swivel casters for added support when transporting.
- GREENGUARD Certified.
- Number strips included for all shelf spacing options.
- Cabinets are shipped fully assembled.
- Wall mounting bracket included for tall folio cabinets.
- Ten-year warranty.

**Mobile Choral Folio Cabinets:**

**146M022, Two-column Choral Folio Cabinet:**

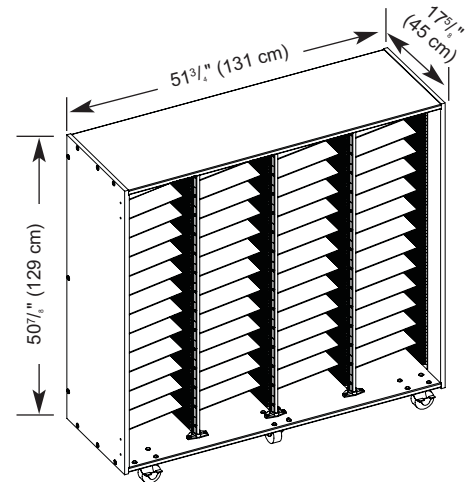
- Cabinet only 125 lbs (57 kg), with doors: 149 lbs (68 kg) (based on 1 1/2" shelf spacing)
- Cabinet is 26 3/4" wide x 17 5/8" deep x 50 7/8" high (68 x 45 x 129 cm)

**146M023, Three-column Choral Folio Cabinet:**

- Cabinet only 169 lbs (77 kg), with doors: 205 lbs (93 kg) (based on 1 1/2" shelf spacing)
- Cabinet is 39 7/16" wide x 17 5/8" deep x 50 7/8" high (68 x 45 x 129 cm)

**146M024, Four-column Choral Folio Cabinet:**

- Cabinet only 216 lbs (99 kg), with doors: 298 lbs (135 kg) (based on 1 1/2" shelf spacing)
- Cabinet is 51 3/4" wide x 17 5/8" deep x 50 7/8" high (131 x 45 x 129 cm)



**4-Column Choral Folio Cabinet**

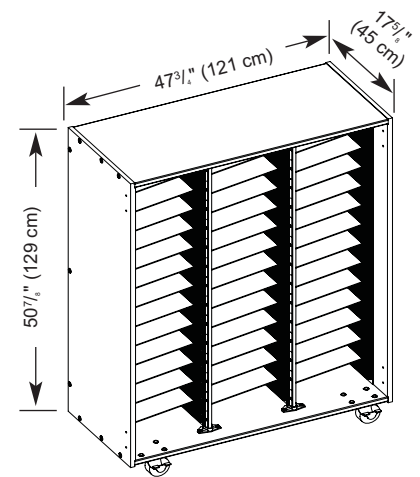
**Mobile Band/Orchestra Folio Cabinets:**

**146M032, Two-column Band/Orchestra Folio Cabinet:**

- Cabinet only 147 lbs (67 kg), with doors: 178 lbs (81 kg) (based on 1 1/2" shelf spacing)
- Cabinet is 32 7/16" wide x 17 5/8" deep x 50 7/8" high (68 x 45 x 129 cm)

**146M033, Three-column Band/Orchestra Folio Cabinet:**

- Cabinet only 205 lbs (93 kg), with doors: 250 lbs (114 kg) (based on 1 1/2" shelf spacing)
- Cabinet is 47 3/4" wide x 17 5/8" deep x 50 7/8" high (68 x 45 x 129 cm)



**3-Column Band/Orchestra Folio Cabinet**

Shelf Spacing Capacity

Cabinet	Shelf Spacing				
	1"	1 1/2"	2"	2 1/2"	3"
2-Column Choral	84	56	42	34	28
3-Column Choral	126	84	63	51	42
4-Column Choral	168	112	84	68	56
2-Column Band/Orchestra	84	56	42	34	28
3-Column Band/Orchestra	126	84	63	51	42

**WENGER CORPORATION**  
 555 Park Drive, PO Box 448  
 Owatonna, MN 55060-0448  
 Phone 800.4WENGER (493.6437)  
 Fax 507.455.4258  
 Customer Service 800.887.7145

**WENGER CORPORATION**  
**CANADIAN REPRESENTATIVE OFFICE**  
 Phone 800.268.0148

**WENGER CORPORATION**  
**BEIJING REPRESENTATIVE OFFICE**  
 Phone 0086-10-84972502  
 Fax 0086-10-84972575

**WORLDWIDE**  
 Phone 507.455.4100  
 Fax 507.774.8576

**WEB SITE**  
 wengercorp.com