

GearBoss® AirPro™ Locker

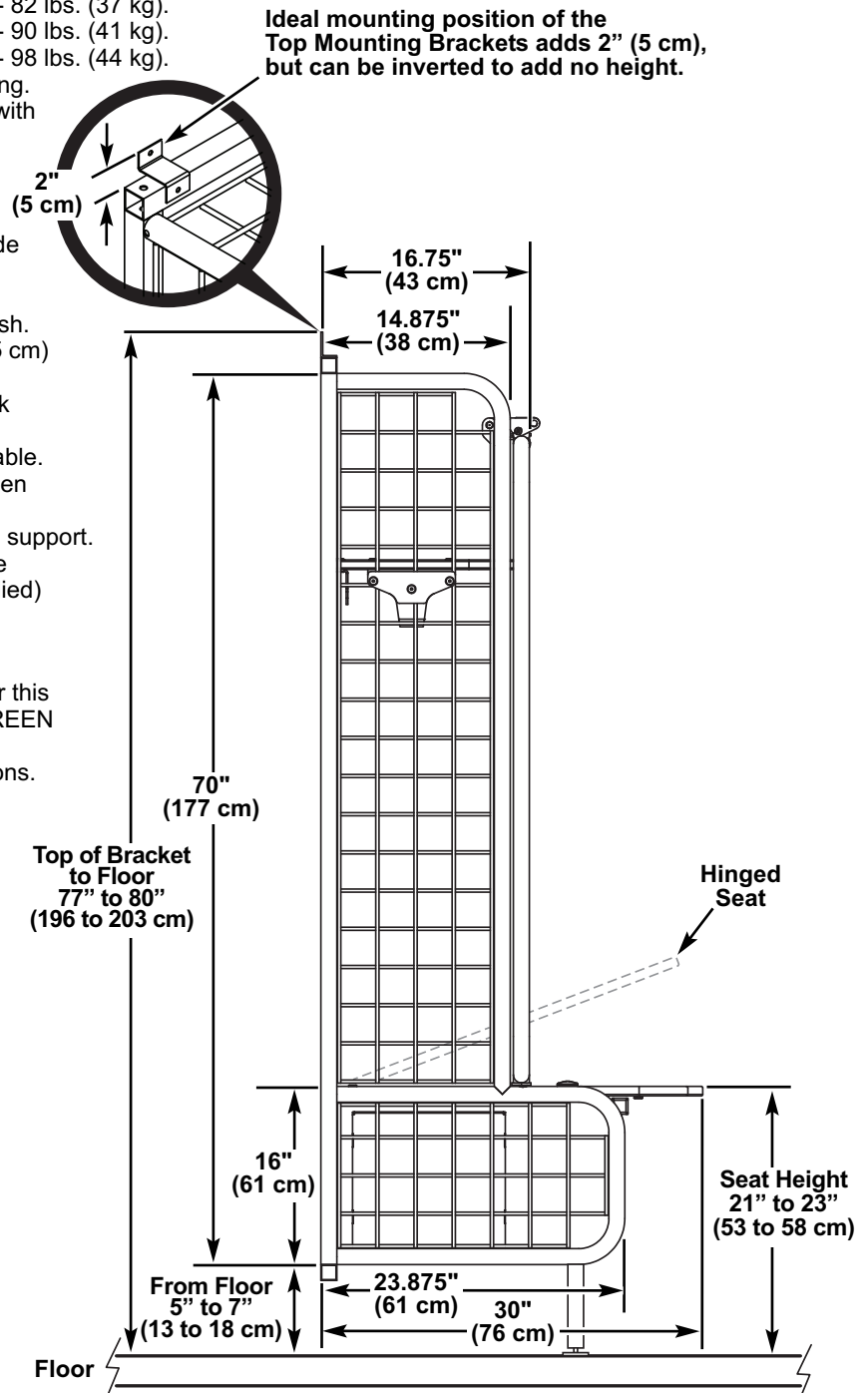
GearBoss AirPro Lockers are a big part of creating a Team Room that stands apart. A room that gets away from the commercial look of sheet metal solutions. A room that is infinitely more cleanable and as a result, more sanitary, faster drying and better smelling. A team room that carries a high-end aesthetic reflecting your pride and traditions. A team room that saves on floor space with integrated benches that open up your rooms and provide for more effective team meetings.

Intended Use

- The GearBoss AirPro Locker provides a cleanable, sanitary and fast drying storage solution in the team room
- The GearBoss AirPro Locker is intended for indoor use in normal ambient temperature and humidity conditions - components must not be exposed to prolonged outside weather conditions.

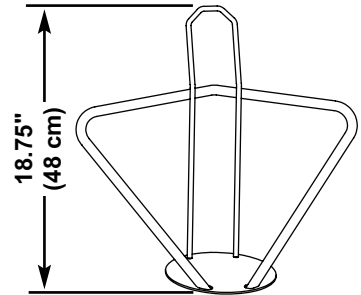
Specifications

- Locker sizes:
 - 15" wide x 70" high x 30 deep (38 x 178 x 76 cm) - 74 lbs. (34 kg).
 - 18" wide x 70" high x 30 deep (46 x 178 x 76 cm) - 82 lbs. (37 kg).
 - 24" wide x 70" high x 30 deep (61 x 178 x 76 cm) - 90 lbs. (41 kg).
 - 30" wide x 70" high x 30 deep (76 x 178 x 76 cm) - 98 lbs. (44 kg).
- Frame is constructed of 1¼" x 16-gauge steel tubing.
- ¼" (0.6 cm) steel wire grille sides top and bottom with 3" (8 cm) openings welded at all intersections and standard 3" x 3" (3 x 8 cm) wire grid pattern.
- Antimicrobial laminated finishes in a variety of wood grains.
- Adjustable shelf is ¾" (19 mm) thick industrial grade composite wood with polyester laminate finish.
- Integrated hinged seat: ¾" (19 mm) thick industrial grade composite wood with polyester laminate finish.
- Steel nameplate housing accepts a 12" x 2" (30 x 5 cm) nameplate.
- Garment hooks: One 10-gauge center double hook
Two 12-gauge side single hooks.
- Wall-mount and island-mount configurations available.
- Mounted 5" to 7" (13 to 18 cm) above floor with open cleanable space under each locker.
- Legs at predetermined intervals for additional load support.
- No door or door ready option has a hasp under the hinged seat ready to use with a padlock (not supplied) for footlocker content security.
- GREENGUARD Indoor Air Quality Certified® and GREENGUARD Children & SchoolsSM Certified.
- Environmental attributes and LEED compliance for this product can be found at www.wengercorp.com/GREEN or by contacting your Wenger representative.
- Shipped ready-to-assemble with detailed instructions. Wenger assembly and installation is optional.
- ADA-Compliant.
- Product Number: 241B031.
- Patents Pending.
- Ten-year warranty.

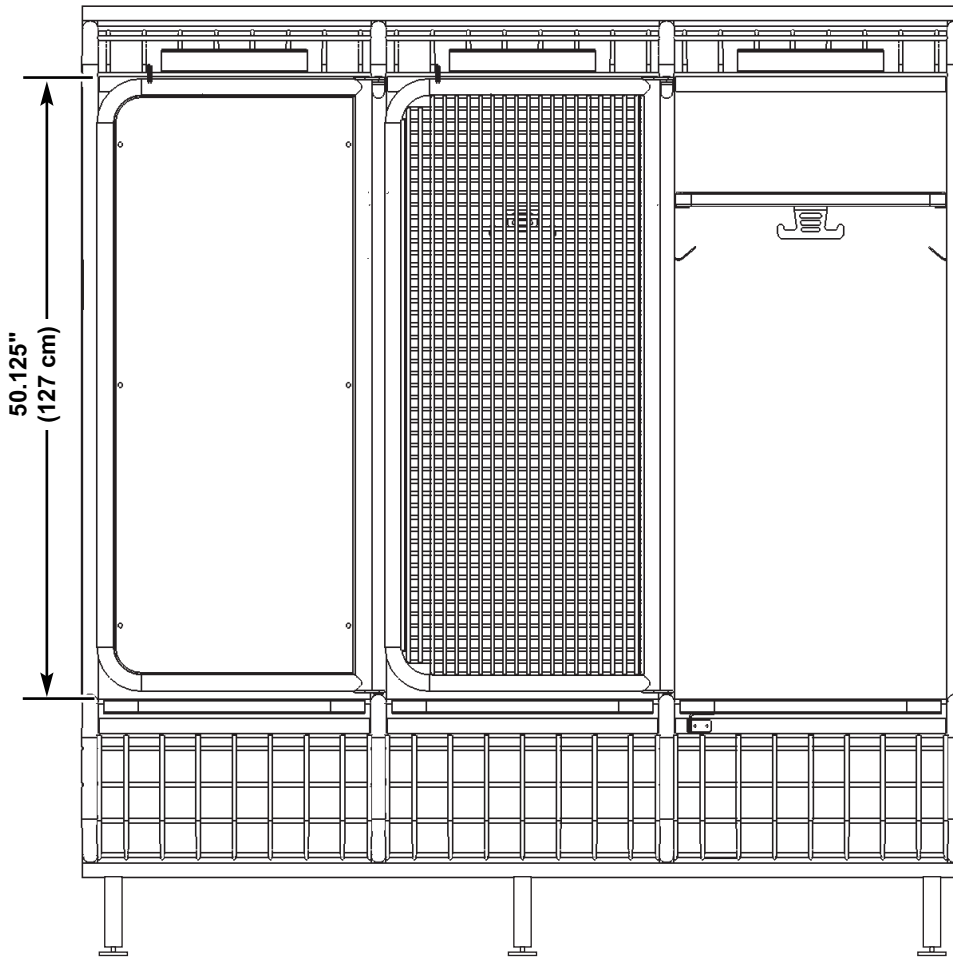


Available Options Include:

- Lockable Wood Door is 5/8 (16 mm) thick industrial grade composite wood with polyester laminate finish and set inside 1 1/4 (3 cm) x 16-gauge tube frame. A hasp is located at the top of the door and is ready to use with a padlock (not supplied).
- Lockable Grille Door is 1 1/4 (3 cm) x 16-gauge tube frame with 1" (2.5 cm) openings welded at all intersections. Wood Door and Grille Door options have a hasp located at the top of the door ready to receive a padlock (not supplied).
- Lockers with No Door or Door Ready options have a hinged seat with a hasp ready receive a padlock (not supplied).
- Backer Panel and End Panels are 5/8 (16 mm) thick industrial grade composite wood. Color to be selected from the manufacturer's standard color pallet.
- 1 1/2" x 3" (4 x 8 cm) wire grid pattern for greater security.
- Security Box: 18-gauge strong box. 6" wide x 12" long x 11 1/4" high (15 x 30 x 29 cm). Powder-coat painted to match the frame.
- Football Shoulder Pad and Helmet Topper. 22" wide x 13 1/4" long x 18 3/4" high (56 x 34 x 48 cm). 3/4 (19 mm) diameter welded steel tubing frame. Color to be selected from the manufacturer's standard powder-coat paint pallet. Silver is standard if no color is selected.



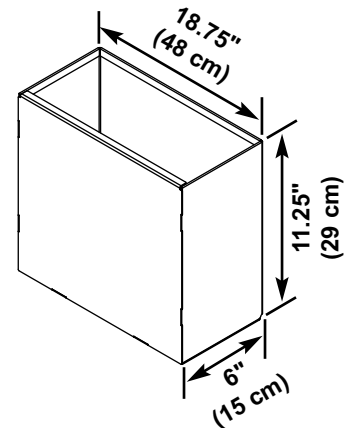
Football Shoulder Pad and Helmet Topper



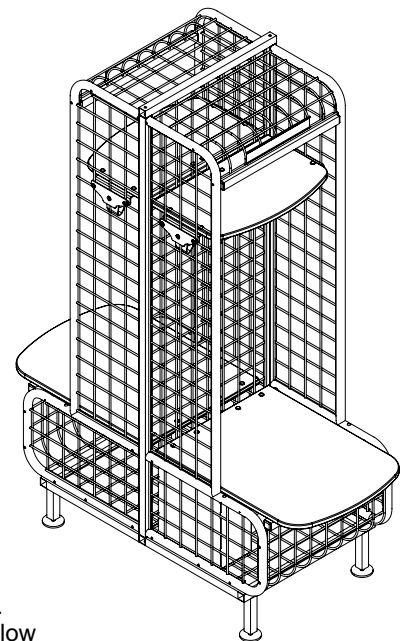
Wood Door

Grille Door

No Door or Door Ready



Five Sided Foot Locker Security Box



Island Mount Configuration

Note: Width dimensions are calculated from the center of each side tube, as a result 1 1/4" (3 cm) needs to be added to the required installation space for every run of lockers. Wall space must accommodate an extra 6" (15 cm) in addition to the width of lockers to allow room for installation.

WENGER CORPORATION
 555 Park Drive, PO Box 448
 Owatonna, MN 55060-0448
 Phone 800.4WENGER (493.6437)
 Fax 507.455.4258
 Customer Service 800.887.7145

WENGER CORPORATION
CANADIAN REPRESENTATIVE OFFICE
 Phone 800.268.0148

WORLDWIDE
 Phone 507.455.4100
 Fax 507.774.8576

WEB SITE
wengercorp.com

Wenger®

Your Performance Partner

US/C/1/04-2012/W