

Closures & Bypass Doors - Accessories

[TECHNICAL
SHEET]

GEARBOSS
by Wenger

GearBoss® Sports Storage System

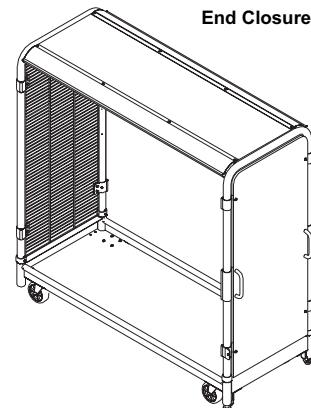
GearBoss is an equipment storage and transportation solution designed to transform your equipment room into a point of pride. GearBoss is a high-density storage solution that uses an innovative system of tracks and rolling carts and accessories to reduce the square footage of your storage area by at least half. GearBoss units are designed to encourage airflow and improve sanitation and odor issues. The modular system features accessories specific for the needs of bulky equipment like helmets and shoulder pads. Accessories like panels and doors can be added for security, and in matching school colors they present an unmistakable message of program pride. All closures and doors have a five-year warranty.

Intended Use

- The GearBoss End Closures, Side Closures and Bypass Door Accessories are intended for indoor use in normal ambient temperature and humidity conditions—they must not be exposed to prolonged outside weather conditions.
- The GearBoss End Closures, Side Closures and Bypass Door Accessories are intended to be used by the customer to accessorize their GearBoss carts and to add levels of security and aesthetic finish.

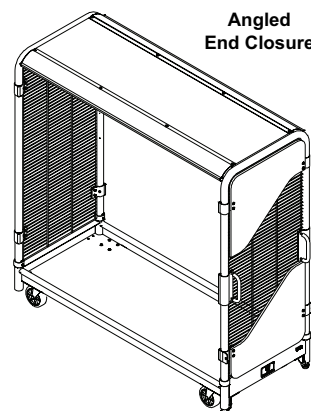
Solid End Closure Accessory

- Adds a level of security to carts.
- Provides an excellent space for team logos.
- Can be ordered in a variety laminate colors.
- Made from solid $\frac{5}{8}$ " wood composite with polyester laminate finish and black heavy-duty PVC edge banding.
- Shipped ready-to-assemble.
- 240A063 Cart End Closure, 32" (81 cm)
Dimensions: 27 $\frac{1}{4}$ " x 64 $\frac{9}{16}$ " (96 x 163 cm) Approximate Weight: 25 lbs (11.3 kg).
- 240A064 Cart End Closure, 48" (122 cm)
Dimensions: 43 $\frac{1}{4}$ " x 64 $\frac{9}{16}$ " (110 x 163 cm) Approximate Weight: 48 lbs (21.8 kg).
- 240A065 Attic End Closure, Short
Dimensions: 21 $\frac{9}{64}$ " x 43 $\frac{1}{4}$ " (54 x 110 cm) Approximate Weight: 48 lbs (21.8 kg).
- 240A066 Attic End Closure, Tall
Dimensions: 33 $\frac{9}{64}$ " x 43 $\frac{1}{4}$ " (84 x 110 cm) Approximate Weight: 43 lbs (19.5 kg).



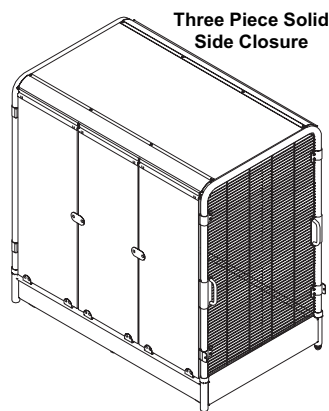
Angled End Closure Accessory

- Adds a level of Aesthetic to carts.
- Provides an excellent space for team logos.
- Can be ordered in a variety laminate colors.
- Made from solid $\frac{5}{8}$ " wood composite with polyester laminate finish and black heavy-duty PVC edge banding.
- Shipped ready-to-assemble.
- 240A035 Angle End Closure, 32" (81 cm)
Dimensions: 24 $\frac{13}{16}$ " x 27 $\frac{1}{4}$ " (63 x 69 cm) Approximate Weight: 23 lbs (10.4 kg).
- 240A036 Angle End Closure, 48" (122 cm)
Dimensions: 24 $\frac{13}{16}$ " x 43 $\frac{1}{4}$ " (63 x 110 cm) Approximate Weight: 25 lbs (11.3 kg).



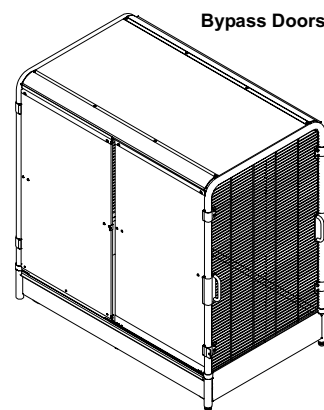
Side Closure Accessory

- Securely closes one side of cart opposite open side or opposite a bypass door adding a level of security to carts.
- Can be ordered in a variety laminate colors.
- Made from solid $\frac{5}{8}$ " wood composite with polyester laminate finish and black heavy-duty PVC edge banding.
- Shipped ready-to-assemble.
- Dimensions: 65" x 73" (165 x 185 cm).
- Approximate Weight: 75 lbs (34 kg).
- 240A025 Cart Side Closure.



Bypass Door Accessory

- Easy glide aluminum track provides convenient access.
- Lockable sliding doors for added security.
- Can be ordered in a variety laminate colors.
- Made from solid $\frac{5}{8}$ " wood composite with polyester laminate finish and black heavy-duty PVC edge banding.
- Shipped ready-to-assemble.
- Dimensions: 65" x 73" (165 x 185 cm).
- Approximate Weight: 86 lbs (39 kg).
- 240A041 Bypass Door Accessory.



WENGER CORPORATION

555 Park Drive, PO Box 448
Owatonna, MN 55060-0448
Phone 800.4WENGER (493.6437)
Fax 507.455.4258
Customer Service 800.887.7145

WENGER CORPORATION

CANADIAN REPRESENTATIVE OFFICE
Phone 800.268.0148

WORLDWIDE

Phone 507.455.4100
Fax 507.774.8576

WEB SITE

wengercorp.com