

Shoulder Pad Stacker - Accessory

[TECHNICAL
SHEET]

GEARBOSS®
by Wenger

GearBoss® Sports Storage System

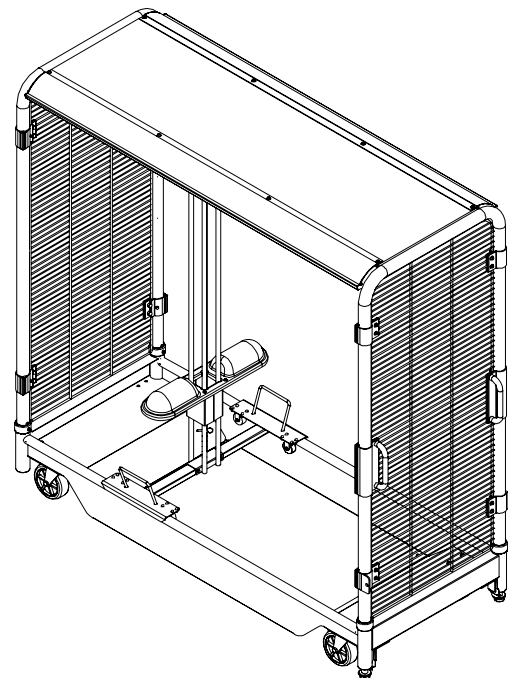
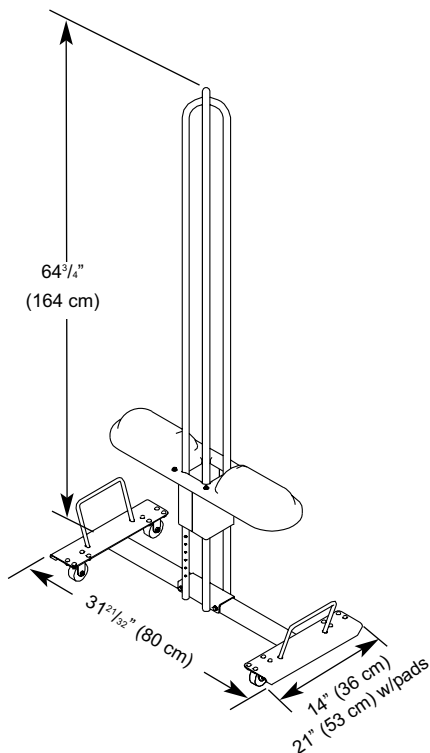
GearBoss is an equipment storage and transportation solution designed to transform your equipment room into a point of pride. GearBoss is a high-density storage solution that uses an innovative system of tracks and rolling carts and accessories to reduce the square footage of your storage area by at least half. GearBoss units are designed to encourage airflow and improve sanitation and odor issues. The modular system features accessories specific for the needs of bulky equipment like helmets and shoulder pads. Accessories like panels and doors can be added for security, and in matching school colors they present an unmistakable message of program pride.

Intended Use

- The GearBoss Shoulder Pad Stacker Accessory is intended for indoor use in normal ambient temperature and humidity conditions - it should not be exposed to prolonged outside weather conditions.
- The Wenger High Density Sports Storage System Shoulder Pad Stacker Accessory intended use is with the 32" (81 cm) X-Carts and Team Carts or as a stand-alone shoulder pad storage and transportation device.
- The Wenger High Density Sports Storage System Shoulder Pad Stacker Accessory is not intended to be used with and will not work with Carts equipped with the Side Closure Accessory or the Bypass Door Accessory.

System Description

- Designed to store and or transport approximately 18-25 shoulder pads depending on pad style
- Support tubes constructed of durable $\frac{3}{4}$ " (19 mm) x 16 gauge steel tubing.
- Specially molded support preserves pad shape.
- The molded support is vertically adjustable to accommodate pads with shallow or deep chest protection
- Durable powder paint finish, color black.
- Equipped with wheels, for mobility, when used as a stand-alone device.
- Overall dimensions, $31\frac{21}{32}$ " wide x $64\frac{3}{4}$ " high (80 x 164 cm).
- Approximate weight, 31 lbs. (14.1 kg)
- Shipped ready-to-assemble with detailed instructions.
- Part Number: 240A013.
- Five-year warranty.



WENGER CORPORATION
555 Park Drive, PO Box 448
Owatonna, MN 55060-0448
Phone 800.4WENGER
Fax 507.455.4258
Customer Service 800.887.7145

WENGER CORPORATION
CANADIAN REPRESENTATIVE OFFICE
Phone 800.268.0148

WENGER CORPORATION
BEIJING REPRESENTATIVE OFFICE
Tel 0086-10-84972502
Fax 0086-10-84972575

WORLDWIDE
Phone 507.455.4100
Fax 507.444.0685

WEB SITE
wengercorp.com