

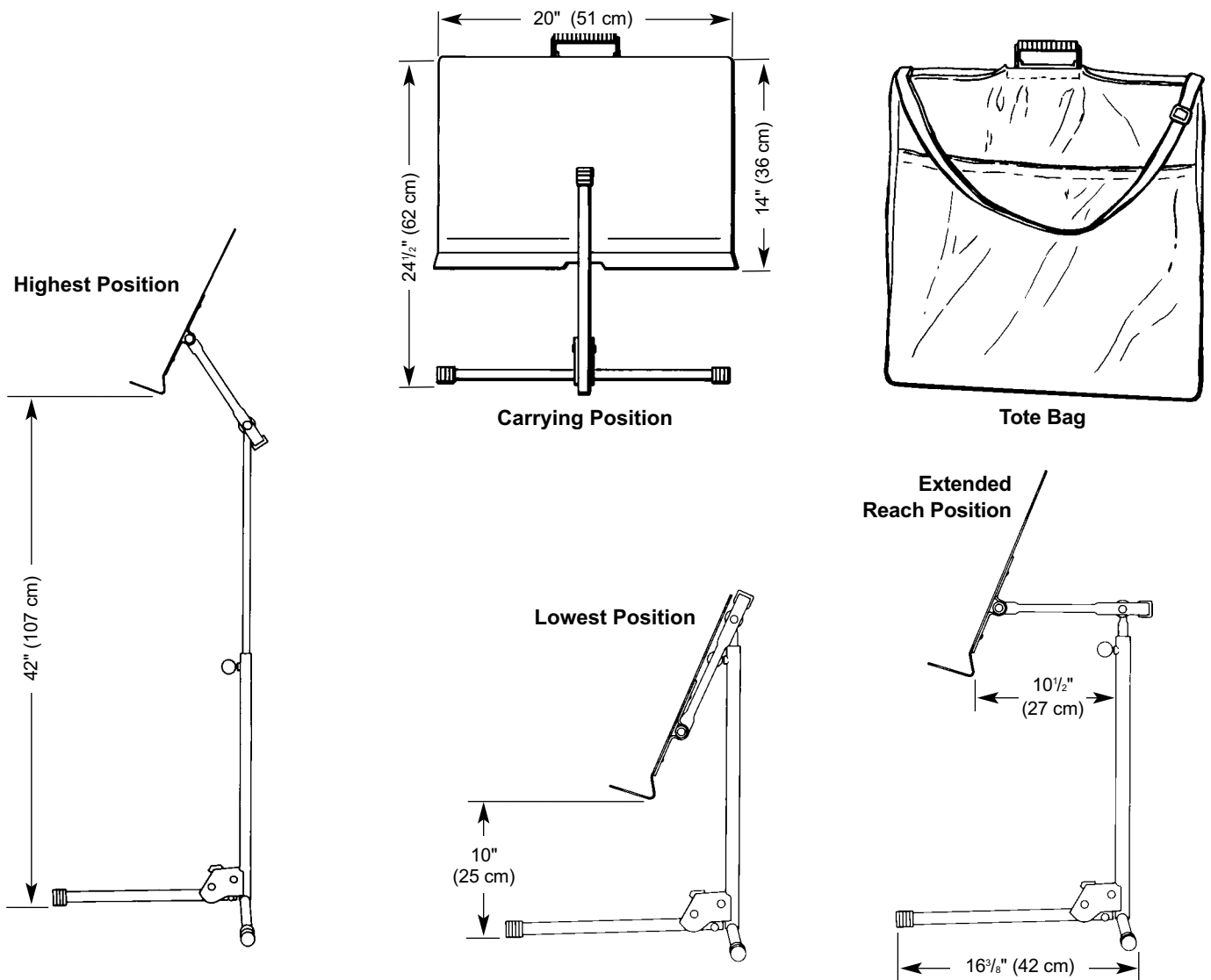
Gig Stand[®]

- 143E001 (9 lbs) (4 Kg).
- Portable stand with 20" x 14" (51 x 36 cm) aluminum desk and 16-gauge steel tube and base.
- Cantilever arm for wide range positioning of desk.
- Hex wrench included for angle adjustment.
- Height adjustment 10" to 42" (25 to 107 cm) (desk lip to floor).
- Folds into briefcase size 20" x 24 1/2" x 4 5/8" (51 x 62 x 12 cm) with its own carrying handle.
- Black powder coat finish.
- Five year warranty.

Accessories

Gig Tote Bag

- 143A041 (1 lb) (.5 Kg).
- Black nylon tote bag with shoulder strap and music accessory pocket.



WENGER CORPORATION
555 Park Drive, PO Box 448
Owatonna, MN 55060-0448
Phone 800.4WENGER (493.6437)
Fax 507.455.4258
Customer Service 800.887.7145

WENGER CORPORATION
CANADIAN REPRESENTATIVE OFFICE
Phone 800.268.0148

WENGER CORPORATION
BEIJING REPRESENTATIVE OFFICE
Phone 0086-10-84972502
Fax 0086-10-84972575

WORLDWIDE
Phone 507.455.4100
Fax 507.444.0685

WEB SITE
wengercorp.com