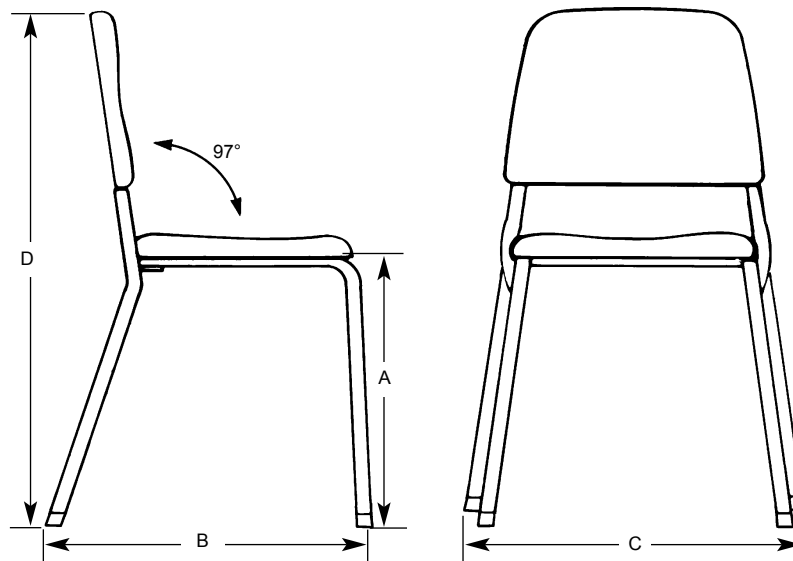


# Musician Chair

- 0920000 15 lbs, 10 oz (7.1 kg).
- Seat and back are rugged polypropylene and support 2" (5 cm) polyfoam seat cushioning and ½" (13 mm) polyfoam back cushioning.
- Seat and back are covered with 100% polypropylene fabric, available in six colors: Black, Green, Blue, Plum, Red or Grey.
- Music posture design, with seat pan rise of 4½° forward of pelvic area that creates a thigh to backrest angle of 97°, allowing musicians to sit in a posture equivalent to standing, thus freeing the diaphragm.
- Available in heights of 15½" (39 cm), 16" (41 cm), 17" (43 cm), 17½" (44 cm), 18½" (47 cm) and 19½" (50 cm).
- 16-gauge ⅞" (22 mm) square tube frame, and 14-gauge ⅞" (22 mm) square tube rear crossmember designed and welded to give support around entire outer edge of both seat and back.
- Black powder-coat paint finish for maximum durability. Chrome finish is also available.
- Stacks for compact storage, up to 10 chairs on a cart; 8 chairs without a cart.
- If chairs are equipped with the Ganging Clamp Accessory, they can be stacked no more than 5 high.
- Durable, specially designed floor glides provide stability when seated and ease of movement when arranging chairs.
- ANSI/BIFMA x 5.1-2002.
- California Technical Bulletin 117 compliant.
- GREENGUARD Indoor Air Quality Certified® and GREENGUARD Children & Schools<sup>SM</sup> Certified.
- Environmental attributes and LEED compliance for these products can be found at [www.wengercorp.com/GREEN](http://www.wengercorp.com/GREEN) or by contacting your Wenger representative.
- Five-year warranty.

Chair Height	*A	B	C	D
15½" (39 cm)	15½" (39 cm)	21¼" (54 cm)	19¾" (50 cm)	31¾" (81 cm)
16" (41 cm)	16" (41 cm)	21½" (55 cm)	19¾" (50 cm)	32" (81 cm)
17" (43 cm)	17" (43 cm)	21 <sup>15</sup> / <sub>16</sub> " (56 cm)	19 <sup>7</sup> / <sub>8</sub> " (50 cm)	33 <sup>1</sup> / <sub>4</sub> " (84 cm)
17½" (44 cm)	17½" (44 cm)	22" (56 cm)	19 <sup>7</sup> / <sub>8</sub> " (50 cm)	33 <sup>3</sup> / <sub>4</sub> " (86 cm)
18½" (47 cm)	18½" (47 cm)	22 <sup>5</sup> / <sub>8</sub> " (57 cm)	19 <sup>15</sup> / <sub>16</sub> " (51 cm)	34 <sup>3</sup> / <sub>4</sub> " (88 cm)
19½" (50 cm)	19½" (50 cm)	23" (58 cm)	20" (51 cm)	35 <sup>3</sup> / <sub>4</sub> " (91 cm)

\*Dimension "A" measures frame height, not seat height.



Available accessories listed on next page.

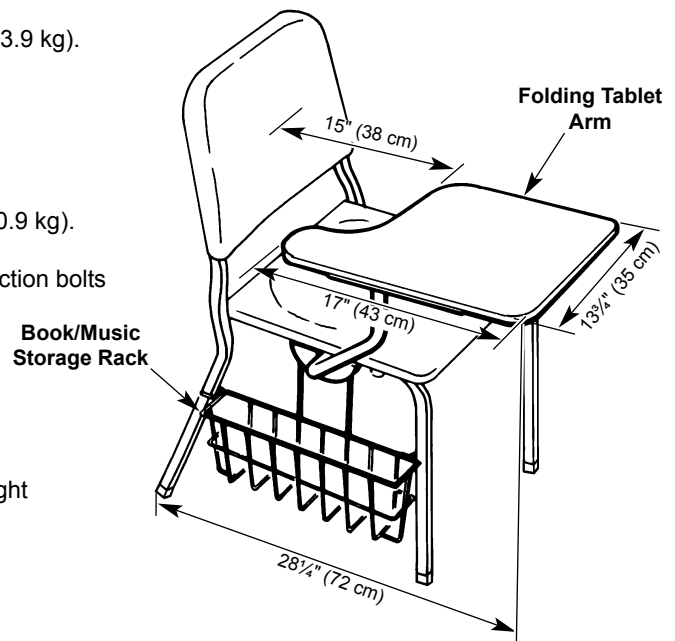
## Accessories Include:

### Folding Tablet Arm

- Right-hand: 0939014 8½ lbs (3.9 kg) Left-hand: 0939015 8½ lbs (3.9 kg).
- Grey Pebble laminate surface, 13¾" x 17" (34 x 43 cm).
- 14-gauge support assembly.
- Chairs cannot be stacked with this accessory attached.

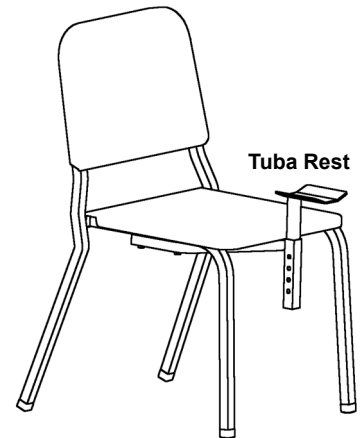
### Book/Music Storage Rack

- Side-mount: 054A050 2 lbs (0.9 kg) Under-chair: 054B286 2 lbs (0.9 kg).
- Under chair ⅜" (4.8 mm) diameter solid steel rod construction.
- Side mount: ⅛" and ⅜" (3.2 and 4.8 mm) diameter steel rod construction bolts into place.
- Adds 2 ¼" (5.7 cm) to chair width.
- Chairs cannot be stacked with this accessory attached.



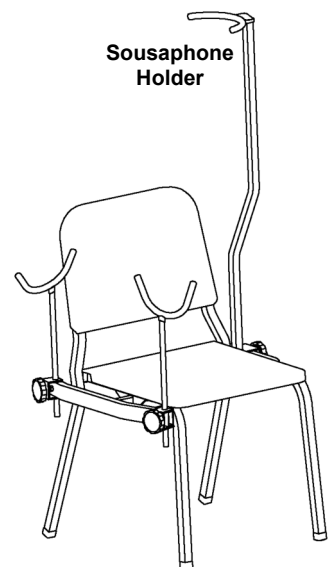
### Tuba Rest

- 054A160 3½ lbs (1.6 kg).
- Thru-bolted 16-gauge steel frame construction supports the full weight of the tuba.
- Height and depth adjustable.
- Vinyl protective coating.
- Can be added at any time.
- Chairs cannot be stacked with this accessory attached.



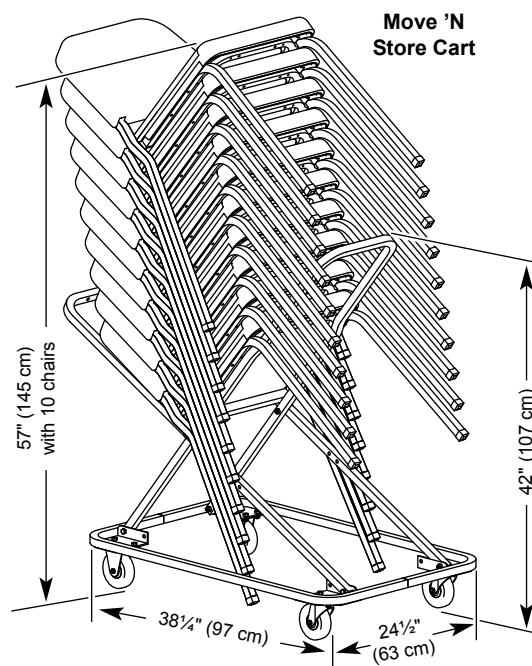
### Sousaphone Holder

- 190A184 11 lbs (5 kg).
- 14-gauge steel support frame and 16-gauge steel uprights.
- Supports and helps balance the sousaphone. Can be used for storage.
- Adjustable height.
- Vinyl protective coating.
- Can be added at any time.
- Chairs cannot be stacked with this accessory attached.



### Move 'N Store Cart

- 127A261 30 lbs (13.6 kg).
- Stack, move and store up to 10 Musician Chairs.
- 16-gauge steel construction with easy-roll casters.



### Ganging Clamps

- 190A059.
- Molded polycarbonate.
- Used to connect chairs together.

### Dust Cover

- 054D500.
- Vinyl coated polypropylene.
- For use with chairs stacked on cart.

#### WENGER CORPORATION

555 Park Drive, PO Box 448  
Owatonna, MN 55060-0448  
Phone 800.4WENGER (493.6437)  
Fax 507.455.4258  
Customer Service 800.887.7145

#### WENGER CORPORATION

CANADIAN REPRESENTATIVE OFFICE  
Phone 800.268.0148

#### WORLDWIDE

Phone 507.455.4100  
Fax 507.774.8576

#### WEB SITE

wengercorp.com

**Wenger**<sup>®</sup>

Your Performance Partner

US/C/I/09-2011/W