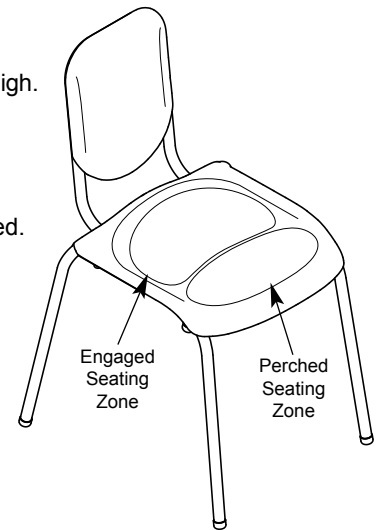
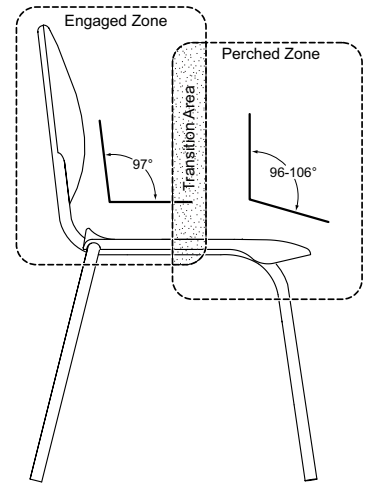


Nota[®] Standard Chair

- 0330000 11 lbs (5 kg).
- Patented design provides two seating zones: "Engaged" (rear) and "Perched" (forward).
 - The engaged position allows the occupant to sit with a thigh to back angle of 97°.
 - The perched position allows the occupant to sit with a thigh to back angle in the range of 96-106°.
 - A transition area allows users to move seamlessly between zones.

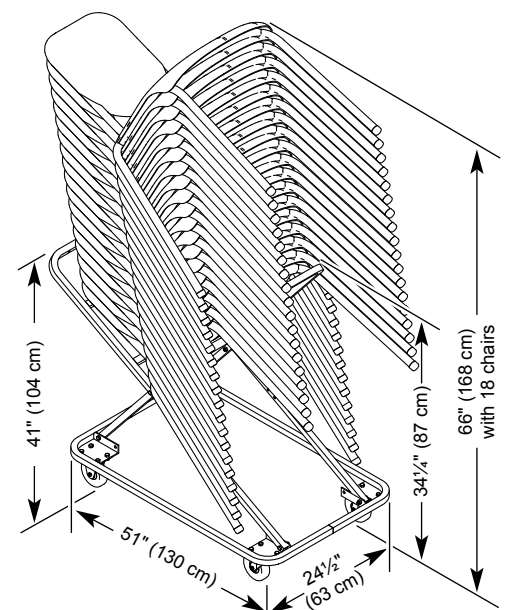
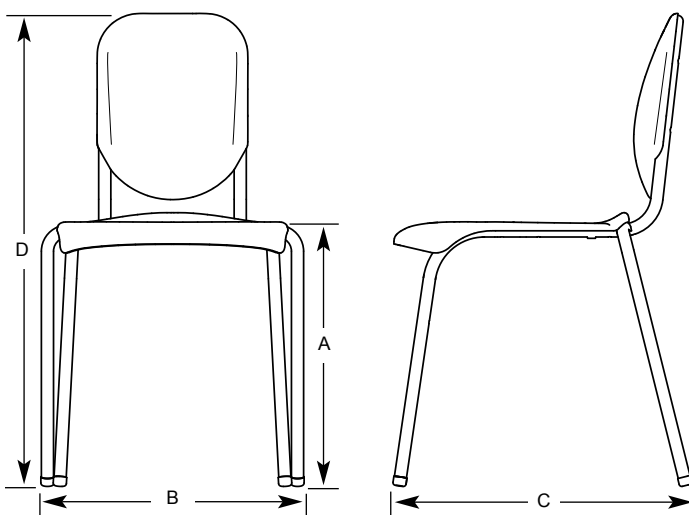
Each zone enhances performance by promoting a naturally balanced skeletal shape, reducing muscle strain and enabling increased circulation, freedom of movement, and diaphragmatic breathing.

- Narrow convex back provides lumbar support while still allowing for freedom and range of movement.
- Wear resistant polypropylene seat and back promote even weight distribution, greater comfort and a lasting appearance.
- Seat and back available in five colors: Black, Plum, Red, Green and Blue.
- Back is 1/8" (3 mm) thick.
- Seat is 9/64" (3.6 mm) thick.
- 14-gauge 7/8" (22 mm) welded round tube frame.
- Black or Grey powder-coat paint finish for maximum durability. Chrome finish is also available.
- Available in heights of 14.5" (37 cm), 16" (41 cm), 17.5" (44 cm), 19" (48 cm), 20.5" (52 cm).
- Rounded waterfall front allows one height of chair to accommodate a wider range of body sizes.
- Durable, specially designed floor glides provide stability when seated and ease of movement when arranging chairs.
- Chairs stack for compact storage, up to 18 chairs on a cart; 8 without a cart. If chairs are equipped with the Ganging Clamp Accessory, they can be stacked no more than 6 high.
- Specially designed stacking bumpers provide maximum stability and protection when chairs are stacked.
- ANSI/BIFMA x 5.1-2002.
- California Technical Bulletin 133 compliant.
- GREENGUARD Indoor Air Quality Certified[®] and GREENGUARD Children & SchoolsSM Certified.
- Environmental attributes and LEED compliance for this product can be found at www.wengercorp.com/GREEN or by contacting your Wenger representative.
- Five-year warranty.



Chair Height	A*	B	C	D
14 1/2" (36 cm)	14 1/2" (36 cm)	19" (48 cm)	19 3/8" (49 cm)	29 1/8" (74 cm)
16" (40 cm)	16" (40 cm)	19" (48 cm)	20 1/8" (51 cm)	30 3/4" (78 cm)
17 1/2" (44 cm)	17 1/2" (44 cm)	19" (48 cm)	21" (53 cm)	32 1/4" (82 cm)
19" (48 cm)	19" (48 cm)	19" (48 cm)	21 5/8" (55 cm)	33 7/8" (86 cm)
20 1/2" (52 cm)	20 1/2" (52 cm)	19" (48 cm)	22 1/4" (57 cm)	35 3/8" (90 cm)

*Dimension "A" measures frame height, not seat height.



Move 'N Store Cart

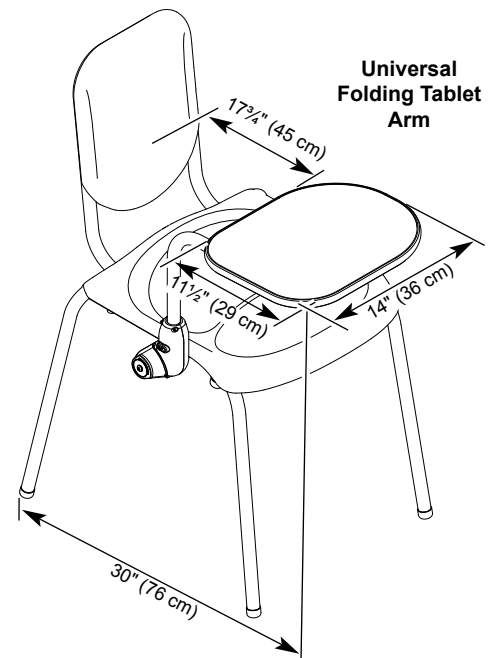
Accessories Include:

Move 'N Store Cart

- 054D161 32 lbs (14.5 kg).
- Stack, move and store up to 18 Nota Standard Chairs.
- 16-gauge steel construction with easy roll casters.

Universal Folding Tablet Arm

- 0331010 5 lbs (2.3 kg).
- Can be set up for either right or left hand configuration.
- Choice of laminated surface colors: Pebble, Graphite, Cherry, Evening Tigris, Fusion Maple and Solar Oak.
- 14" x 11½" (35 x 29 cm) desk surface.
- Black polycarbonate desk tray.
- 14-gauge support assembly.
- Can be added at any time.
- Chairs cannot be stacked with this accessory attached.



Book & Music Storage Rack

- 190A066 2 lbs (1 kg).
- Mounts under chair.
- Black powder-coat paint finish for maximum durability.
- 3/16" diameter solid steel rod construction.
- Can be added at any time.
- Maximum storage weight: 30 lbs.
- Chairs cannot be stacked with this accessory attached.

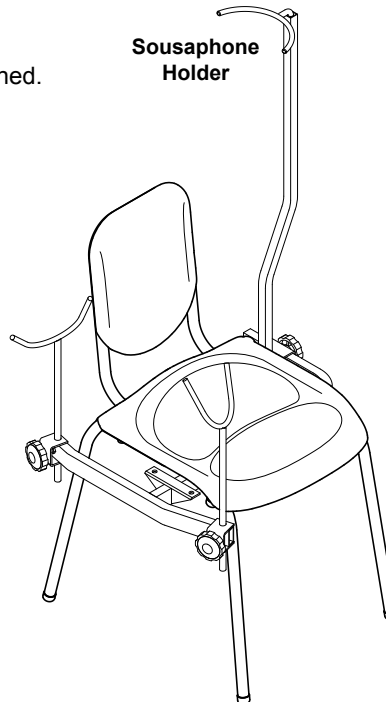


Tuba Rest

- 190A187 3 lbs (1.4 kg).
- Thru-bolted frame 16-gauge steel construction supports the full weight of the tuba.
- Height and depth adjustable.
- Vinyl protective coating.
- Can be added at any time.
- Chairs cannot be stacked with this accessory attached.

Sousaphone Holder

- 190A184 11 lbs (5 kg).
- 14-gauge steel support frame and 16-gauge steel uprights.
- Supports and helps balance the sousaphone. Can be used for storage.
- Adjustable height.
- Vinyl protective coating.
- Can be added at any time.
- Chairs cannot be stacked with this accessory attached.

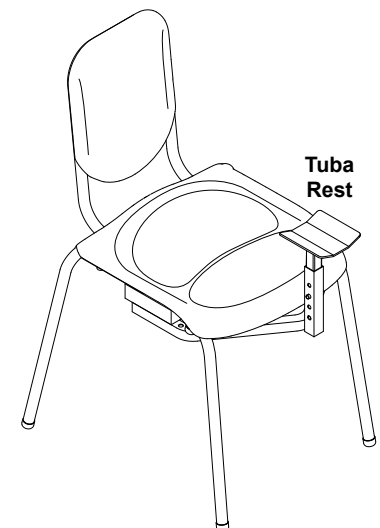


Ganging Clamps

- 190A059.
- Molded polycarbonate.
- Used to connect chairs together.

Dust Cover

- 054D500.
- Vinyl coated polypropylene.
- For use with chairs stacked on cart.



WENGER CORPORATION

555 Park Drive, PO Box 448
Owatonna, MN 55060-0448
Phone 800.4WENGER (493.6437)
Fax 507.455.4258
Customer Service 800.887.7145

WENGER CORPORATION

CANADIAN REPRESENTATIVE OFFICE
Phone 800.268.0148

WORLDWIDE

Phone 507.455.4100
Fax 507.774.8576

WEB SITE

wengercorp.com

Wenger[®]

Your Performance Partner

US/C/1/01-2012/W