

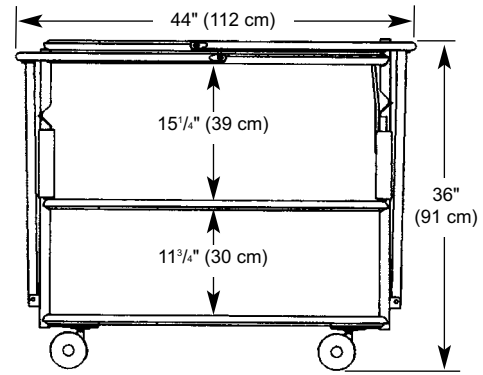
ORFFmobile[®]

- 167C001 - Standard Unit (135 lbs) (61 kg)
- 167C002 - ORFFmobile without middle shelf to accommodate taller bass instruments.
- Overall dimensions: Folded: 44" wide x 24 1/2" deep x 36" high (112 x 62 x 91 cm).
 Unfolded: 113" wide x 24 1/2" deep x 35" high (287 x 62 x 89 cm).
- Unique folding design stores instruments compactly and unfolds to provide proper playing surfaces for Orff instruments.
- Includes four molded polyethylene surfaces for playing and storage. Positioned different heights for various sizes of Orff instruments.
- Frame is constructed of 0.875" (2.2 cm) round tubular steel frame in black powder paint finish.
- Four black neoprene 4" (10 cm) swivel casters.
- Foam-padded leg supports serve as hand grips when in folded position, and also prevent damage to paint finish.
- Includes four 1 3/4" diameter mallet holders.
- Assembly of wheels required by customer.
- Five-year warranty.

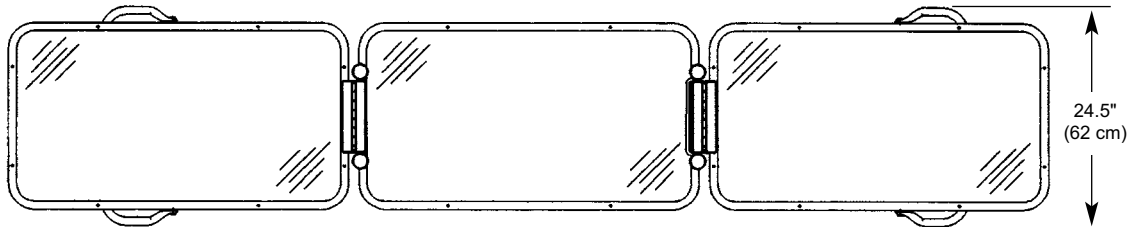
Orff instrument capacity*:

- Folded: 1 - Bass Metallophone or Xylophone
 2 - Soprano or Alto Metallophones or Xylophones
- Unfolded: 1 - Bass Metallophone or Xylophone
 2 - Soprano Metallophones or Xylophones
 2 - Alto Metallophones or Xylophones

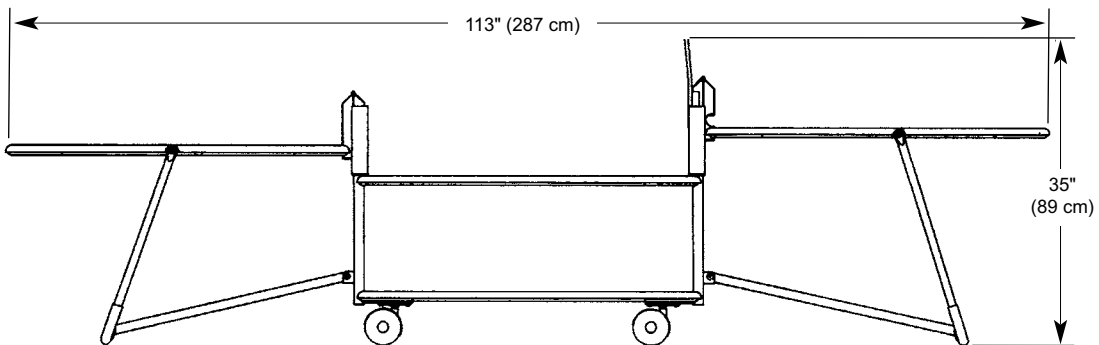
* NOTE: Each outer tray will hold four Soprano or Alto Glockenspiels in place of Metallophones or Xylophones in unfolded position.



ORFFmobile in Folded Position



Top View



Side View

WENGER CORPORATION
555 Park Drive, PO Box 448
Owatonna, MN 55060-0448
Phone 800.4WENGER (493.6437)
Fax 507.455.4258
Customer Service 800.887.7145

WENGER CORPORATION
CANADIAN REPRESENTATIVE OFFICE
Phone 800.268.0148

WENGER CORPORATION
BEIJING REPRESENTATIVE OFFICE
Phone 0086-10-84972502
Fax 0086-10-84972575

WORLDWIDE
Phone 507.455.4100
Fax 507.444.0685

WEB SITE
wengercorp.com