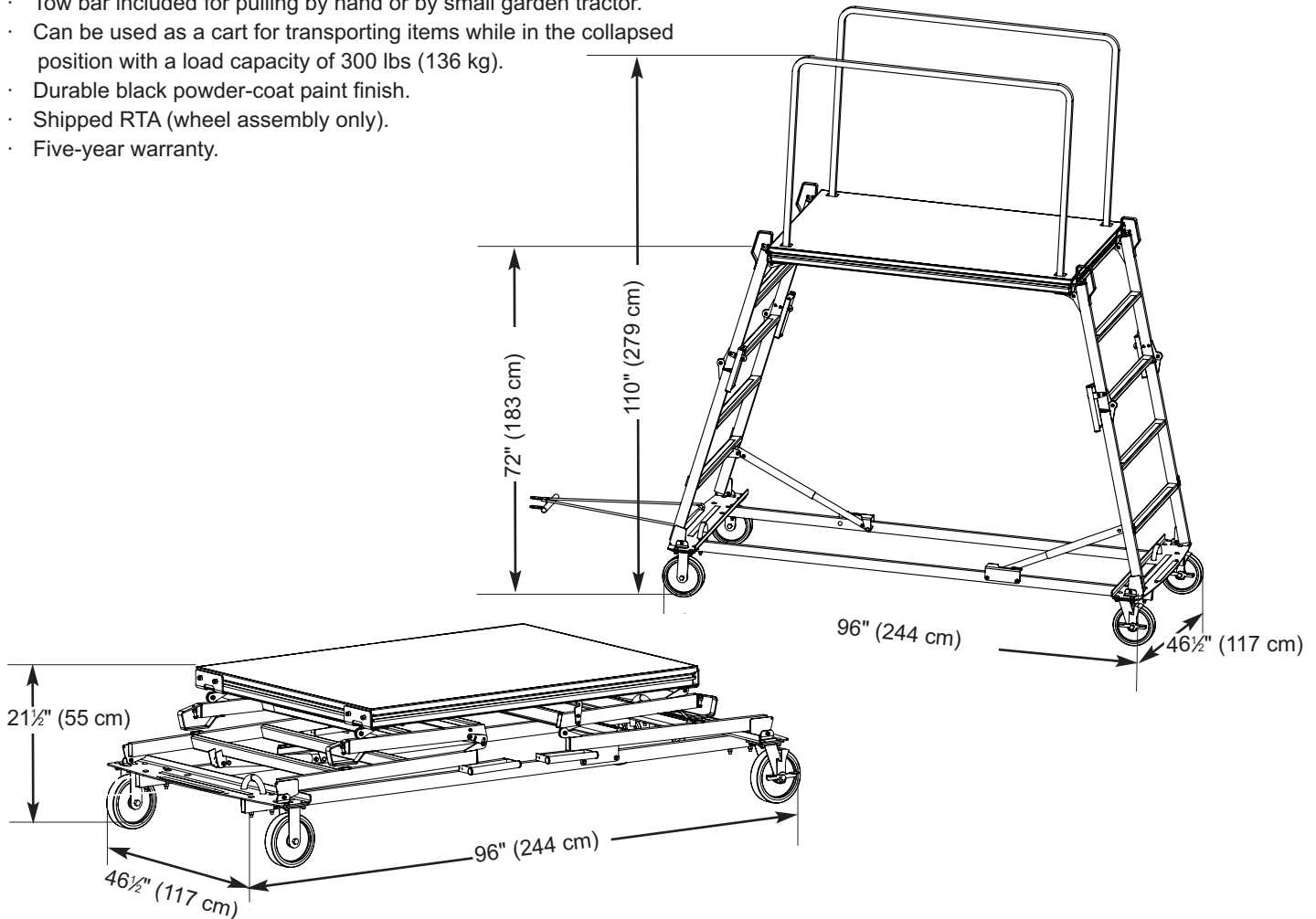


Onboard® Drum Major Podium

- 210A018, OnBoard 72" (183 cm) Drum Major Podium, 263 lbs. (119 kg).
- 46" x 60" (117 cm x 152 cm) deck size designed to accommodate up to two Drum Majors, 600 lbs. (272 kg) maximum.
- Easy fold design allows two people to set up unit in less than one minute.
- Full 40" (102 cm) wide ladders on both sides for fast and easy access with 2" (5 cm) wide rungs for stepping ease.
- Sturdy ¾" deck with lightweight 3" (8 cm) aluminum frame.
- Quadriple anti-slip deck surface.
- All Steel Frame for maximum durability.
- Includes two gas assist springs for easy lift.
- Folds flat onto 8" (20 cm) wheels for compact storage and rolls easily into trailers and trucks.
- Podium locks into set-up position on four wheels.
- Four non-marring, durable rubber wheels for ease of handling on multiple surfaces.
- Two 1½" (3 cm) tubular, 16-gauge removable Boundary Rails can be positioned front or back with simple see through design.
- Dimensions:
 - Performance position:
 - with rail - 46½" wide x 96" long x 110" high (117 cm x 244 cm x 279 cm).
 - without rail - 46½" wide x 96" long x 72" high (117 cm x 244 cm x 183 cm).
 - Stored position - 46½" wide x 96" long x 21½" high (117 cm x 244 cm x 55 cm).
- Tow bar included for pulling by hand or by small garden tractor.
- Can be used as a cart for transporting items while in the collapsed position with a load capacity of 300 lbs (136 kg).
- Durable black powder-coat paint finish.
- Shipped RTA (wheel assembly only).
- Five-year warranty.



WENGER CORPORATION
555 Park Drive, PO Box 448
Owatonna, MN 55060-0448
Phone 800.4WENGER (493.6437)
Fax 507.455.4258
Customer Service 800.887.7145

WENGER CORPORATION
CANADIAN REPRESENTATIVE OFFICE
Phone 800.268.0148

WENGER CORPORATION
BEIJING REPRESENTATIVE OFFICE
Phone 0086-10-84972502
Fax 0086-10-84972575

WORLDWIDE
Phone 507.455.4100
Fax 507.744.8576

WEB SITE
wengercorp.com