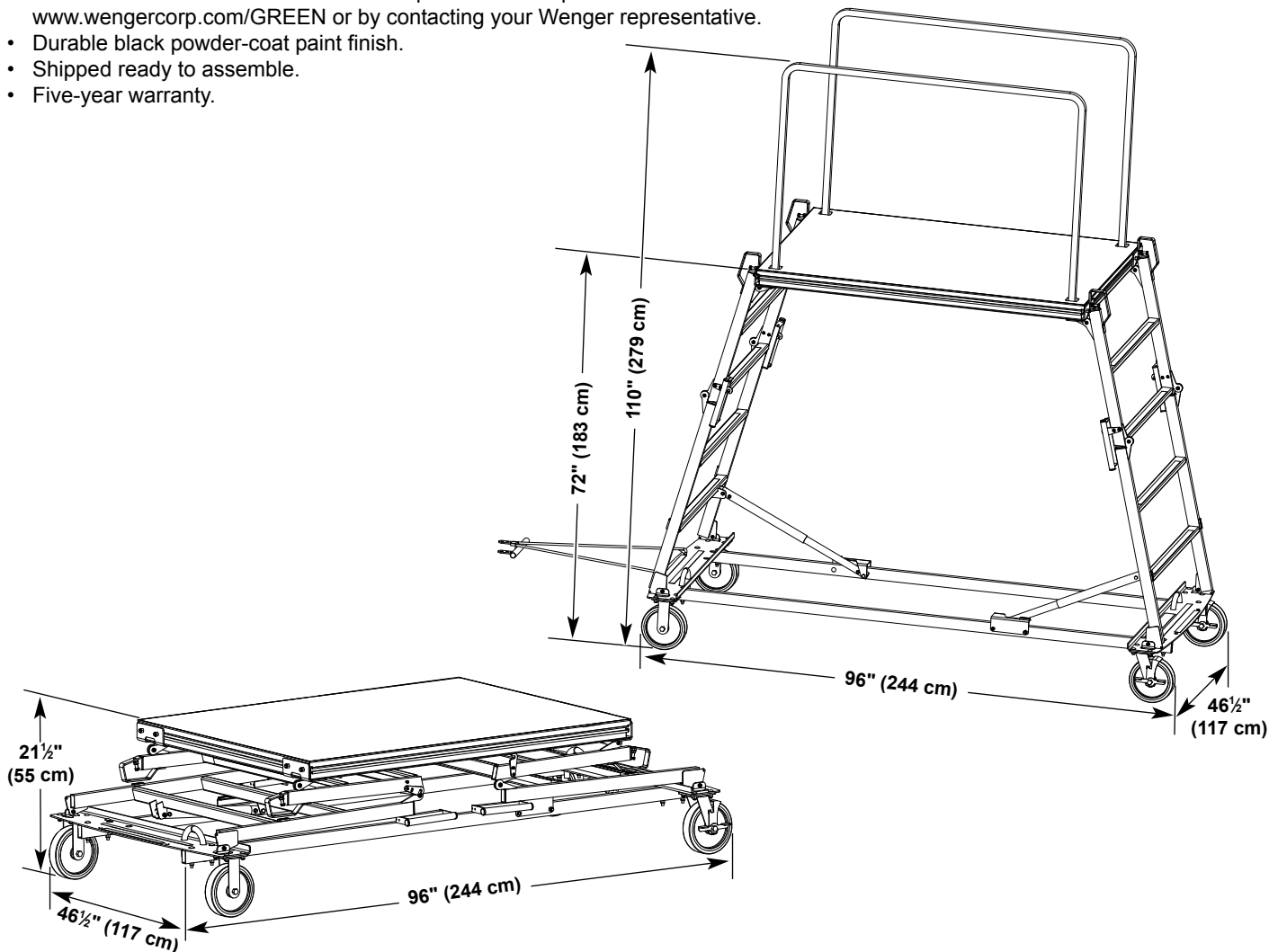


# Onboard® Field Podium

- 210A018 OnBoard 72" (183 cm) Field Podium, 263 lbs. (119 kg).
- 46" x 60" (117 cm x 152 cm) deck size designed to accommodate up to two Drum Majors, 600 lbs. (272 kg) maximum.
- Easy fold design allows two people to set up unit in less than one minute.
- Full 40" (102 cm) wide ladders on both sides for fast and easy access with 2" (5 cm) wide rungs for stepping ease.
- Sturdy  $\frac{3}{4}$ " (1.9 cm) deck with lightweight 3" (8 cm) aluminum frame.
- Quadriple anti-slip deck surface.
- All steel frame for maximum durability.
- Includes two gas assist springs for easy lift.
- Folds flat onto 8" (20 cm) wheels for compact storage and rolls easily into trailers and trucks.
- Podium locks into set up position on four wheels.
- Four non-marring, durable rubber wheels for ease of handling on multiple surfaces.
- Two 1½" (3 cm) tubular, 16-gauge removable boundary rails can be positioned front or back with simple see through design.
- Tow bar included for pulling by hand or by small garden tractor.
- Can be used as a cart for transporting items while in the collapsed position with a load capacity of 300 lbs (136 kg).
- Dimensions:
  - Performance Position:
    - with rail - 46½" wide x 96" long x 110" high (117 x 244 x 279 cm).
    - without rail - 46½" wide x 96" long x 72" high (117 x 244 x 183 cm).
  - Stored Position - 46½" wide x 96" long x 21½" high (117 x 244 x 55 cm).
- Environmental attributes and LEED compliance for this product can be found at [www.wengercorp.com/GREEN](http://www.wengercorp.com/GREEN) or by contacting your Wenger representative.
- Durable black powder-coat paint finish.
- Shipped ready to assemble.
- Five-year warranty.

**WENGER CORPORATION**

555 Park Drive, PO Box 448  
 Owatonna, MN 55060-0448  
 Phone 800.4WENGER (493.6437)  
 Fax 507.455.4258  
 Customer Service 800.887.7145

**WENGER CORPORATION**

**CANADIAN REPRESENTATIVE OFFICE**  
 Phone 800.268.0148

**WORLDWIDE**

Phone 507.455.4100  
 Fax 507.774.8576

**WEB SITE**

[wengercorp.com](http://wengercorp.com)