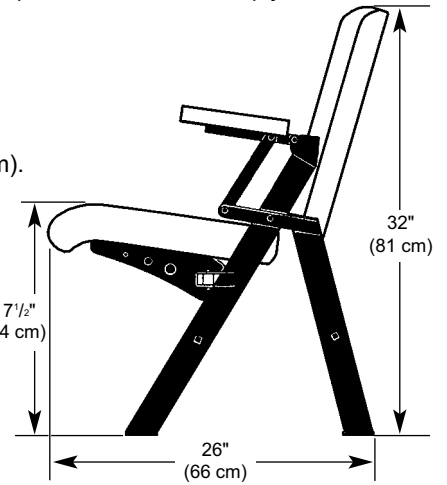


Portable Audience Chairs — Standard

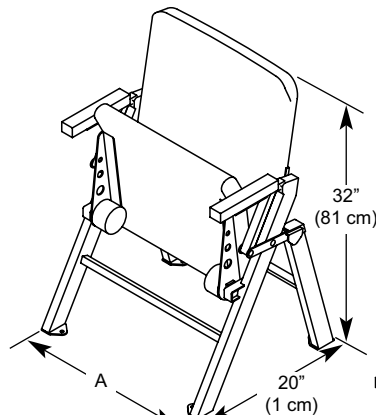
- Portable Audience Chair — Standard 23" (58 cm) (see chart below for other widths)
 - Single (027A101._): 35 lbs (16 Kg)
 - Double (027A102._): 55 lbs (25 Kg)
 - Triple (027A103._): 82 lbs (37 Kg).
- Freestanding, folding, audience seating chair with built-in ganging device.
- Steel chair frame is constructed with 16 gauge continuous electric welded 1" x 2" (2.54 x 5 cm) rectangular steel tube.
- Frame is finished with a durable black powder coat.
- Portable Audience Chair has yellow birch hardwood arm rest in black lacquer finish with rounded corners for a stylish appearance.
- The chair folds for storage and transport on the accessory cart.
- Seat and back are upholstered with durable 100% Polypropylene fabric (Sherpa and Shire Marquesa® Lana). Available in standard Absecon Mills, Sherpa and Shire fabrics.
- Seat cushion is 2½" (6 cm) thick, high-resiliency polyurethane foam with a 5 ply-3/8" (10 mm) contoured hardwood plywood substrate.
- Back cushion is 1½" (4 cm) thick, high-resiliency polyurethane foam with a 5 ply-3/8" (10 mm) contoured hardwood plywood substrate. Back cushion is shaped to provide lumbar support for long-term comfort.
- Chair seat is spring-loaded and returns to a folded position when not occupied.
- Overall chair height is 32" (81 cm) with a seat height of 17½" (44 cm).
- Chair depth (back of chair to front edge of seat in the "down" position) is 26" (66 cm).
- When the seat automatically returns to the "up" position, the chair depth is 20" (51 cm).
- Available in six chair widths: 21", 22", 23", 24", 25" and 26" (53, 56, 58, 61, 64 and 66 cm).
- ANSI/BIFMA x 5.1-2002
- ASTM F851-87 (2000)
- Five-year warranty.

Options

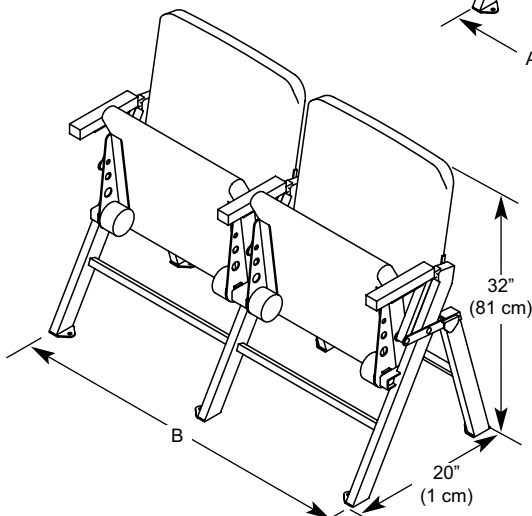
- Number/Letter sets are magnetic or self-adhesive in brushed gold with black lettering. (44 cm)
- Blank donor plates in brushed gold for engraving by the customer.
- Armrest relief to accept donor plates.
- Drink holder.
- California Technical Bulletin 133 compliant.



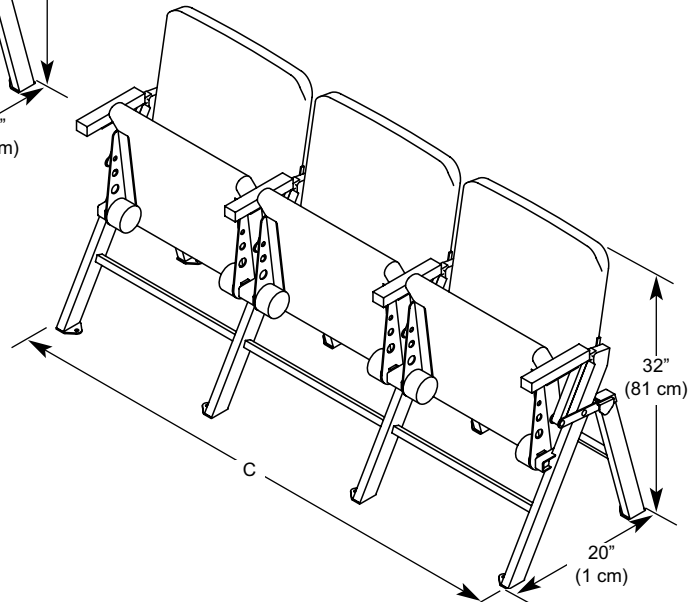
Common Dimensions
Single, Double and Triple Chairs



Single Chair



Double Chair



Triple Chair

Chair Widths (outside to outside)

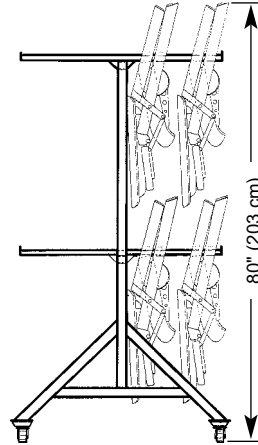
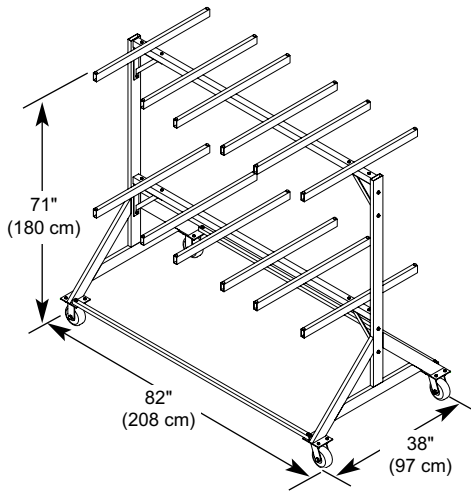
Single (A)	21" (53 cm)	22" (56 cm)	23" (58 cm)	24" (61 cm)	25" (64 cm)	26" (66 cm)
Double (B)	40" (102 cm)	42" (107 cm)	44" (112 cm)	46" (117 cm)	48" (122 cm)	50" (127 cm)
Triple (C)	59" (150 cm)	62" (157 cm)	65" (165 cm)	68" (173 cm)	71" (180 cm)	74" (188 cm)

Storage/Transport Cart

- 027A036 150 lbs (68 kg).
- Rack, move, and store up to 24 Wenger portable audience seating chairs.
- Steel construction with easy-roll casters.
- Overall cart dimensions: 70" high x 82" wide x 38" deep (178 x 208 x 97 cm).
Cart will not fit through a standard 32" (81 cm) door.
- Overall cart dimensions with stored chairs: 80" high x 82" wide x 38" deep (200 x 208 x 97 cm).
- Five-year warranty.
- Assembly required.

Dust Cover

- 027A037
- Vinyl Coated Polyester
- For use with chairs stacked on cart.



Wenger®

Your Performance Partner

WENGER CORPORATION
555 Park Drive, PO Box 448
Owatonna, MN 55060-0448
Phone 800.4WENGER
Fax 507.455.4258
Customer Service 800.887.7145

WENGER CORPORATION
CANADIAN REPRESENTATIVE OFFICE
Phone 800.268.0148

WENGER CORPORATION
BEIJING REPRESENTATIVE OFFICE
Phone 0086-10-84972502
Fax 0086-10-84972575

WORLDWIDE
Phone 507.455.4100
Fax 507.444.0685

WEB SITE
wengercorp.com