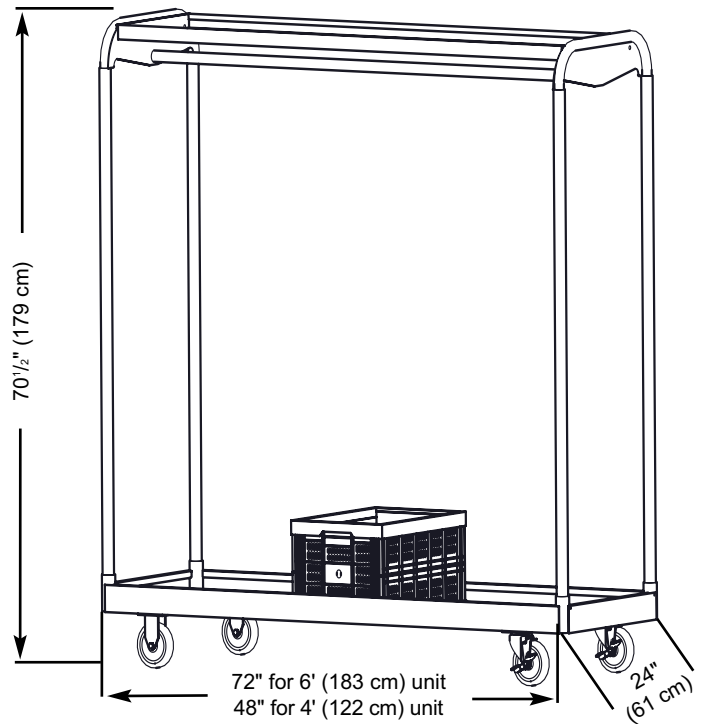
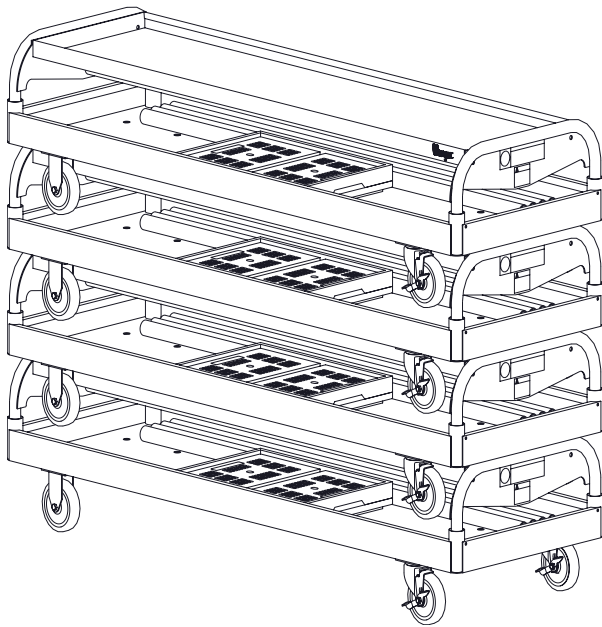


Rack 'N Roll™

- 028B001, 4' (122 cm) Rack 'N Roll 140 lbs (63.5 kg) including one basket.
- 028B002, 6' (183 cm) Rack 'N Roll 163 lbs (74 kg) including one basket.
- Ideal for transporting props, costumes, or other garments.
- Equipped with full-length hanger bar with space for full-length costumes.
- Folding basket organizes smaller items and stores compactly when not in use.
- 14-gauge bottom shelf protects longer garments from dragging on the floor.
- 16-gauge top shelf is ideal for lightweight items.
- Fits through standard 32" (81 cm) door.
- 4' (122 cm) model is designed for use in passenger elevators. Minimum elevator size: 5' (153 cm).
- 4' (122 cm) model designed for one-person operation. Two people required for 6' (183 cm) model.
- Assembles without the use of tools (1/2" wrench required for initial caster assembly only).
- Durable powder coat paint finish: Black texture.
- Hanger bar constructed of 1 1/4" 11-gauge tubing.
- Uprights constructed of 13-gauge, 1 1/2" inch outside diameter (4 cm) round tubing.
- 5" (13 cm) swivel and rigid, non-marking casters provide easy maneuverability.
- Basket is 20 7/8" x 14" w x 10 7/8" h (53 x 35 x 27 cm).
- 4' (122 cm) model stores compactly in 24" x 48" (61 x 122 cm) floor space. Allow 70 1/2" (179 cm) for height (unloaded).
- 6' (183 cm) model stores compactly in 24" x 72" (61 x 183 cm) floor space. Allow 70 1/2" (179 cm) for height (unloaded) plus 3/8" brake protrusion on one side.
- Top of hanger bar to top of bottom shelf is 5' 1" (155 cm).
- Dust Covers have security straps and two zippers on one side. Constructed with 600 Denier material. Black in color.
- Five year warranty.

Optional Accessories

- 028B007 Additional Folding Basket, 4.1 lbs (1.9 kg)
- 028B013 Costume Divider Tags, pack of 25
- 210A230 Hanger Retainer Clips, pack of 40
- 028B014 4' (122 cm) Dust Cover
- 028B015 6' (183 cm) Dust Cover
- 028B016 Privacy Screen



Multiple Rack 'n Roll units can be stored stacked as shown to the left. It is recommended that the maximum number of stacked units do not exceed four. Also it is recommended that two people stack the units for storage. Not intended to be moved when stacked.

WENGER CORPORATION
555 Park Drive, PO Box 448
Owatonna, MN 55060-0448
Phone 800.4WENGER
Fax 507.455.4258
Customer Service 800.887.7145

CANADA
(219 Dufferin,
Suite 117C
Toronto, Ontario M6K 3J1
Phone 800.268.0148
Fax 416.754.3996

BEIJING REPRESENTATIVE OFFICE
Tel 0086-10-84972502
Fax 0086-10-84972575

WORLDWIDE
Phone 507.455.4100
Fax 507.444.0685

WEB SITE
wengercorp.com