

STRATA® Event Staging and Tent Floor Accessories

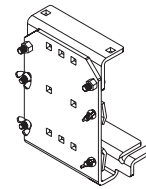
STRATA® Event Staging and Tent Floor is an effective, flexible flooring solution that substantially reduces the construction cost for large tent floors and special event staging. It is an innovative system of modular decks and aluminum beams that assembles into three types of flooring. Assembly is fast and very simple. Storage of components requires a minimal amount of space. Transportation to event sites is easy. STRATA is flexible in that the three floor types interconnect and can be set up in any geometric shape. Other than cleaning and inspecting for mechanical integrity, no maintenance is required. STRATA components can be restocked for reuse for future events.

Intended Use

- STRATA Event Staging and Tent Floor Accessories are intended to be set up inside or outside in fair weather conditions.
- STRATA Accessories can be stored inside or outside and resist the effects of weather and salty environments.
- STRATA Event Staging and Tent Floor Accessories are intended to be used with other STRATA Event Staging and Tent Floor components.

Rail Plate Assembly

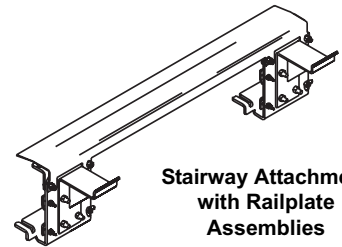
- Five year warranty.
- The Rail Plate Assembly is a bracket used to attach guardrails, stairways, or other items to the side of a Main Beam or a Spanner Beam.
- Made from 1/4" (6 mm) formed steel plate with a powder-coat paint finish.
- Shipped ready-to-assemble in pairs.



Rail Plate Assembly

Stairway Attachment Assembly

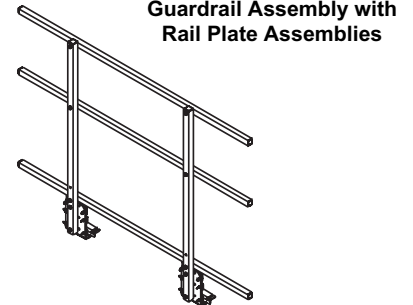
- Five year warranty.
- The Stairway Attachment Assembly is a bracket assembly, used with two Rail Plate Assemblies, that connects a stairway to the side of a Main Beam.
- Made from 10-gauge and 3/16" (5 mm) formed and welded steel plate with a powder-coat paint finish.
- Shipped ready-to-assemble (kit does not include Rail Plate Assemblies).



Stairway Attachment with Railplate Assemblies

Guardrail Assembly

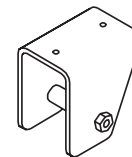
- Five year warranty.
- The Guardrail Assembly, used with two Rail Plates Assemblies, attaches to Main Beams.
- Guardrail Assemblies are available in three lengths, 4' (1.22 m), 6' (1.82 m), and 8' (2.44 m).
- Components consist of two uprights, 1 1/4" (32 mm) 14-gauge square steel tube with a powder-coat paint finish and three cross rails, 1" (25 mm) 16-gauge square steel tube with a powder-coat paint finish.
- Shipped ready-to-assemble (kit includes a pair of Rail Plate Assemblies).



Guardrail Assembly with Rail Plate Assemblies

Beam Link Assembly

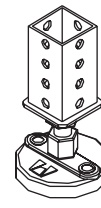
- Five year warranty.
- The Beam Link Assembly is a bracket that connects a Beam Cap to a Main Beam (to create a ramp or connect a Laydown Floor to a Leveled Floor).
- Made from 1/4" (6 mm) formed steel plate with a powder-coat paint finish.
- Shipped ready-to-use in pairs.



Beam Link Assembly

Articulating Leveling Foot

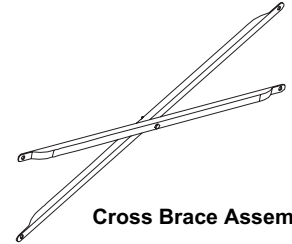
- Five year warranty.
- The Articulating Leveling Foot attaches to Leveled Floor Telescoping Legs and allows precise leveling of the Leveled Floors.
- The Foot has a glass-filled nylon pad and ball and stud swivel that accommodates ground slopes up to 15-degrees. The Foot stud connects to a 1/4" (6 mm) steel plate welded to a 2" (51 mm) square galvanized steel perforated tube.
- The Foot has a load capacity of 8,000 lbs (35.6 kN) and an adjustment range of 1" (25 mm).
- Shipped ready-to-use.



Articulating Leveling Foot

Cross Bracing

- Five year warranty.
- Cross Bracing provides stability to Leveled Floors higher than 48" (1.22 m).
- Made from 1" (25 mm) diameter 15-gauge galvanized steel tube.
- Shipped ready-to-use.
- Single 3' (91 cm) kit.
- Ten Pack 3' (91 cm).
- Single 4' (122 cm) kit.
- Ten Pack 4' (122 cm).



Cross Brace Assembly

Indoor Beam Cart Specifications

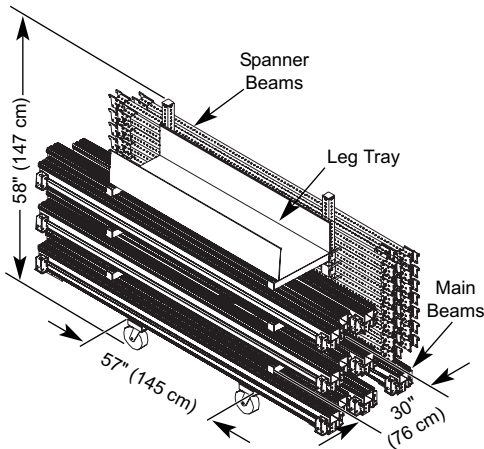
- Five year warranty.
- Supports an evenly distributed maximum load of 2600 lbs (1179 kg).
- Transports the Main Beams and Telescoping Legs.
- Overall dimensions (unloaded): 30" wide x 57" deep x 58" high (76 x 145 x 147 cm).

Outdoor Cart Specifications

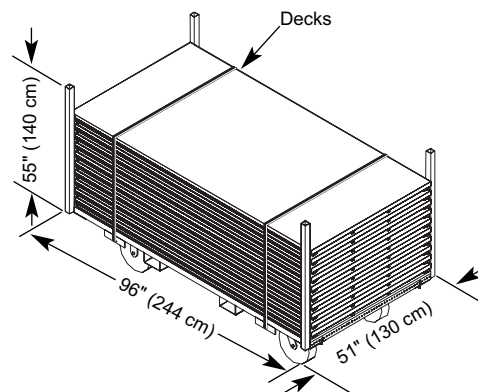
- Five year warranty.
- Supports an evenly distributed maximum load of 1200 lbs (544 kg).
- Can be used to transport decks, beams or miscellaneous hardware.
- Overall dimensions (unloaded): 51" wide x 96" deep x 55" high (130 x 244 x 140 cm).

Stage Cart Specifications

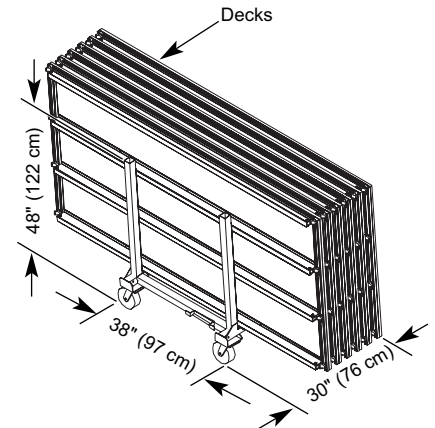
- Five year warranty.
- Transports up to six STRATA® decks.
- For indoor use.
- Overall dimensions (unloaded): 30" wide x 38" deep x 48" high (76 x 97 x 122 cm).



Indoor Beam Cart



Outdoor Cart



Stage Cart

Wenger®

WENGER CORPORATION
555 Park Drive, PO Box 448
Owatonna, MN 55060-0448
Phone 800.4WENGER
Fax 507.455.4258
Customer Service 800.887.7145

CANADA
(Dufferin Liberty Center)
219 Dufferin, Suite 117C
Toronto, Ontario M6K 3J1
Phone 800.268.0148
Fax 416.754.3996

EUROPE
Tel +31 26 376 0500
Fax +31 26 362 8100
wenger-europe.com

BEIJING REPRESENTATIVE
OFFICE OF WENGER
Tel 0086-10-84972502
Fax 0086-10-84972575

WORLDWIDE
Phone 507.455.4100
Fax 507.444.0685

WEB SITE
wengercorp.com