

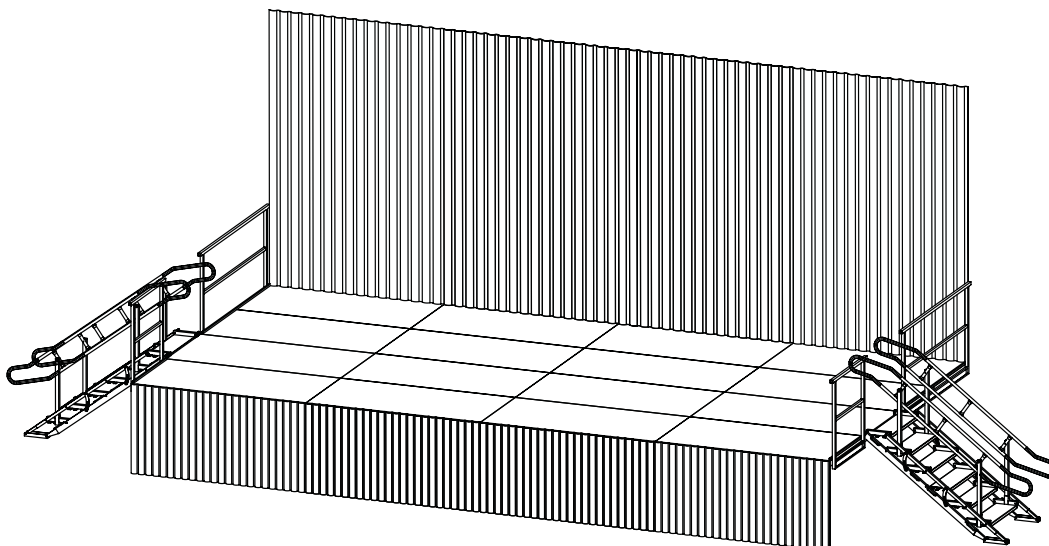
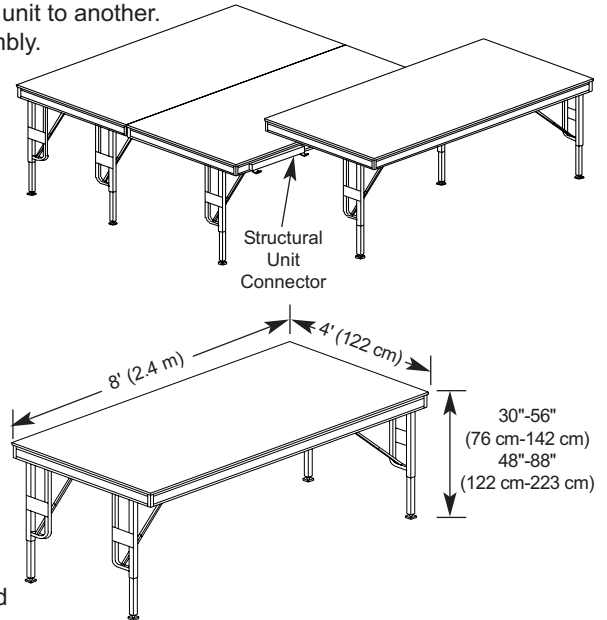
Showmaster® Platform System

System Description

- Portable platform system comprised of a series of interlocking decks with integral legs to create a single height platform area with infinite height ranges 30" - 56" (76.2 - 142 cm) and 48" - 88" (122 - 224 cm).
- Assembly and takedown of units is accomplished without the use of special tools.
- Units have structural member connectors which provide support from one unit to another.
- Stage units are provided with four (4) or two (2) legs as required for assembly. The unit to unit connectors are designed to be a quick connect and disconnect. They can be positioned at any location around the perimeter of the unit.

Stage Units

- Decks are available in 4' x 8' (122 x 244 cm).
- Deck weights:
 - $\frac{1}{2}$ " Top - 4 leg (30"-56" Elev) - 4' x 8' (122 x 244 cm) - 202 lbs (91 kg)
 - $\frac{1}{2}$ " Top - 2 leg (30"-56" Elev) - 4' x 8' (122 x 244 cm) - 169 lbs (76 kg)
 - $\frac{3}{4}$ " Top - 4 leg (30"-56" Elev) - 4' x 8' (122 x 244 cm) - 220 lbs (98 kg)
 - $\frac{3}{4}$ " Top - 2 leg (30"-56" Elev) - 4' x 8' (122 x 244 cm) - 187 lbs (84 kg)
 - $\frac{1}{2}$ " Top - 4 leg (48"-88" Elev) - 4' x 8' (122 x 244 cm) - 228 lbs (102 kg)
 - $\frac{1}{2}$ " Top - 2 leg (48"-88" Elev) - 4' x 8' (122 x 244 cm) - 180 lbs (81 kg)
 - $\frac{3}{4}$ " Top - 4 leg (48"-88" Elev) - 4' x 8' (122 x 244 cm) - 246 lbs (110 kg)
 - $\frac{3}{4}$ " Top - 2 leg (48"-88" Elev) - 4' x 8' (122 x 244 cm) - 200 lbs (90 kg).
- Surface options:
 - All decks are $\frac{1}{2}$ " (1.27 cm) or $\frac{3}{4}$ " (1.9 cm) overall thickness using exterior grade plywood core.
 - Outer surface is available in $\frac{1}{8}$ " (0.318 cm) thick smooth tempered hardboard or textured black poly and textured grey poly options.
- Frame and edging are fabricated from formed steel. Both frame and edging are welded into a one piece unitized assembly. Frame finish is bright zinc or black powder coat paint. Frame thickness is $4\frac{9}{16}$ " (11.58 cm) with a $\frac{1}{2}$ " (1.27 cm) thick unit top and $4\frac{13}{16}$ " (12.22 cm) with a $\frac{3}{4}$ " thick unit top.
- Legs are constructed of steel tubing and have an inner telescoping leg slide.
- Leg slides are provided with two height adjustments: one with 4" (10.16 cm) increments for gross adjustments, the other is a screw-type for fine adjustment.
- Legs fold within the frame dimensions and are an integral part of each stage unit. The leg and slide finish are zinc plate.
- Leg stabilizers are required to provide additional stability when the height of the stage is set above 56" (142.2 cm).

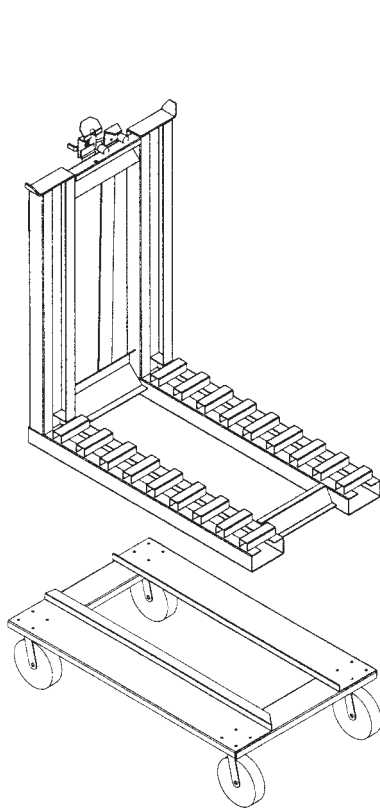


Typical Showmaster® Platform System

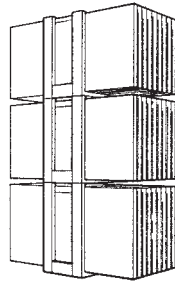
Available Accessories:

Storage System for Stage Units

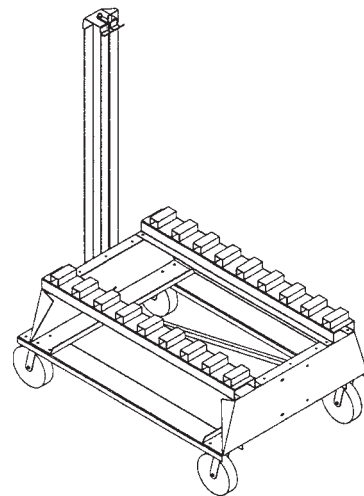
- 9-Unit castered truck ideal for space efficient storage of rectangular units (double door required)
- 9-Unit stacking storage truck ideal for facilities that have limited storage space and can stack the units to better utilize available height. A caster base is available to accept one stacking storage truck.
This allows for the stacking truck to be converted into a castered truck for transporting and set-up of the stage units.
- Storage truck for back/rail system:
Each storage truck has a capacity of holding 96 linear feet (29.3 m) of back/side rails in combinations of 4' (1.22 m) and 8' (2.44 m) sections. The truck holds 12 sections of 8' (2.44 m) rail or 24 sections of 4' (1.22 m) rail.
Rail truck dimensions are 2' 4" (71 cm) wide x 8' 4" (254 cm) long x 5' 9" (175 cm) height.
- Storage truck for drapery:
Each storage truck has a capacity for holding 20 sections of 4' (1.22m) or 8' (2.44 m) sections.
The capacity with all 8' (2.44 m) sections is 160 linear feet (48.77 m).
Drapery truck dimensions are 2'-4" (71 cm) wide x 8'-0" (244 cm) long x 7'-0" (213 cm) adjustable height.



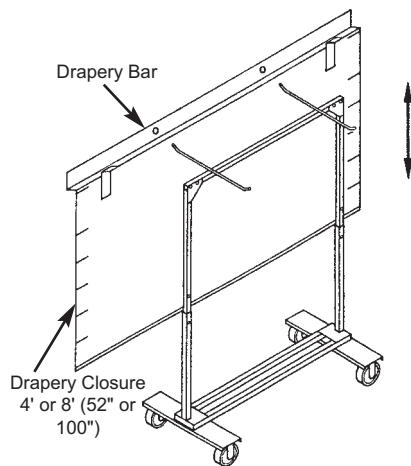
**Stacking Move and Store Cart
with optional castered base**



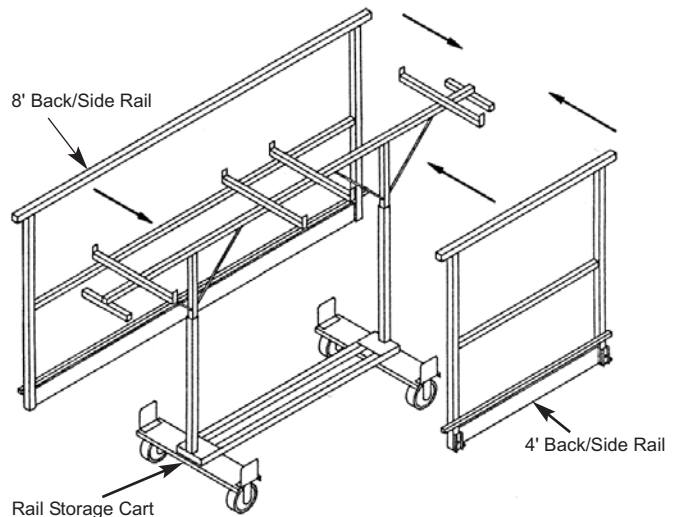
**Fully-Loaded
Carts Stacked
Three-High**



Non-Stacking Move and Store Cart



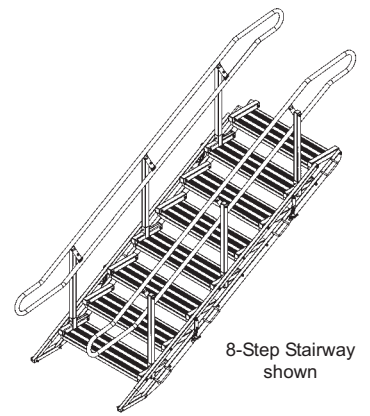
Drapery Truck



Rail Truck

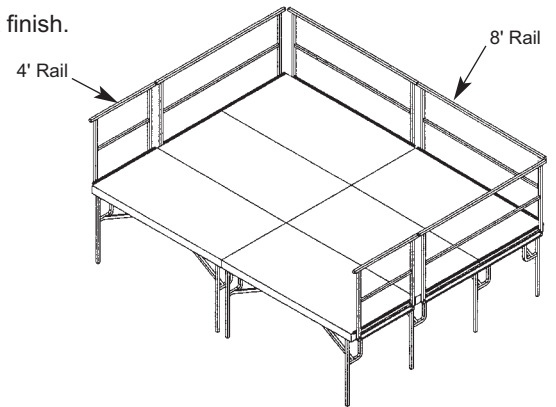
Stairways

- 6-step adjustable height stairway (for stage heights 24" to 48" (61 to 122 cm) 244 lbs (111 kg)
181A257 Assembled
181A016 Ready to assemble.
- 8-step adjustable height stairway (for stage heights 32" to 64" (81 to 163 cm) 310 lbs (141 kg)
181A258 Assembled
181A018 Ready to assemble.
- 9-step adjustable height stairway (for stage heights 36" to 72" (91 to 183 cm) 349 lbs (158 kg)
181A020 Ready to assemble only.



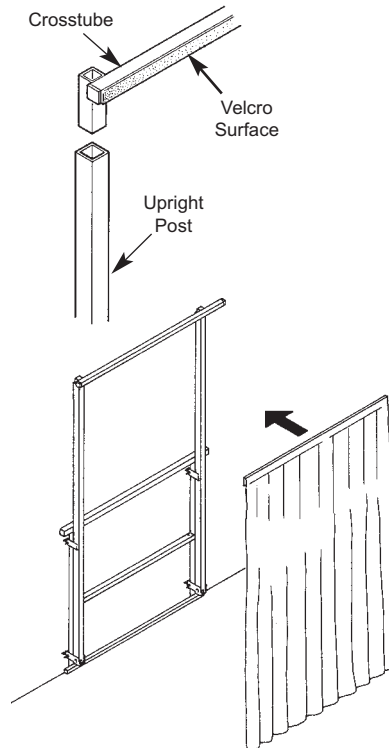
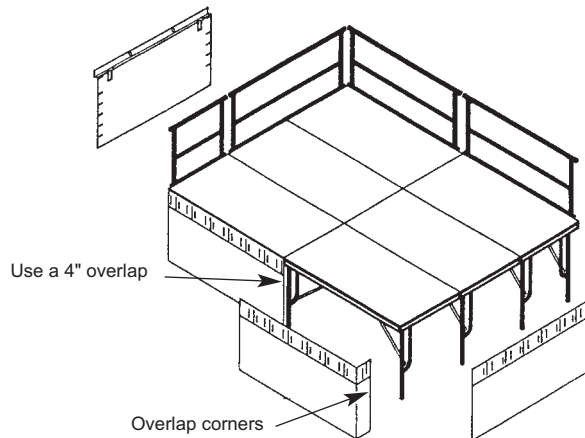
Rails

- Railings are 42" (107 cm) high with a zinc plated finish or a black powder paint finish.
- Railings incorporate a permanent chair stop.



Drapery and Backdrop

- Drapery closures are available in heights to match the staging elevations.
- Drapery is available in a wide variety of colors.
- 100% fire retardant woven polyester.
- Drapery attaches with hook and loop fastening system.
- Backdrop frame attaches to guardrails for safety.
When installed backdrop is 8' (244 cm) above the stage.
Available in 4' (122 cm), 6' (183 cm), and 8' (244 cm) widths.



Wenger®

Your Performance Partner

WENGER CORPORATION
555 Park Drive, PO Box 448
Owatonna, MN 55060-0448
Phone 800.4WENGER (493-6437)
Fax 507.455.4258
Customer Service 800.887.7145

WENGER CORPORATION
Canadian Representative Office
Phone 800.268.0148
Fax 416.754.3996

WENGER CORPORATION
BEIJING REPRESENTATIVE OFFICE
Phone 0086-10-84972502
Fax 0086-10-84972575

WORLDWIDE
Phone 1.507.455.4100
Fax 1.507.444.0685

WEB SITE
wengercorp.com