

Tourmaster® Storage & Transport Carts

Cart for 6' Tourmaster® Risers with 18" steps

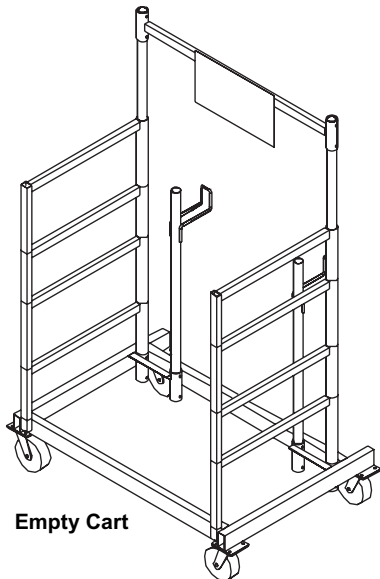
- Part number: 024F950.
- Weights and dimensions:
 Empty: 66" long x 30¹/₄" wide x 77³/₄" high (167 x 77 x 198 cm), 166 lbs (75 kg).
 With 3-step risers and back rail: 84" long x 30¹/₄" wide x 77³/₄" high (213 x 77 x 198 cm), 800 lbs (363 kg).
 With 3-step risers, back rail, and 4th step additions: 106" long x 30¹/₄" wide x 77³/₄" high (269 x 77 x 198 cm), 1012 lbs (459 kg).
- 6" (15 cm) diameter casters, all four casters swivel.
- Cart is steel construction with black baked on powder paint.
- Lift and rotate swing arms out of the way to allow risers to be easily loaded and unloaded.
- Fits through a standard 36" (91 cm) doorway.
- Cart is designed to carry four risers, four rails (back, side or a combination) and four optional 4th-steps.

Cart for 4' Tourmaster® Risers with 18" steps

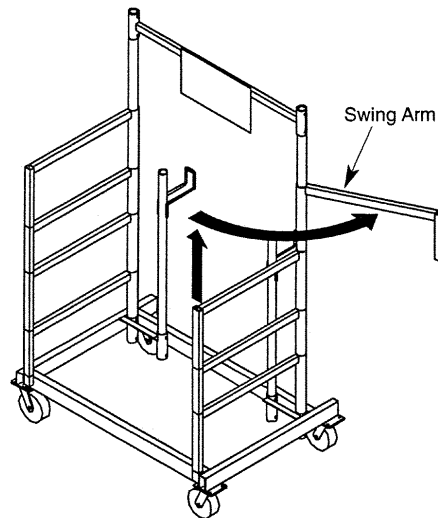
- Part number: 024F951.
- Weights and dimensions:
 Empty: 51" long x 30¹/₄" wide x 77³/₄" high (130 x 77 x 198 cm), 160 lbs (73 kg).
 With 3-step risers and back rail: 68" long x 30¹/₄" wide x 77³/₄" high (173 x 77 x 198 cm), 670 lbs (304 kg).
 With 3-step risers, back rail, and 4th step additions: 87" long x 30¹/₄" wide x 77³/₄" high (173 x 77 x 198 cm), 850 lbs (386 kg).
- 6" (15 cm) diameter casters, all four casters swivel.
- Cart is steel construction with black baked on powder paint.
- Lift and rotate swing arms out of the way to allow risers to be easily loaded and unloaded.
- Fits through a standard 36" (91 cm) doorway.
- Cart is designed to carry four risers, four back rails and four optional 4th-steps.

Cart for Tourmaster® Risers with 24" steps

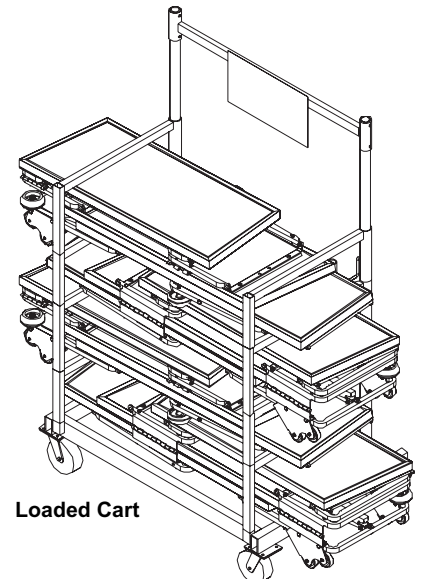
- Part number: 024F952.
- Weights and dimensions:
 Empty: 51" long x 36¹/₄" wide x 77³/₄" high (130 x 92 x 198 cm), 166 lbs (77 kg).
 With 3-step risers and back rail: 68" long x 36¹/₄" wide x 77³/₄" high (173 x 92 x 198 cm), 760 lbs (345 kg).
 With 3-step risers, back rail, and 4th step additions: 87" long x 36¹/₄" wide x 77³/₄" high (221 x 92 x 198 cm), 975 lbs (442 kg).
- 6" (15 cm) diameter casters, all 4 casters swivel.
- Cart is steel construction with black baked on powder paint.
- Lift and rotate swing arms out of the way to allow risers to be easily loaded and unloaded.
- 40" (102 cm) doorway required.
- Cart is designed to carry four risers, four back rails and four optional 4th-steps.



Empty Cart



Swing Arm



Loaded Cart

WENGER CORPORATION
 555 Park Drive, PO Box 448
 Owatonna, MN 55060-0448
 Phone 800.4WENGER
 Fax 507.455.4258
 Customer Service 800.887.7145

CANADA
 (Dufferin Liberty Center)
 219 Dufferin, Suite 117C
 Toronto, Ontario M6K 3J1
 Phone 800.268.0148
 Fax 416.754.3996

EUROPE
 Tel +31 26 376 0500
 wenger-europe.com

BEIJING REPRESENTATIVE
OFFICE OF WENGER
 Tel 0086-10-84972502
 Fax 0086-10-84972575

WORLDWIDE
 Phone 507.455.4100
 Fax 507.444.0685

WEB SITE
 wengercorp.com