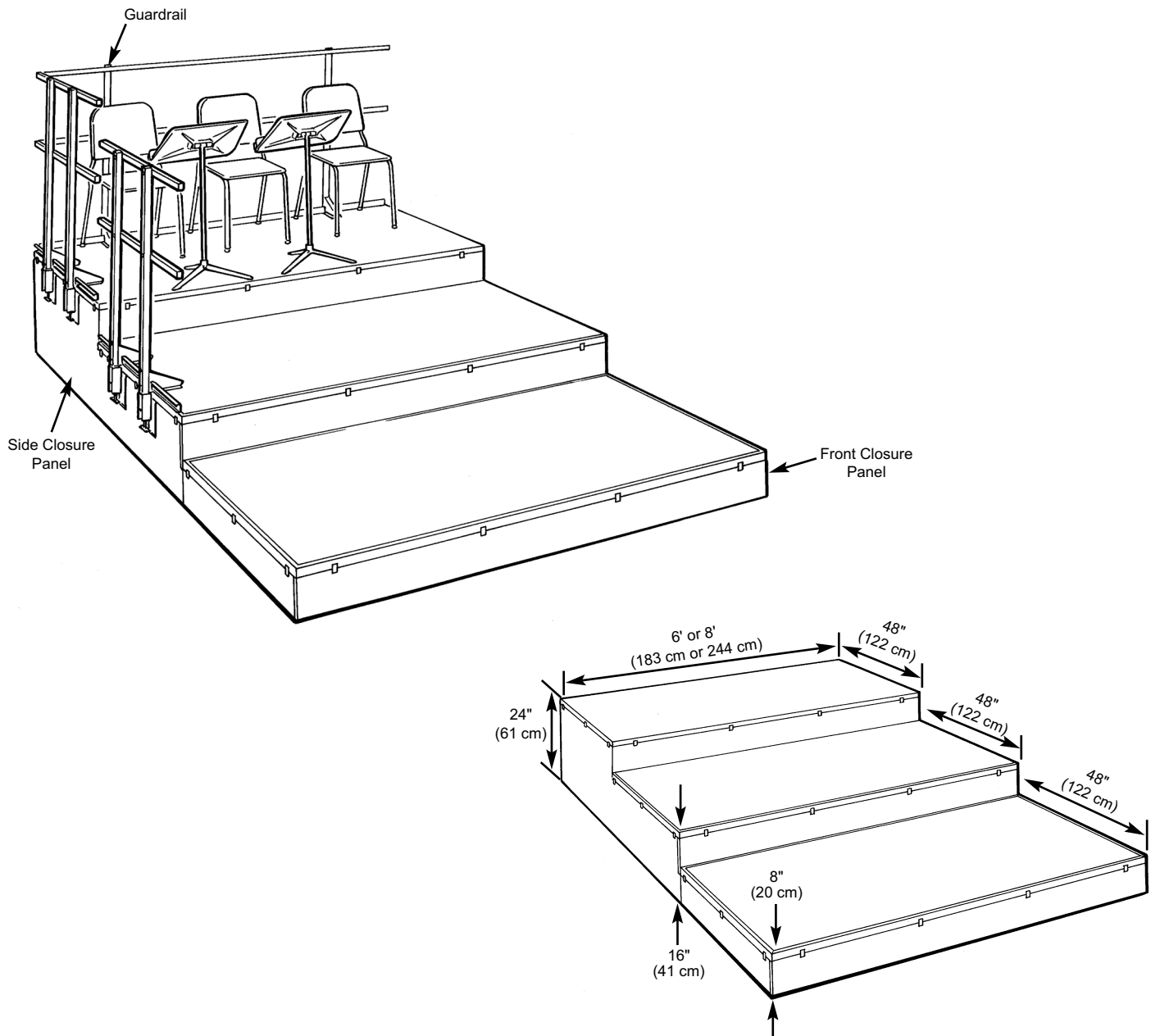


Trouper® Seated Band/Orchestra Risers

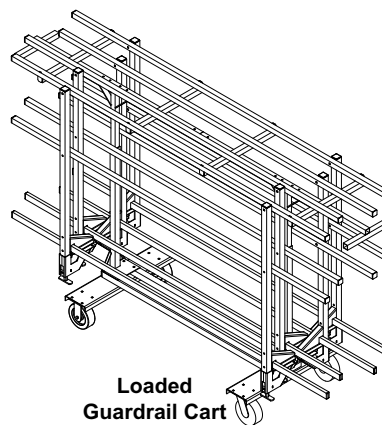
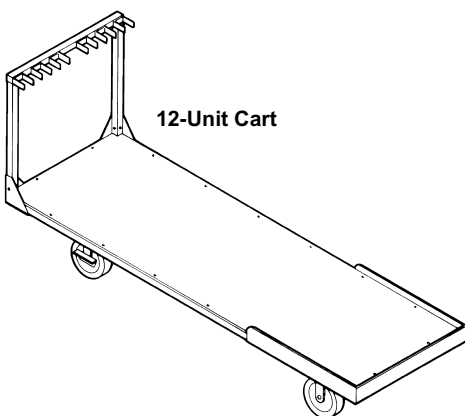
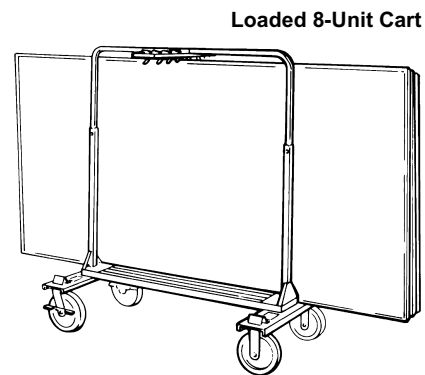
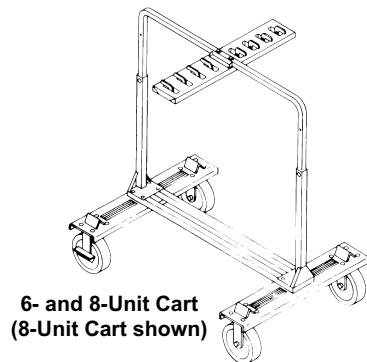
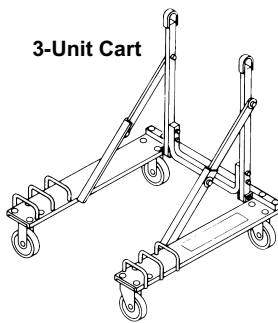
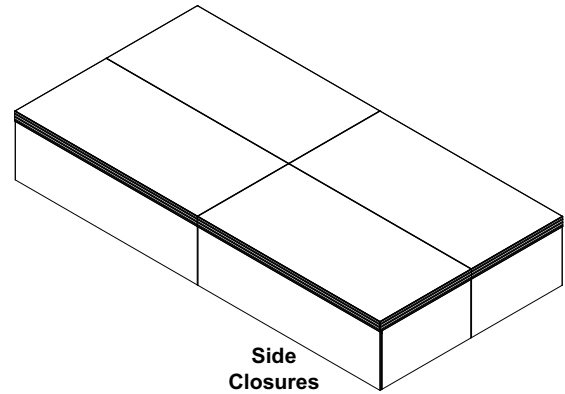
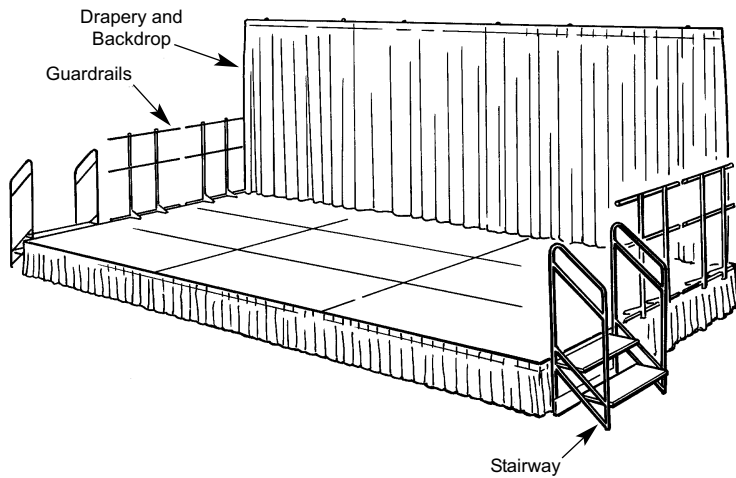
- System consists of individual Trouper staging units, combined to create a multi-level seating arrangement.
- Platforms are available in 4' x 6' (122 x 183 cm) and 4' x 8' (122 x 244 cm) surface dimensions and in standard heights of 8" (20 cm), 16" (41 cm), 24" (61 cm), and 32" (81 cm). Pie-shaped units are also available. Percussion extensions available for the 24" (61 cm) elevation.
- Decks are available in the following surfaces:
 Black: 3/4" (19 mm) 7-ply plywood with a black slip resistant thermally fused overlay.
 Natural: 1/2" (12 mm) 5-ply plywood core with 1/8" (3 mm) hardboard faces.
 Grey Carpet: 3/4" (19 mm) 7-ply plywood with 1/8" (3 mm) (approximate pile height) manufacturer's standard grey carpet.
- Legs are one-piece, 16-gauge, 1 1/4" (3 cm) tubular steel. Legs are designed to open in one motion and are automatically locked in place by a spring-loaded clip.
- Wrap around 16-gauge steel provides strength and protects the deck edge from damage.
- Frame clamps are a quick cam-type lock for positive locking to the frame of the adjacent unit.
 One clamp per side of each stage unit, which provides two clamps per side when units are locked together.
 Wood spacers securely hold the units of different heights together.
- Environmental attributes and LEED compliance for this product can be found at www.wengercorp.com/GREEN or by contacting your Wenger representative
- Five-year warranty.



Accessories

- Side Closure Panels – Close each end of the riser arrangement.
- Front Closure Panels – Closes the gaps between elevations. Gives a finished-off, built-in look.
- Guardrails – Provide a measure of protection while adding a professional appearance.
- Transport Carts – Move units from one location to another. Enables efficient two-person handling.
- Guardrail Carts – Move guardrails from one location to another.

Guardrail, Stairway, Backdrop and Drapery



WENGER CORPORATION
555 Park Drive, PO Box 448
Owatonna, MN 55060-0448
Phone 800.4WENGER (493.6437)
Fax 507.455.4258
Customer Service 800.887.7145

WENGER CORPORATION
CANADIAN REPRESENTATIVE OFFICE
Phone 800.268.0148

WORLDWIDE
Phone 507.455.4100
Fax 507.774.8576

WEB SITE
wengercorp.com