

# Trouper® Storage Carts

## 3-Unit Storage Cart

- 139A001 48 lbs (22 kg).
- All-steel construction. 14-gauge. Zinc plated.
- Dimensions: Empty: 30" wide x 49" long x 34½" high (76 x 124 x 88 cm)  
Loaded: 30" wide x 96" long x 50" high (76 x 244 x 127 cm)  
Folded: 39" wide x 49" long x 7" high (99 x 124 x 18 cm).
- 4" diameter casters. two swivel and two rigid.
- Stage unit is simply rotated off cart and into position.
- Fits through standard 36" (91 cm) doorway.

## 6-Unit Storage Cart

- 130C001 91 lbs (41 kg).
- All steel construction. Zinc plated.
- Dimensions: Empty: 30" wide x 55" long x 59¼" high (76 x 140 x 151 cm)  
Loaded: 30" wide x 96" long x 59¼" high (76 x 244 x 151 cm).
- 8" diameter casters. two swivel and two rigid. Swivel casters lock for safety.
- Stage unit is simply rotated off cart and into position.
- Fits through standard 36" (91 cm) doorway.

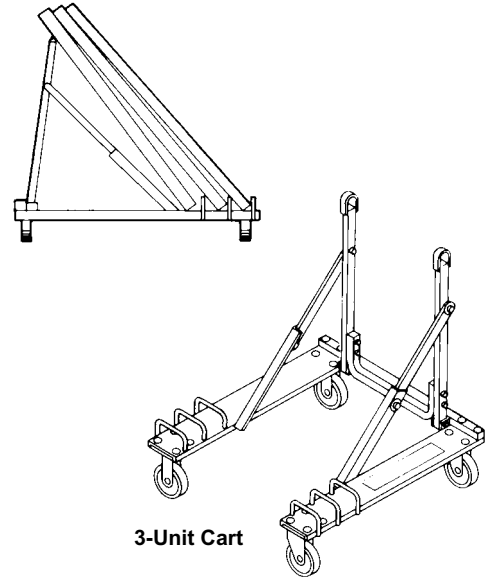
## 8-Unit Storage Cart

- 130C002 99 lbs (45 kg).
- All steel construction. Zinc plated.
- Dimensions: Empty: 37½" wide x 54" long x 60½" high (95 x 137 x 154 cm)  
Loaded: 37½" wide x 96" long x 60½" high (95 x 244 x 154 cm).
- 8" (20 cm) diameter casters. two swivel and two rigid. Swivel casters lock for safety.
- Stage unit is simply rotated off cart and into position.
- 40" (102 cm) doorway required.

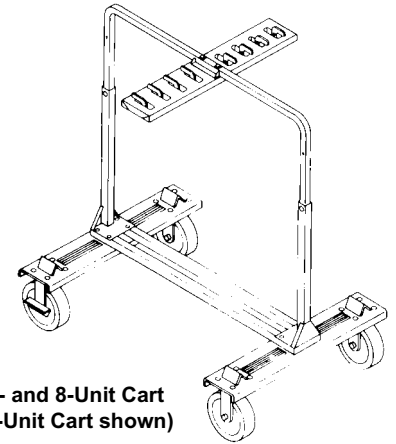
## 12-Unit Storage Cart

- 2289004 156 lbs (71 kg).
- All steel construction. Zinc plated.
- Dimensions: Empty: 32" wide x 99¼" long x 47¼" high (81 x 252 x 120 cm)  
Loaded with 36" units: 32" wide x 99¼" long x 47¾" high (81 x 252 x 121 cm)  
Loaded with 48" units: 32" wide x 99¼" long x 59¾" high (81 x 252 x 152 cm).
- Stage unit is simply rotated off cart and into position.
- Fits through standard 36" (91 cm) doorway.

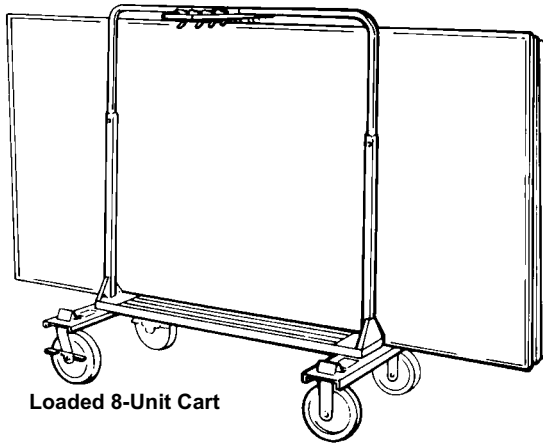
3-Unit Cart side view, loaded



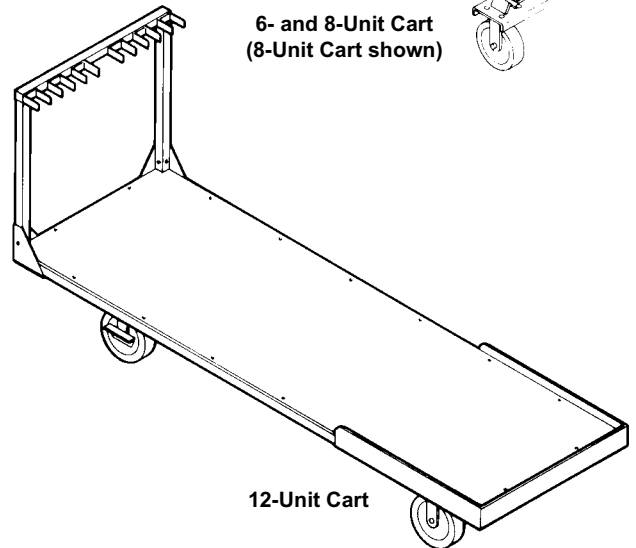
3-Unit Cart



6- and 8-Unit Cart  
(8-Unit Cart shown)



Loaded 8-Unit Cart



12-Unit Cart

**WENGER CORPORATION**  
555 Park Drive, PO Box 448  
Owatonna, MN 55060-0448  
Phone 800.4WENGER  
Fax 507.455.4258  
Customer Service 800.887.7145

**CANADA**  
(Dufferin Liberty Center)  
219 Dufferin, Suite 117C  
Toronto, Ontario M6K 3J1  
Phone 800.268.0148  
Fax 416.754.3996

**EUROPE**  
Tel +31 26 376 0500  
wenger-europe.com

**BEIJING REPRESENTATIVE**  
**OFFICE OF WENGER**  
Tel 0086-10-84972502  
Fax 0086-10-84972575

**WORLDWIDE**  
Phone 507.455.4100  
Fax 507.444.0685

**WEB SITE**  
wengercorp.com