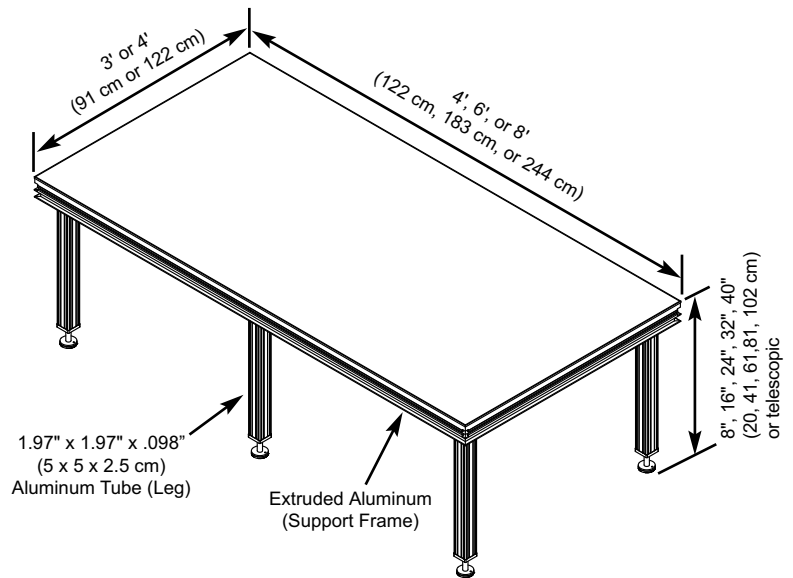
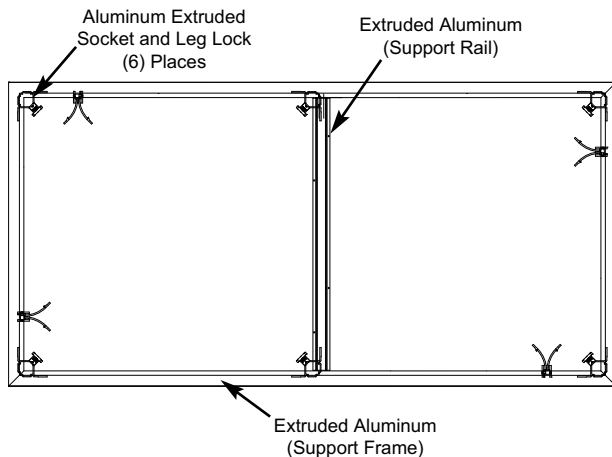


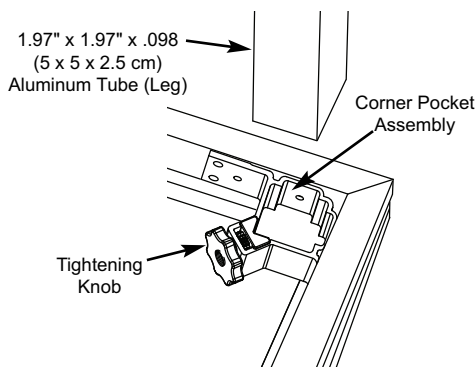
# Versalite® Platforms

- Decks are available in the following sizes:  
 3' x 3' (91 x 91 cm): 133H813 37 lbs (16.8 kg)      3' x 6' (91 x 183 cm): 133H818 65 lbs (29 kg)  
 3' x 8' (91 x 244 cm): 133H823 87 lbs (39 kg)      4' x 4' (122 x 122 cm): 133H828 59 lbs (27 kg)  
 4' x 6' (122 x 183 cm): 133H833 85 lbs (38.5 kg)      4' x 8' (122 x 244 cm): 133H838 107 lbs (48.5 kg).
- Surface options:  
 Black Standard (Moroccan): Platforms are 3/4" (19 mm) plywood with slip resistant overlay recommended for general multi-purpose applications.  
 Black Heavy-Duty (Quadriple): Platforms are 3/4" (19 mm) plywood with an aggressive textured overlay for applications requiring greater slip resistance.  
 Natural Hardboard: Platforms are 3/4" (19 mm) using 1/2" (12 mm) plywood bonded between two faces of 1/8" (3 mm) tempered hard-ply.  
 Carpeted: Manufacturer's standard grey carpet over a 5/8" (16 mm) plywood core (Contact Wenger for a sample).  
 Carpet Ready: A 5/8" (16 mm) plywood core ready to receive carpet surface.
- Frame and edging are fabricated from 3" (8 cm) thick aluminum extrusion. The extrusion is designed with special grooves to protect the top surface edge, connect adjacent platforms and attach all accessories.
- Deck units have six extruded aluminum leg sockets to accept the detachable legs.  
 3' x 6' (91 x 183 cm) and 4' x 4' (122 x 122 cm) decks have four leg sockets.  
 Legs lock quickly into leg socket with the rotation of the knob.
- Standard leg sizes are 8" (20 cm), 16" (41 cm), 24" (61 cm), 32" (81 cm) and 40" (102 cm).  
 Custom leg sizes are available.
- Adjustable telescopic leg sets 16"-28" (41-71 cm), 24"-40" (61-102 cm) and 30"-54" (76-137 cm).
- Legs are made from aluminum and have a plastic cap to protect flooring.  
 Optional legs are available with adjustable screw-type feet to accommodate uneven surfaces.
- Optional Leg Storage Clips are available.
- Unit-to-unit connectors are provided to lock units together, both side-to-side and end-to-end, and provide strength and uniformity throughout the stage system.
- Environmental attributes and LEED compliance for this product can be found at [www.wengercorp.com/GREEN](http://www.wengercorp.com/GREEN) or by contacting your Wenger representative.
- Five-year warranty.

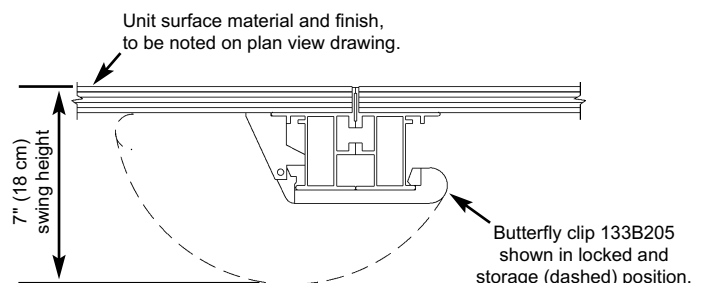
## Versalite® Typical Staging Unit



## Leg Pocket Detail



## Typical Unit to Unit Connection



**Accessories**

*Transport Carts*

- 10-unit: 133A488 68 lbs (31 kg) 8-unit: 113F001 85 lbs (38.5 cm).
- 10-unit cart ideal for space efficient storage of rectangular units (double door required).
- 8-unit cart ideal for non-rectangular units such as pie shapes used in seated risers and oversize units used in the Portable Disability Ramp or when no double door is available (fits through a 32" (81 cm) door).

*Stairways*

- 2-step: 113B016 68 lbs (31 kg) 3-step: 113B026 88 lbs (40 kg) 4-step: 113B027 108 lbs (49 kg).
- 2-, 3- and 4-step stairways are available. All stairways feature non-slip safety treads and include permanent handrails on both sides.
- Steps measure 39" long x 11" wide (99 x 28 cm). Black finish.

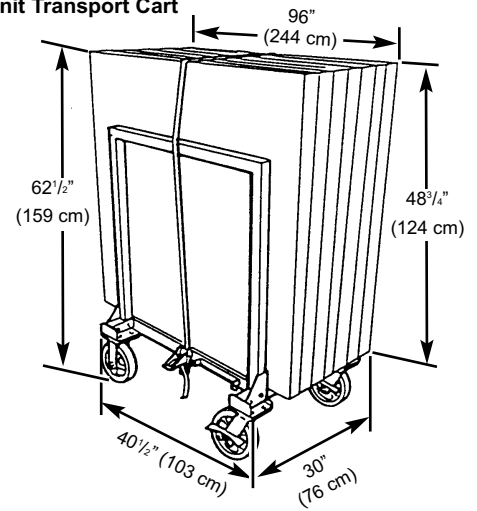
*Rails*

- Guardrails comply with many building code requirements for loading.
- Guardrails are available with either 2 cross bars or an infill panel that complies with the 4" (10 cm) sphere rule that appears in many building codes. Both designs incorporate a chair stop.
- Guardrails are 42" (107 cm) high with a black powder paint finish. Chair stop has a dark grey powder paint finish.
- Guardrails clamp to the stage without the need for tools.
- Guardrail Cart: 011D800 91 lbs (41 kg).

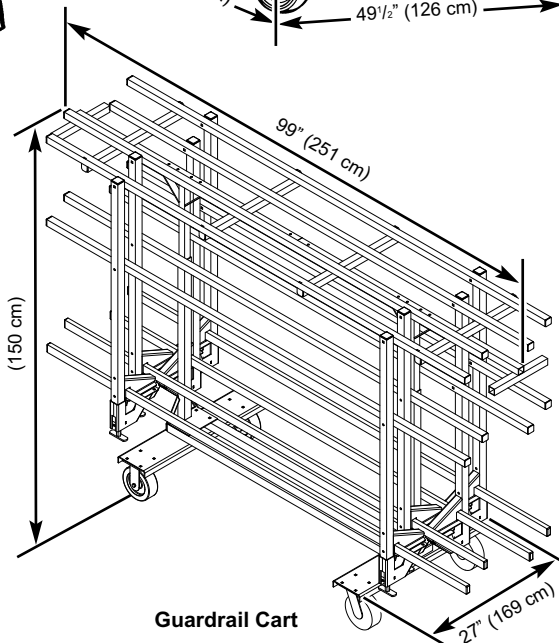
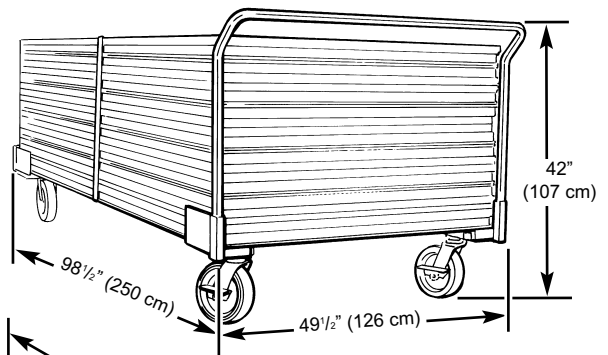
*Drapery and Backdrop*

- Drapery closures are available in heights to match the staging elevations.
- Dual height drapery is available for the dual height stages.
- Drapery available in a wide variety of colors. 100% fire retardant woven polyester.
- Drapery attaches with hook and loop fastening system.
- Backdrop frame attaches to guardrails for safety.
- When installed backdrop is 8' (244 cm) above the stage.
- Available in 4' (122 cm), 6' (183 cm), and 8' (244 cm) widths.

**8-Unit Transport Cart**

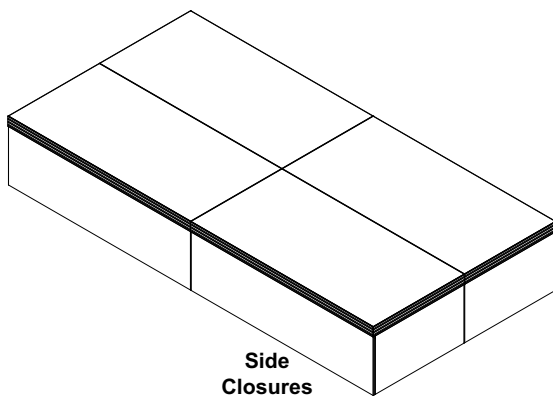
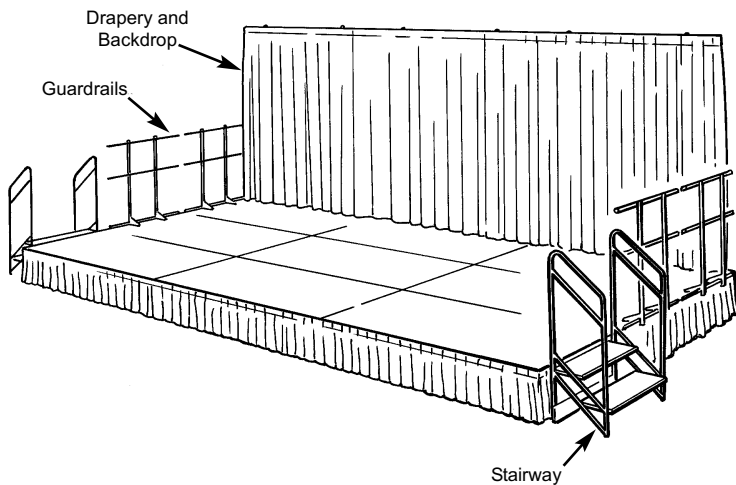


**10-Unit Transport Cart**



**Guardrail Cart**

**Guardrail, Stairway, Backdrop and Drapery**



**Side Closures**

**WENGER CORPORATION**  
 555 Park Drive, PO Box 448  
 Owatonna, MN 55060-0448  
 Phone 800.4WENGER (493.6437)  
 Fax 507.455.4258  
 Customer Service 800.887.7145

**WENGER CORPORATION**  
**CANADIAN REPRESENTATIVE OFFICE**  
 Phone 800.268.0148

**WORLDWIDE**  
 Phone 507.455.4100  
 Fax 507.774.8576

**WEB SITE**  
[wengercorp.com](http://wengercorp.com)