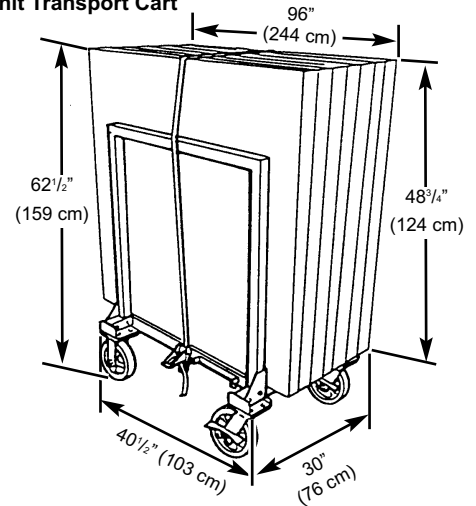


# Versalite® Storage Carts

## 8-Unit Transport Cart

- 113J001 (85 lbs) (38 kg).
- All steel construction. Black powder-coat painted finish.
- Dimensions:  
Empty: 30" wide x 40<sup>1</sup>/<sub>2</sub>" long x 48<sup>3</sup>/<sub>4</sub>" high (76 x 103 x 124 cm)  
Loaded: 30" wide x 96" long x 62<sup>1</sup>/<sub>2</sub>" high (76 x 244 x 159 cm)  
Folded: 43<sup>1</sup>/<sub>2</sub>" wide x 40<sup>1</sup>/<sub>2</sub>" long x 18<sup>1</sup>/<sub>2</sub>" high (110 x 103 x 47 cm).
- 8" (20 cm) diameter casters, 2 swivel and 2 rigid.
- Stage unit is simply rotated off the cart and into position.
- Cart conveniently folds when empty for easy storage.
- Fits through standard 36" (91 cm) doorway.
- Ideal for non-rectangular units such as pie shapes used in seated risers or oversized units used in the Portable Disability Ramp.
- This 8-unit cart is also used for the Wenger Pit Filler, but the capacity is reduced to 6-units.
- Five-year warranty.

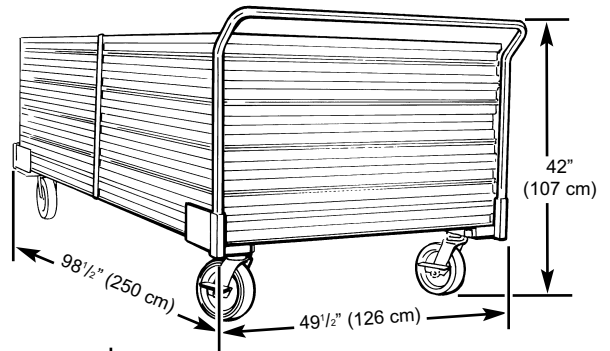
8-Unit Transport Cart



## 10-Unit Transport Cart

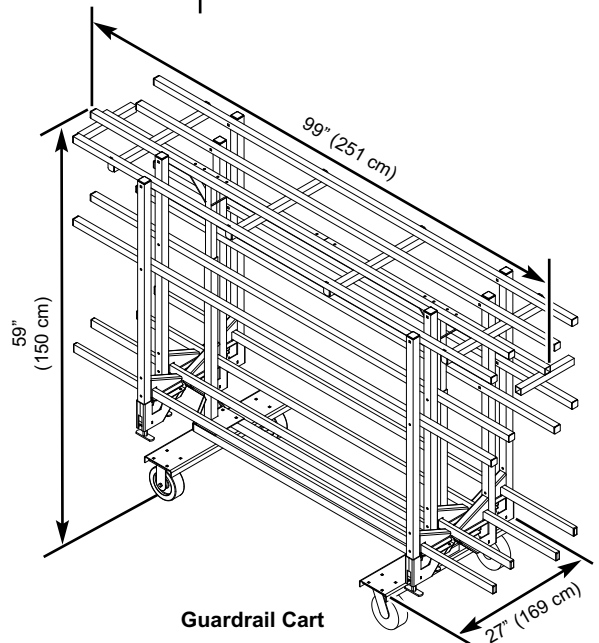
- 133A488 (68 lbs) (31 kg).
- Transport cart is created by slipping a set of two 8" (20 cm) caster assemblies (two swivel and two rigid) onto a Versalite Stage Deck. Each cart can carry up to 10 platforms plus legs. Pushrail inserts into caster assembly. Tie-down strap also included.
- Floor area dimensions when loaded with 4' x 8' (122 x 244 cm) units: 49<sup>1</sup>/<sub>2</sub>" x 98<sup>1</sup>/<sub>2</sub>" (126 x 250 cm) (height varies depending upon how many units are loaded on cart).
- Requires double doorway without center post.
- Ideal for space efficient storage of rectangular units.
- Five-year warranty.

10-Unit Transport Cart



## Guardrail Cart

- 011D800 (91 lbs) (41 kg).
- Dimensions (loaded or unloaded): 27" w x 99" l x 59" h (169 x 251 x 150 cm)
- Ideal for space efficient storage of guardrails.
- Five-year warranty.



Environmental attributes and LEED compliance for these products can be found at [www.wengercorp.com/GREEN](http://www.wengercorp.com/GREEN) or by contacting your Wenger representative.

**WENGER CORPORATION**

555 Park Drive, PO Box 448  
Owatonna, MN 55060-0448  
Phone 800.4WENGER (493.6437)  
Fax 507.455.4258  
Customer Service 800.887.7145

**WENGER CORPORATION**

**CANADIAN REPRESENTATIVE OFFICE**  
Phone 800.268.0148

**WORLDWIDE**

Phone 507.455.4100  
Fax 507.774.8576

**WEB SITE**

[wengercorp.com](http://wengercorp.com)