

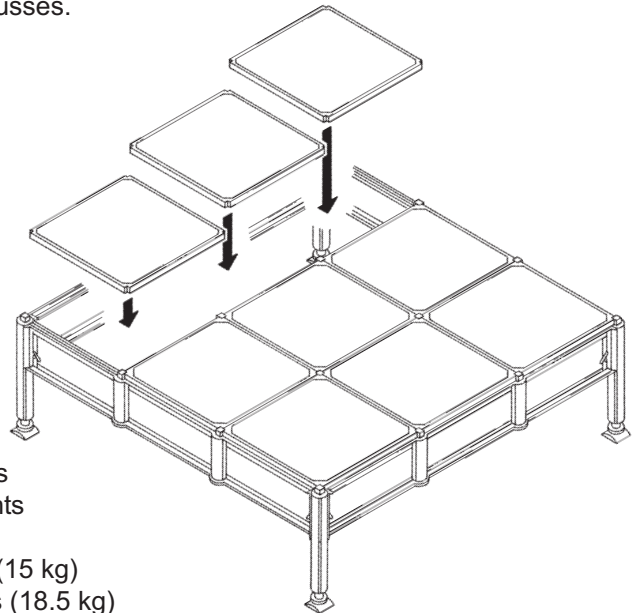
Vision® Platform System

Decks

- 4' x 4' (122 x 122 cm) deck is constructed of a lamination of plywood and black or sand polyglass with a steel frame for maximum strength, stiffness, and resistance to high uniform and concentrated loads. 4' x 4' (122 x 122 cm).
- Black textured poly non-reversible deck: 135C018 70 lbs (32 kg)
Grey textured poly non-reversible deck: 135C019 70 lbs (32 kg).
- The steel frame is painted with a powder coat paint finish for maximum durability.
- The polyglass/plywood panel is replaceable in the field which allows for easy and cost effective maintenance and repair of the deck panels.
- Locator notches in deck mate with receiver in columns and trusses to aid in quick and easy set-up of the components.
Locators are positioned every 4' (122 cm) in the columns and trusses.

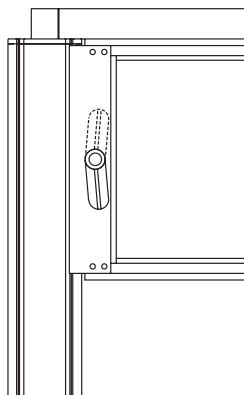
Trusses

- Trusses are available in three lengths:
4' (122 cm) truss: 135A201 23 lbs (10 kg)
8' (244 cm) truss: 135A202 45 lbs (20 kg)
12' (366 cm) truss: 135A203 68 lbs (31 kg).
- Spanning capability of 12 feet (3.66 m) means fewer columns to level, only thirty for a 40' x 60' (12.2 x 18.3 m) stage.
- Longer spans provide maximum space under the stage for running cables, storage, etc.
- Trusses feature the Grip Tight™ truss locking system that eliminates rattle, sway, and noise from the staging understructure.

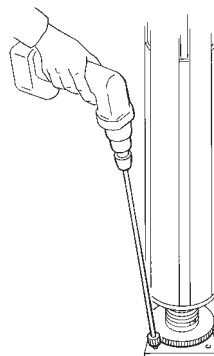


Columns

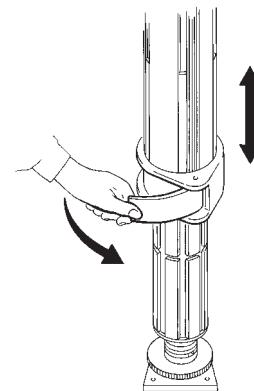
- Columns are available in the following telescoping height ranges (the height ranges listed reflect the lowest and the highest heights achievable with the column):
36" to 62" (92 to 157 cm) telescoping column: 135A051 33 lbs (15 kg)
48" to 86" (122 to 218 cm) telescoping column: 135A052 41 lbs (18.5 kg)
54" to 92" (137 to 234 cm) telescoping column: 135A053 45 lbs (20 kg).
- 8" (20 cm) of incremental height adjustment.
- Columns feature Power Leveling® for quick and easy leveling adjustment with a power drill, even when the stage is fully assembled.
- Columns feature the Omnidirectional Foot® for set-ups on uneven terrain, up to a 6° slope without being shimmed.
- No cross bracing is needed for any of the standard column heights, including the longest telescoping columns.



Grip Tight™ Truss Locking



Power Leveling®



Easy Height Adjustment

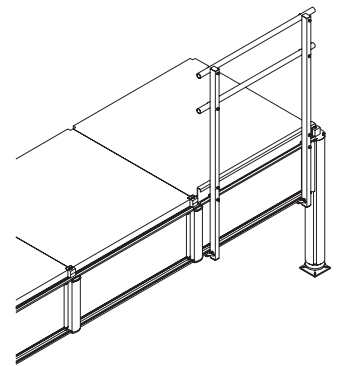
Accessories

Guardrails

- Guardrails snap into place securely and quickly. Guardrails are 4' (122 cm) long and 42" (107 cm) high and feature a double rail and curb for maximum security.
- 4' (122 cm) guardrail: 135A301 27 lbs (12 kg).

Stairways

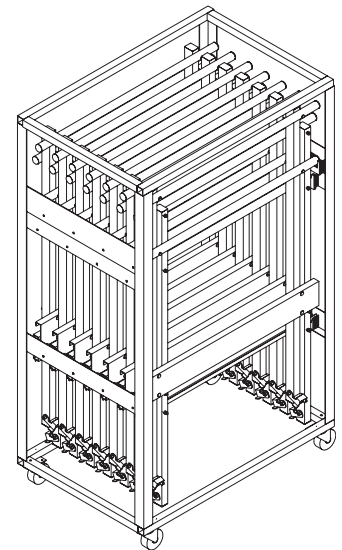
- Stairways are available to accommodate all stage heights. The stairways store compactly and securely attach to the truss for a smooth transition to the stage.
- 6-Step Stairway (24" to 48") (61 to 122 cm) 181A016 244 lbs (110 kg)
- 8-Step Stairway (32" to 64") (81 to 163 cm) 181A018 310 lbs (141 kg)
- 9-Step Stairway (36" to 72") (91 to 183 cm) 181A020 349 lbs (158 kg).



Guardrail

Drapery and Backdrop

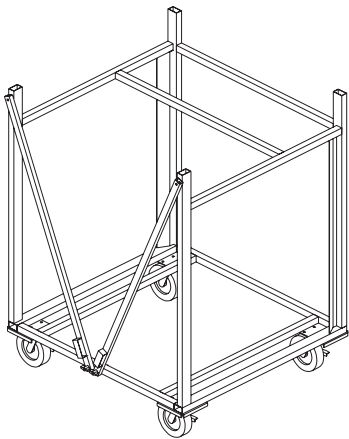
- Drapery is available in standard height ranges of 30" to 56" and 48" to 88" (76 to 143 cm and 122 to 224 cm) and is fully adjustable to accommodate any stage height within the height range.
- Drapery is available in 4' or 8' (122 or 244 cm) widths and in a variety of colors.
- Drapery quickly attaches to guardrails or to nosing strips attached to the stage for a finished appearance.
- Backdrop frames attach to staging guardrail for maximum security.
- Backdrop frames are 8' (244 cm) wide and allow for up to 12' (366 cm) heights.
- Backdrop drapery is available in a variety of colors and heights.



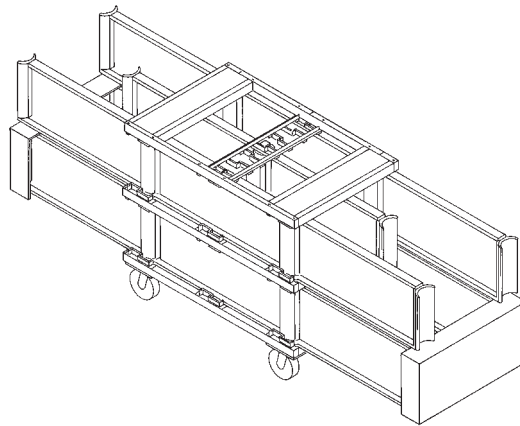
14-Unit Guardrail Transport Cart

Storage and Transport Carts

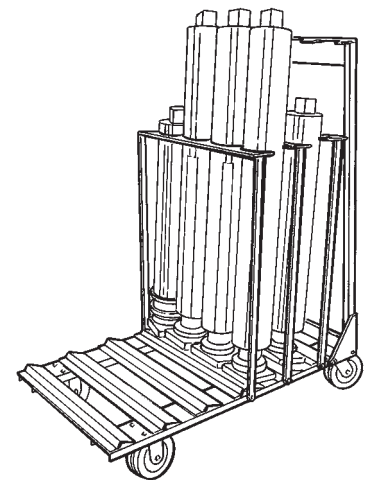
- Carts are designed to maximize space in trucks and store efficiently in facilities:
 - 20-unit deck cart: 135A055 150 lbs (68 kg)
 - 15-unit truss cart: 135A372 330 lbs (149 kg)
 - 24-unit column cart: 135A401 110 lbs (50 kg)
 - 14-unit guardrail cart: 135A057 120 lbs (54 kg).



20-Unit Deck Transport Cart



15-Unit Truss Transport Cart



24-Unit Column Transport Cart

Wenger®

Your Performance Partner

WENGER CORPORATION
555 Park Drive, PO Box 448
Owatonna, MN 55060-0448
Phone 800.4WENGER (493-6437)
Fax 507.455.4258
Customer Service 800.887.7145

CANADA
219 Dufferin, Suite 117C
Toronto, Ontario M6K 3J1
Phone 800.268.0148
Fax 416.754.3996

WENGER CORPORATION
BEIJING REPRESENTATIVE
OFFICE
Tel 0086-10-84972502
Fax 0086-10-84972575

WORLDWIDE
Phone 1.507.455.4100
Fax 1.507.444.0685

WEB SITE
wengercorp.com