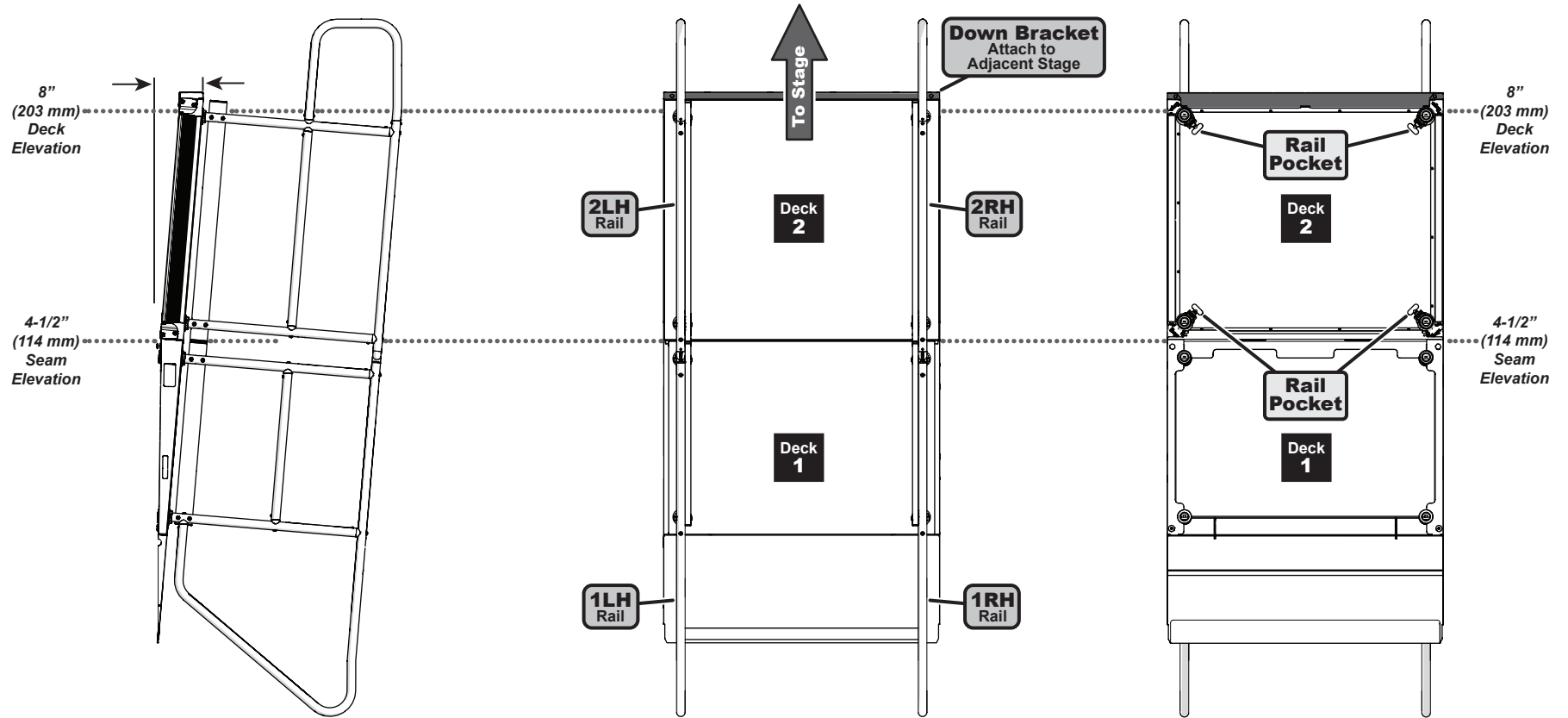
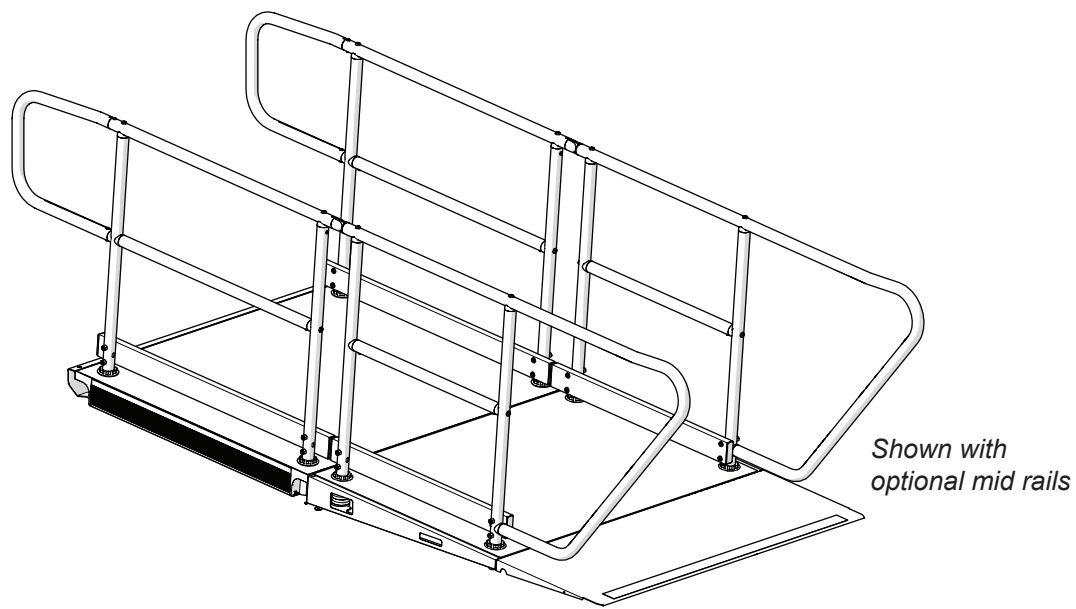
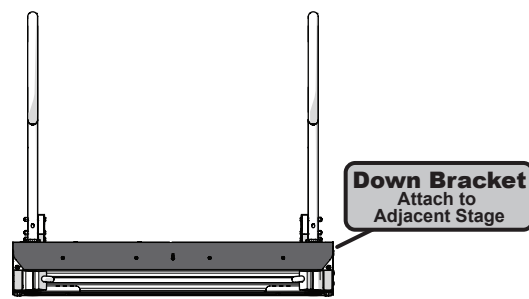


ADA Ramp - Deck and Leg Set Up Guide
 for 282A010 - 8" (203 mm) Elevation Ramp
 with no Switchback or Landing



This guide shows assembled component placement only, see the assembly instructions for assembly procedures.

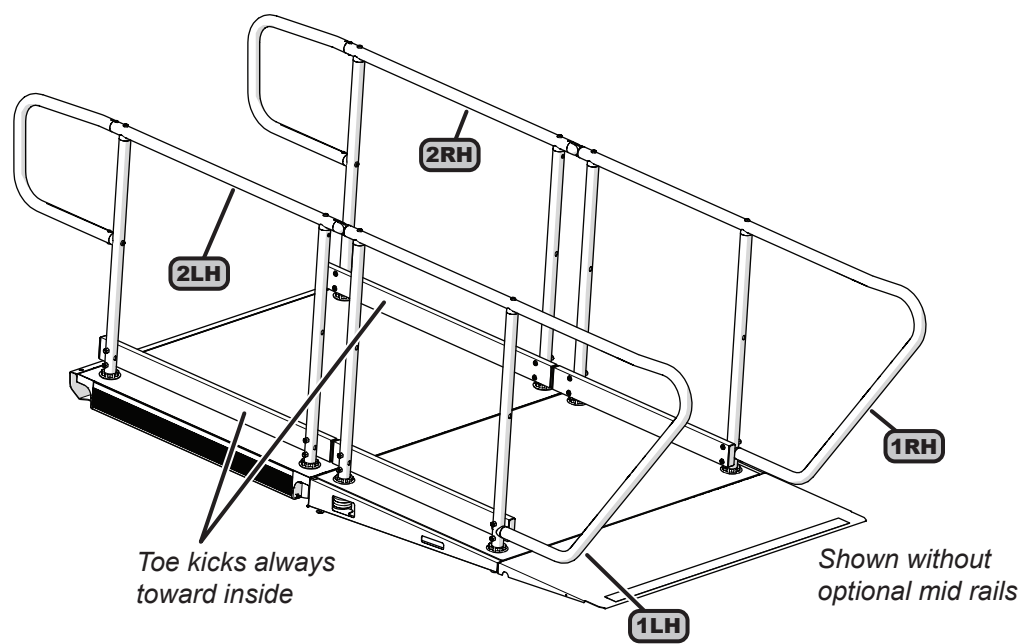
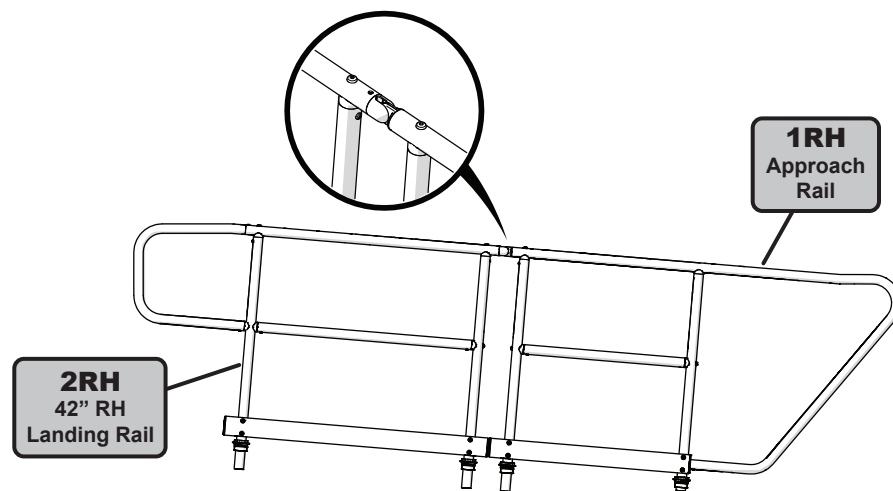
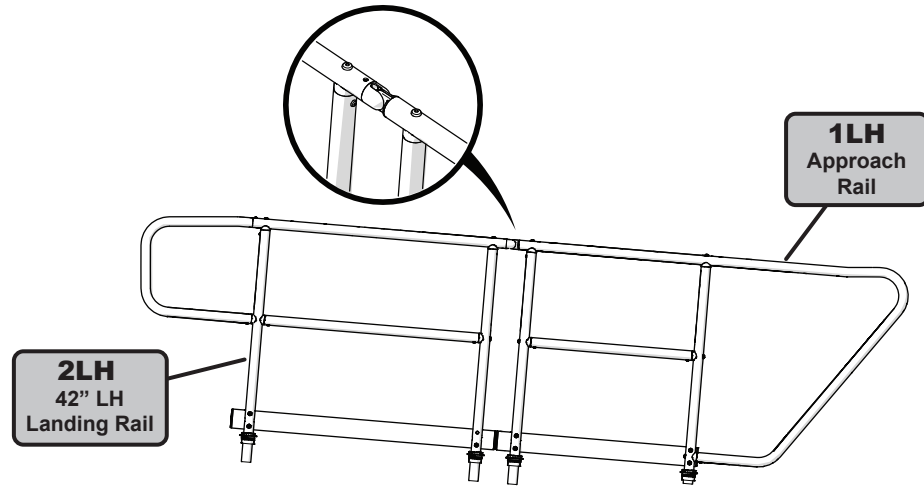


Wenger Corporation
 555 Park Drive, PO Box 448
 Owatonna, MN 55060
 (800) 4WENGER (493-6437) | +1-507-455-4100
 wengercorp.com



ADA Ramp - Rail Set Up Guide
 for 282A010 - 8" (203 mm) Elevation Ramp
 with no Switchback or Landing

This guide shows assembled component placement only, see the assembly instructions for assembly procedures.



Wenger Corporation
 555 Park Drive, PO Box 448
 Owatonna, MN 55060
 (800) 4WENGER (493-6437) | +1-507-455-4100
 wengercorp.com

