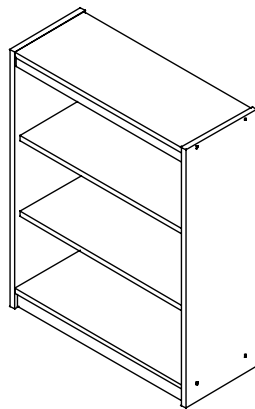
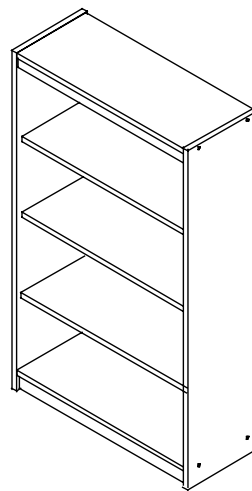


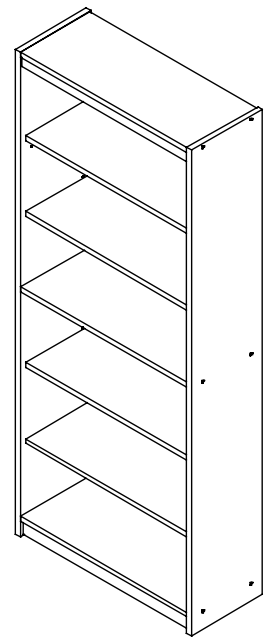
30" Bookcase



36" Bookcase



48" Bookcase



72" Bookcase

Contents

Important User Information	2	Safety Precautions	3
General	2	Before You Begin	3
Manufacturer	2	Required Tools	3
Intended Use	2	Parts List	4
Warranty	2	Assembly	5
		Assembly 72" Bookcase Only	15

Note: Please read and understand these instructions before starting the assembly.
Note: If you need additional information, contact Wenger Corporation using the information below.

Important User Information

General

Copyright © 2018 by Wenger Corporation

All rights reserved. No part of the contents of this manual may be reproduced, copied, or transmitted in any form or by any means including graphic, electronic, or mechanical methods or photocopying, recording, or information storage and retrieval systems without the written permission of the publisher, unless it is for the purchaser's personal use.

Printed and bound in the United States of America.

The information in this manual is subject to change without notice and does not represent a commitment on the part of Wenger Corporation. Wenger Corporation does not assume any responsibility for any errors that may appear in these instructions.

In no event will Wenger Corporation be liable for technical or editorial omissions made herein, nor for direct, indirect, special, incidental, or consequential damages resulting from the use or defect of these instructions. The manufacturer reserves the right to change this product at any time.

The information in this document is not intended to cover all possible conditions and situations that might occur. The end user must exercise caution and common sense when assembling or installing Wenger Corporation products. If any questions or problems arise, call the Wenger Corporation at (800) 4WENGER (493-6437) or +1-507-455-4100 worldwide.

Manufacturer

The Bookcases are manufactured by:

Wenger Corporation
555 Park Drive
Owatonna, MN 55060
(800) 4WENGER (493-6437) • +1 (507) 455-4100
wengercorp.com

Intended Use

- This product is intended for indoor use in normal ambient temperature and humidity conditions — it must not be exposed to prolonged outside weather conditions.
- This product is intended to be assembled and used only as described in these instructions.

Warranty

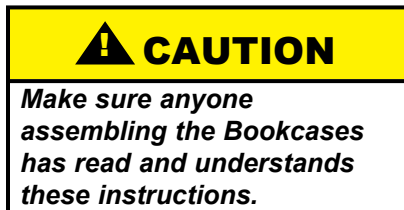
This product is guaranteed free of defects in materials and workmanship for ten full years from date of shipment. A full warranty statement is available upon request.

Safety Precautions

Throughout this manual you may find **CAUTIONS** and **WARNINGS** which are defined as follows:

- **WARNING** means that failure to follow the instruction may result in serious injury or death.
- **CAUTION** means that failure to follow the instruction may result in serious injury or damage to property.

Read all of these safety instructions before assembly or use.



Before You Begin

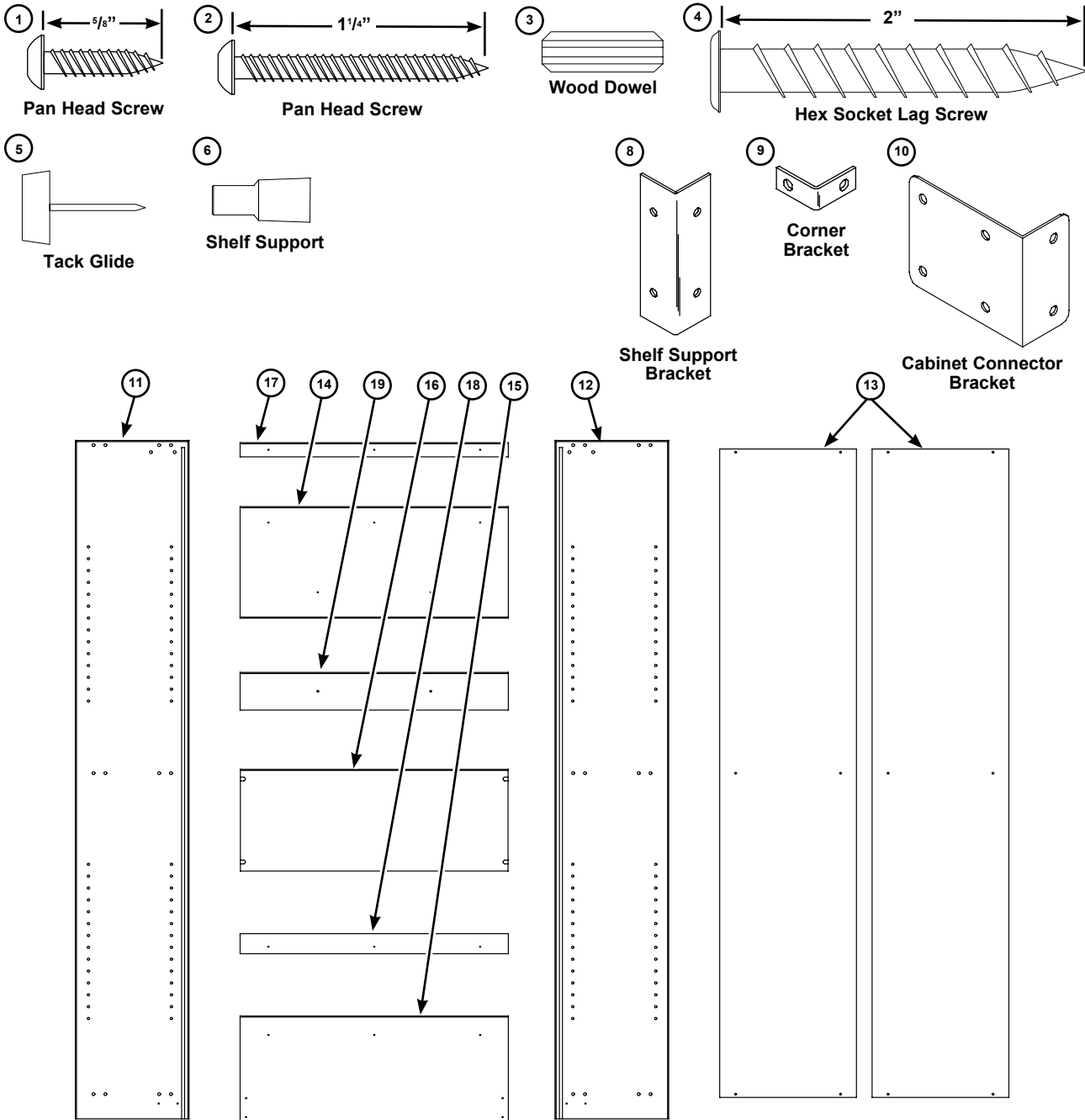
- Read the complete assembly procedure before you begin.
- Remove all items from the shipping carton and lay them out approximately in their final position.
- Remove all items from the hardware bag and determine where all of the fasteners will be used.

Required Tools

The following tools must be supplied to install the Wenger Bookcases:

- Variable Speed Electric Drill
- Hex Insert Bit (X001962 included)
- Mallet
- Phillips Screwdriver.

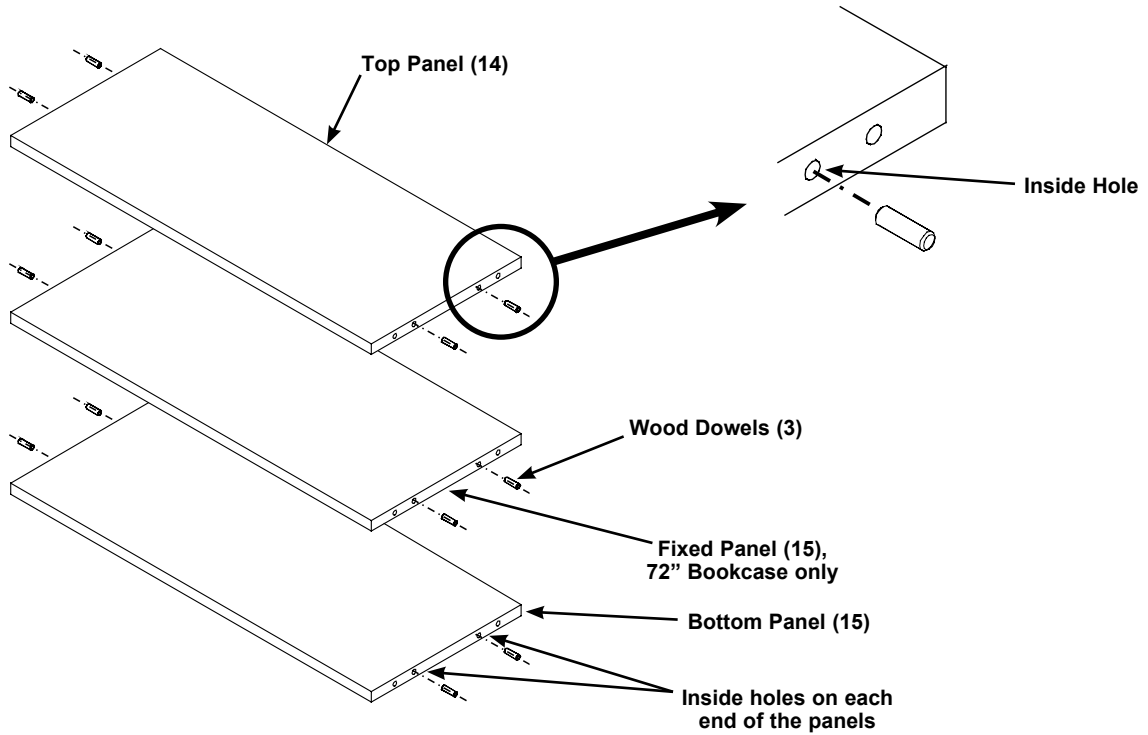
Parts List



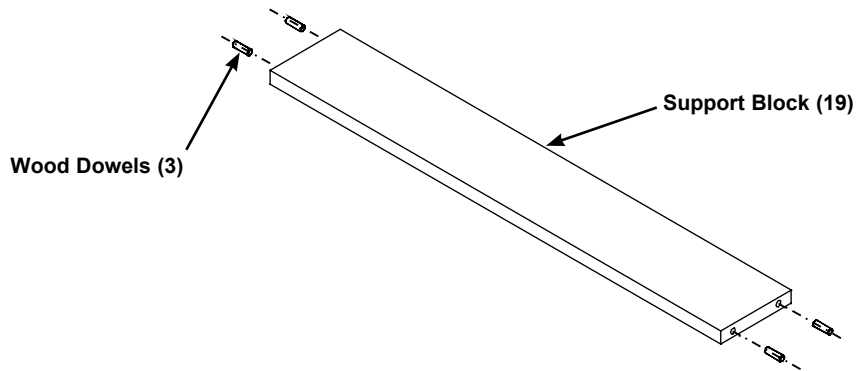
Item	Description	Part Number	Item	Description	Part Number
1	Pan Head Screw	X000045	11	Panel, LH, Bookcase	164D070._
2	Pan Head Screw, Oyster	146K423._	12	Panel, RH, Bookcase	164D071._
3	Wood Dowel	X002540	13	Panel, Back, Bookcase	164D072._
4	Hex Socket Lag Screw	250A508._	14	Panel, Top, Bookcase	164D023._
5	Tack Glide	X001757	15	Panel, Bottom, Bookcase	164D024._
6	Shelf Support	X002036		Qty of 2 for 72" Bookcase	
7	Hex Insert Bit, 5/32"	X001962	16	Panel, Shelf, Adj Bookcase	164D025._
8	Bracket Shelf Support	164A042	17	Stretcher, Top, Bookcase	164D026._
9	Bracket Corner	100A444	18	Stretcher, Bottom, Bookcase	164D027._
10	Bracket Connector Cabinets	145A288	19	Block, Support, Bookcase	164D028._

Assembly

1. Using a mallet, drive four Wood Dowels (3) into the two inside holes on each end of the Top Panel (14), Bottom Panel (15), and Fixed Panel (15) (72" Bookcase only).

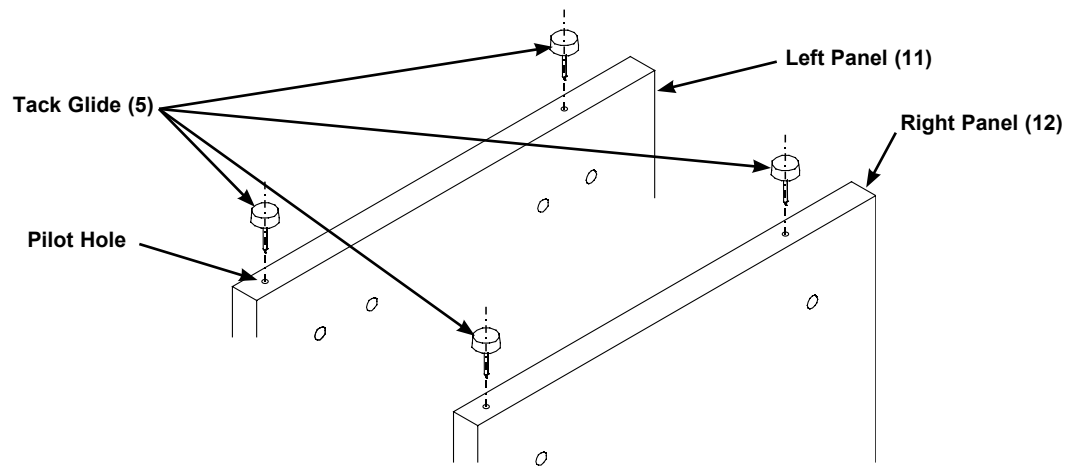


2. Using a mallet, drive four Wood Dowels (3) into the two holes on each end of the Support Block (19).



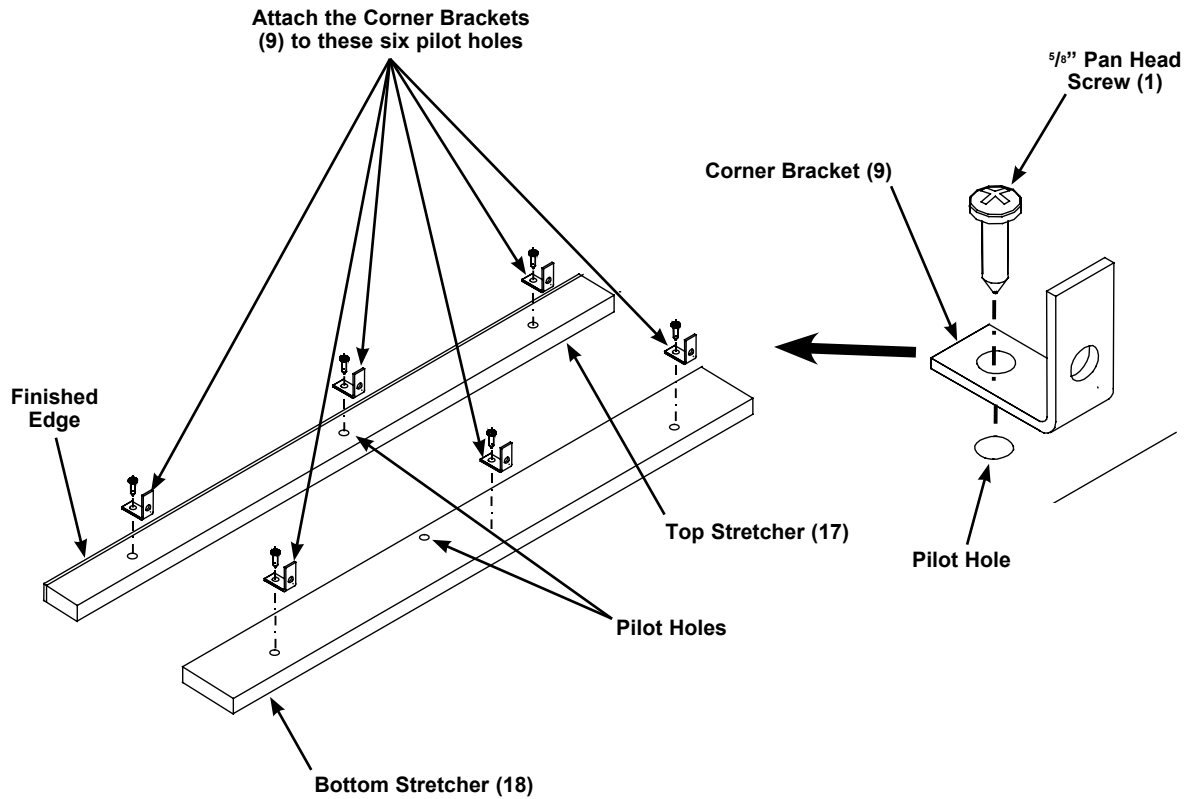
Assembly (continued)

- Using a mallet, drive four Tack Glides (5) into the two pilot holes on the bottom surface of the Left Hand Panel (11) and the Right Hand Panel (12).



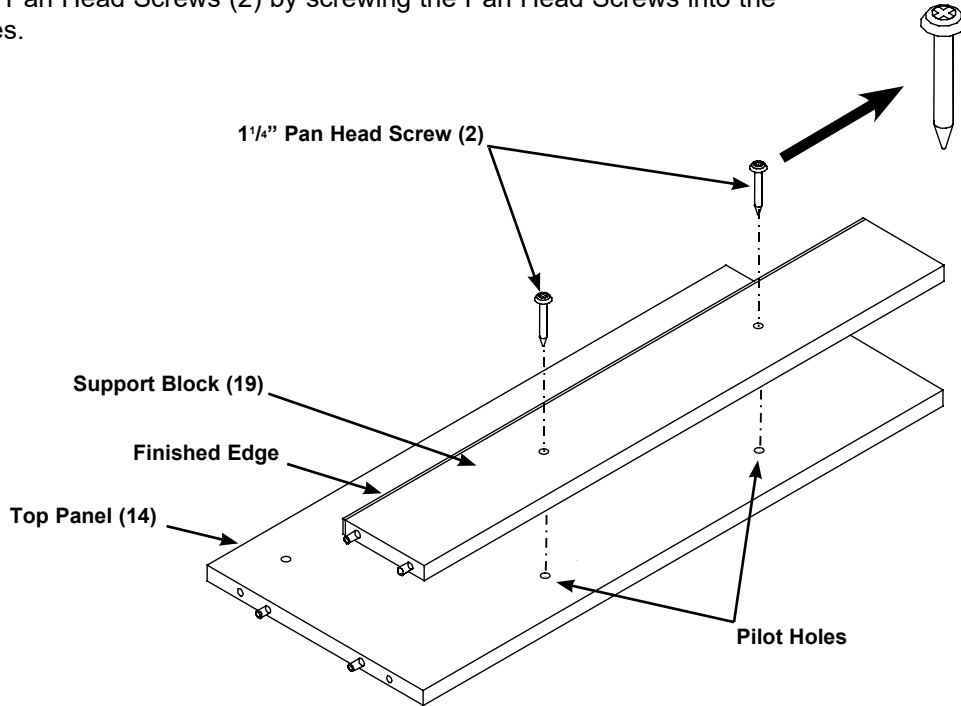
Assembly (continued)

- Using a phillips screwdriver, attach three Corner Brackets (9) to the Top Stretcher(17) and three Corner Brackets (9) to the Bottom Stretcher (18) using six $\frac{5}{8}$ " Pan Head Screws (1), as shown below. Screw (clockwise) the Pan Head Screws into the pilot holes.

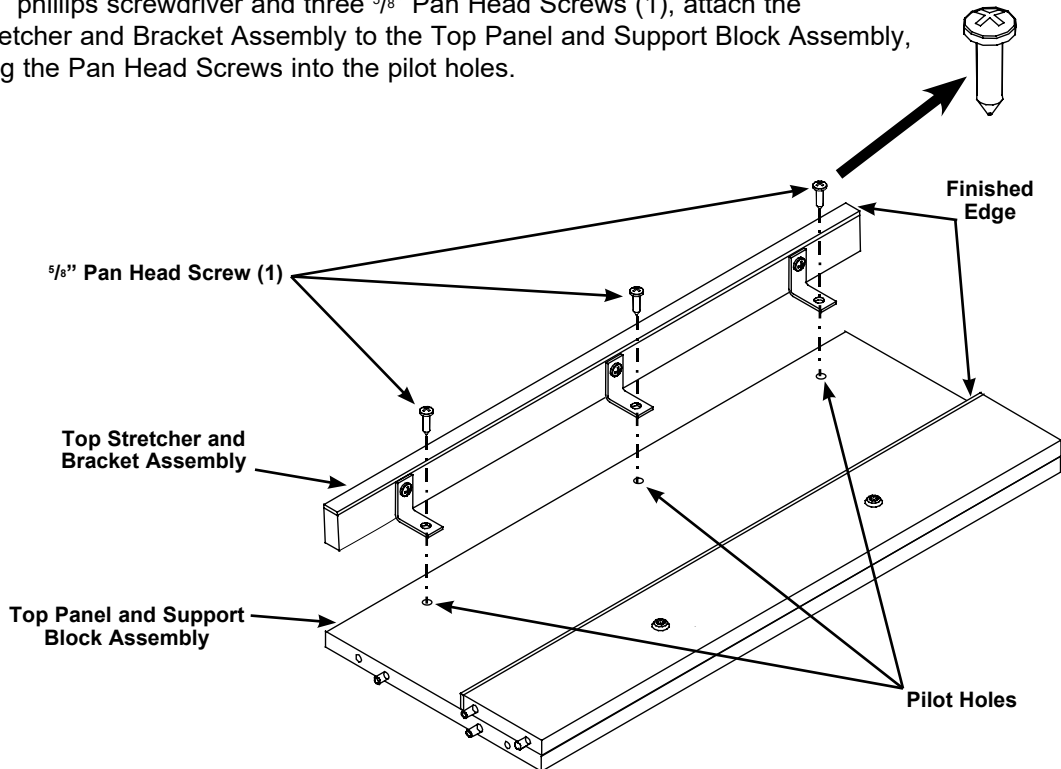


Assembly (continued)

5. Using a phillips screwdriver, attach the Support Block (19) to the Top Panel (14) with two 1¹/₄" Pan Head Screws (2) by screwing the Pan Head Screws into the two pilot holes.

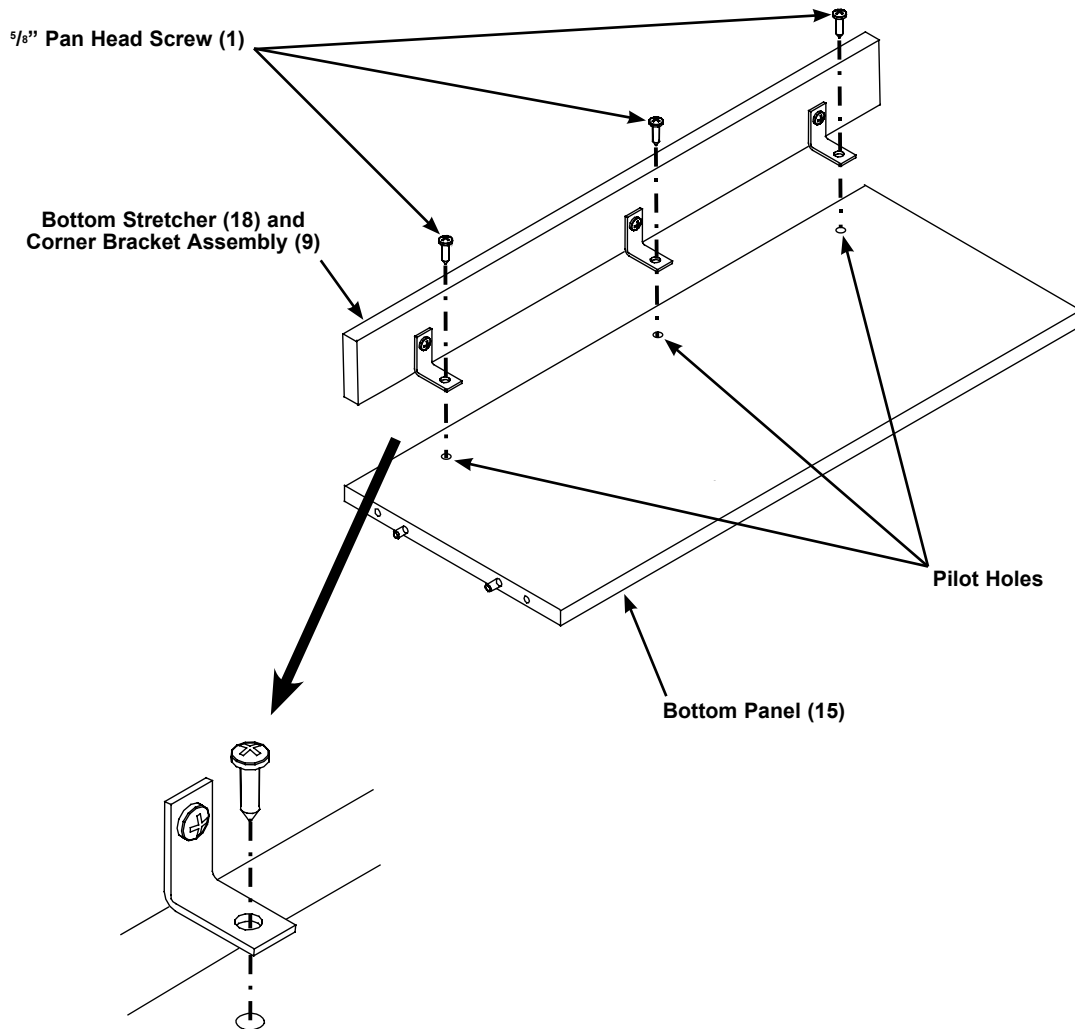


6. Using a phillips screwdriver and three 5/8" Pan Head Screws (1), attach the Top Stretcher and Bracket Assembly to the Top Panel and Support Block Assembly, screwing the Pan Head Screws into the pilot holes.



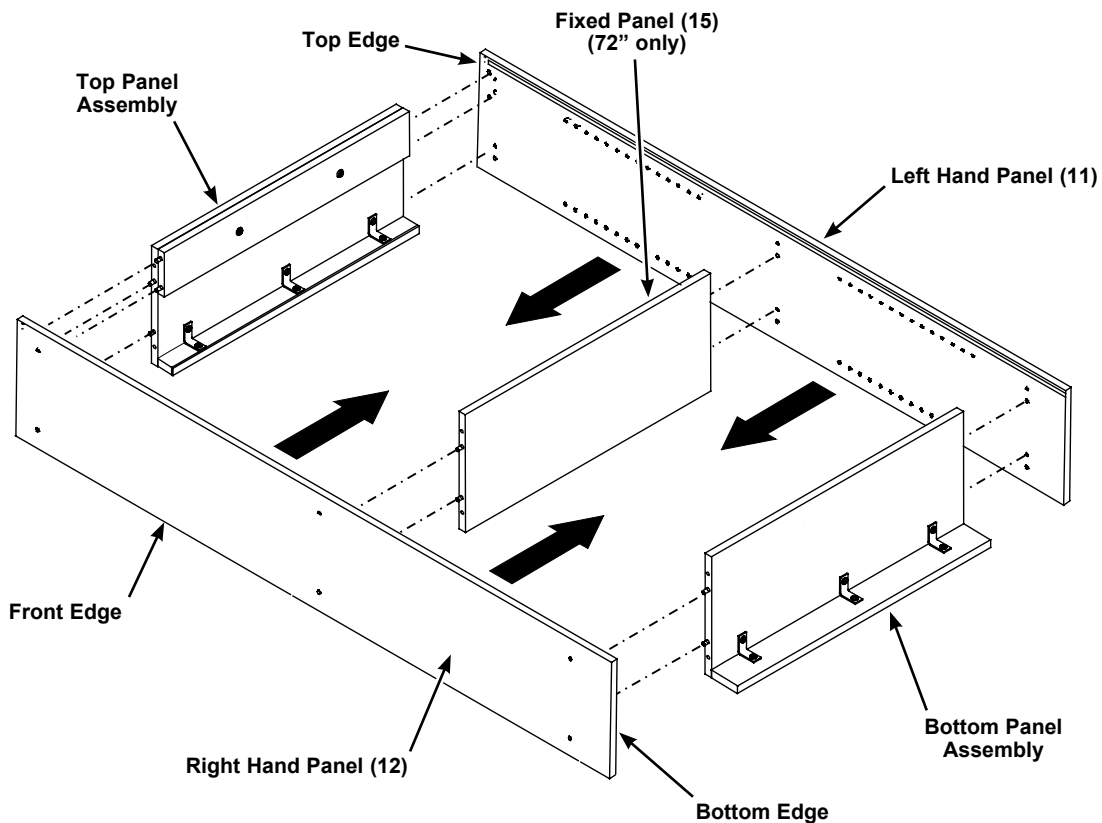
Assembly (continued)

7. Using a phillips screwdriver and three $\frac{5}{8}$ " Pan Head Screws (1), attach the Bottom Stretcher (18) and Corner Bracket Assembly (9) to the Bottom Panel (15) by screwing the Pan Head Screws into the three pilot holes.



Assembly (continued)

8. Place the Left Hand Panel (11) on its front edge.
9. Place the Bottom Panel Assembly on its edge with the front edge facing down and the Stretcher facing the Left Hand Panel (11) bottom.
10. Carefully align the dowels to the dowel holes in the Left Hand Panel (11).
Use a mallet and **gently** tap the two pieces together.
11. Repeat steps 9 and 10 with the Top Panel Assembly and Fixed Panel (15) (72" Bookcase only).
12. Align the Right Hand Panel (12) to the Top Panel Assembly dowels, Bottom Panel Assembly dowels and Fixed Panel dowels.
13. Using a mallet, gently tap the Right Hand Panel (12) until the dowels are fully seated into the Side Panel.

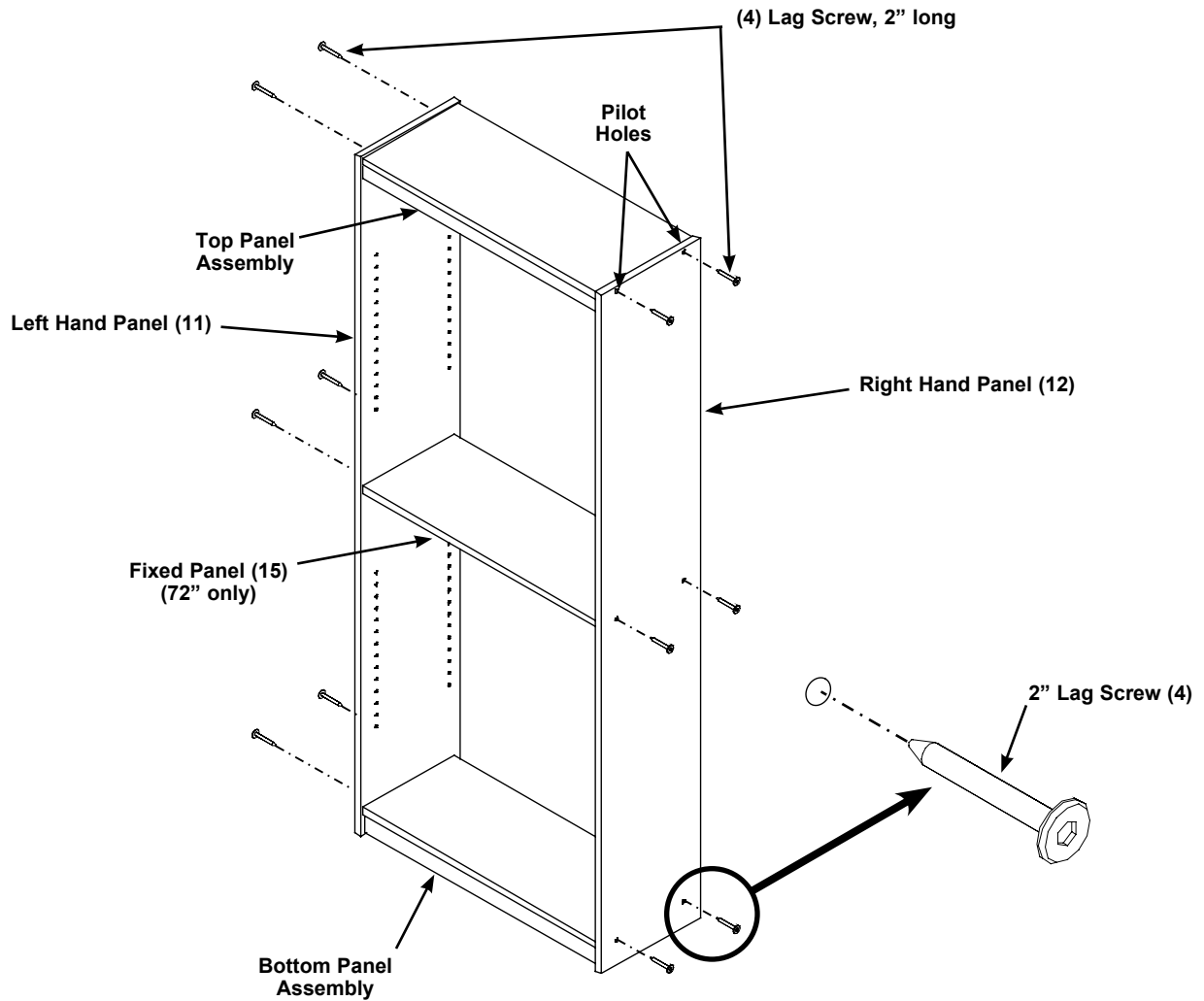


NOTE: The diagram above shows the 72" Bookcase with the Fixed Panel in the middle part of the bookcase.
All other models do not have a Fixed Panel.

Assembly (continued)

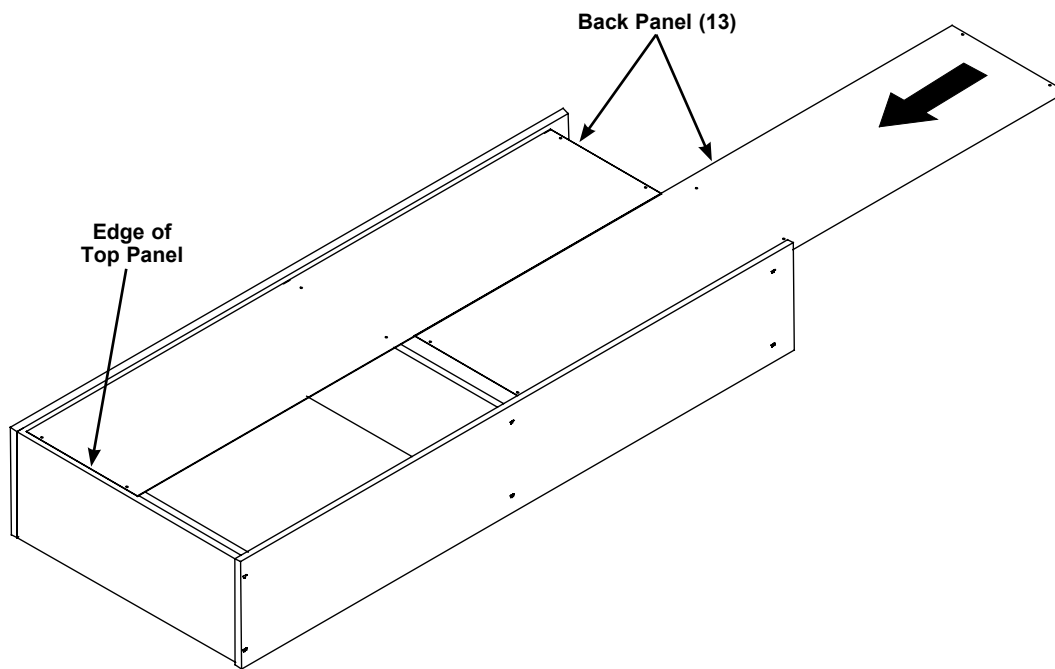
14. Using the Hex Tool (7), screw twelve 2" Lag Screws (4), for the 72" Bookcase or eight for all other models, into the pilot holes on the Left Hand Panel (11) and Right Hand Panel (12).

NOTE: The diagram below shows the 72" Bookcase with the Fixed Panel in the middle part of the bookcase. *All other models do not have a Fixed Panel.*



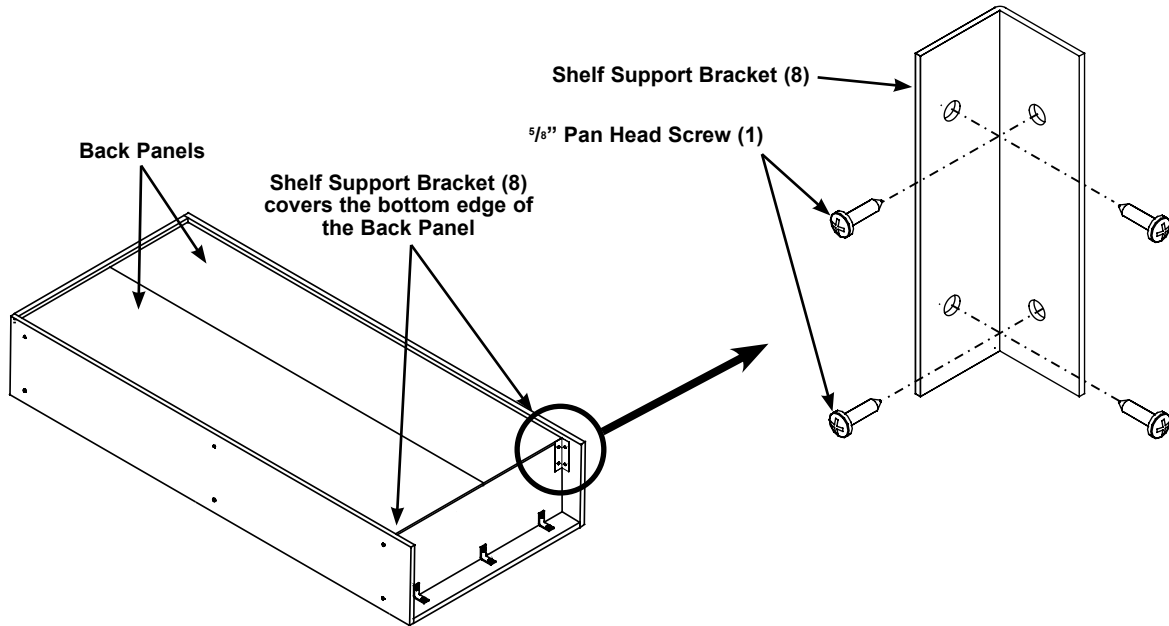
Assembly (continued)

15. Place the bookcase face down.
16. Slide two Back Panels (13) into the grooves in the Left Hand Panel (11) and Right Hand Panel (12) so that the two Back Panels are flush against the Top Panel.
Make sure that the finished side of the Back Panels faces the front of the bookcase.



Assembly (continued)

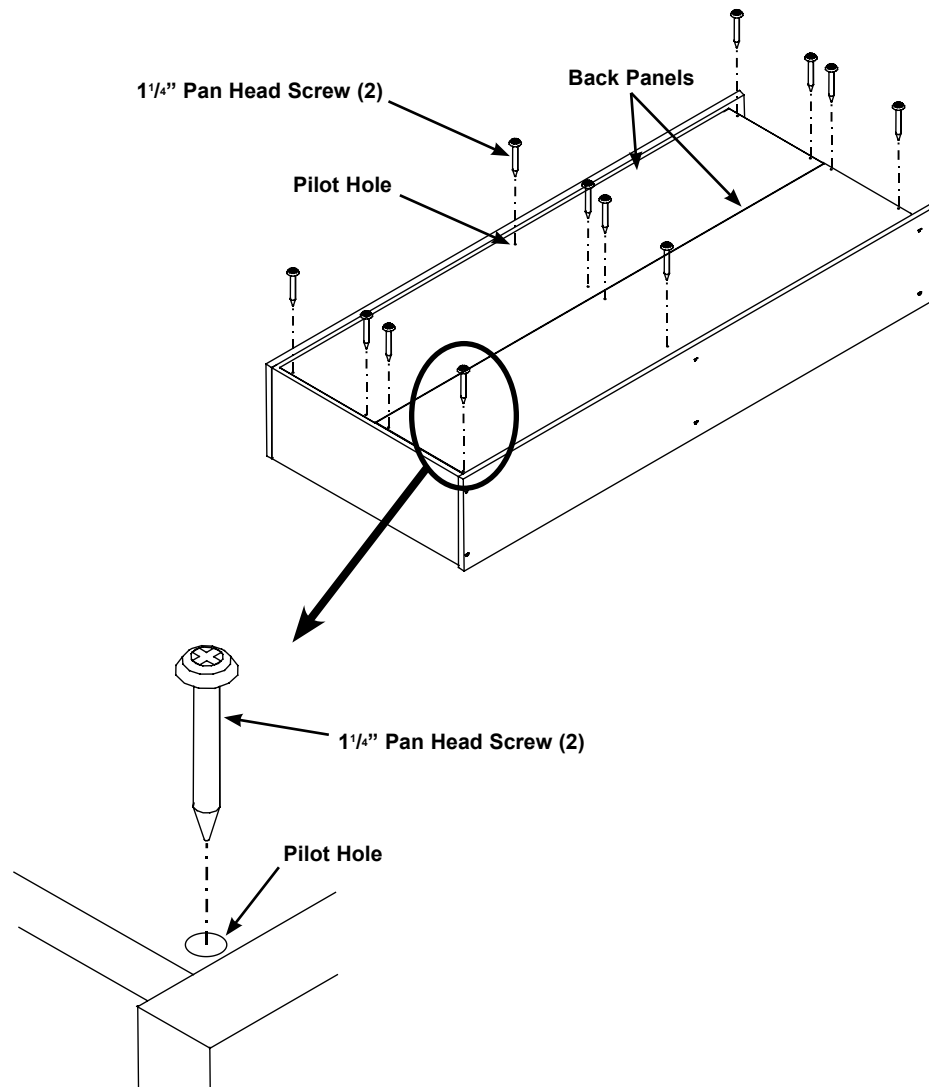
17. Attach two Shelf Support Brackets (8) as shown below with eight $\frac{5}{8}$ " Pan Head Screws (1). Pilot holes in the Bottom Panel and Side Panels locate the position of the brackets. The brackets will cover the bottom edge of the Back Panels.



Assembly (continued)

18. Using a phillips screwdriver, fasten the two back panels to the bookcase with eight 1¹/₄" pan head screws (2), or twelve for 72" bookcases. Insert the screws into the pilot holes in the Back Panels.

NOTE: Make sure that the pilot holes in the Back Panels align to the pilots holes in the Top Panel, Bottom Panel, and Fixed Panel (72" bookcase only).
Make sure that the screw is straight when engaging the pilot holes in the panels below the Back Panels.

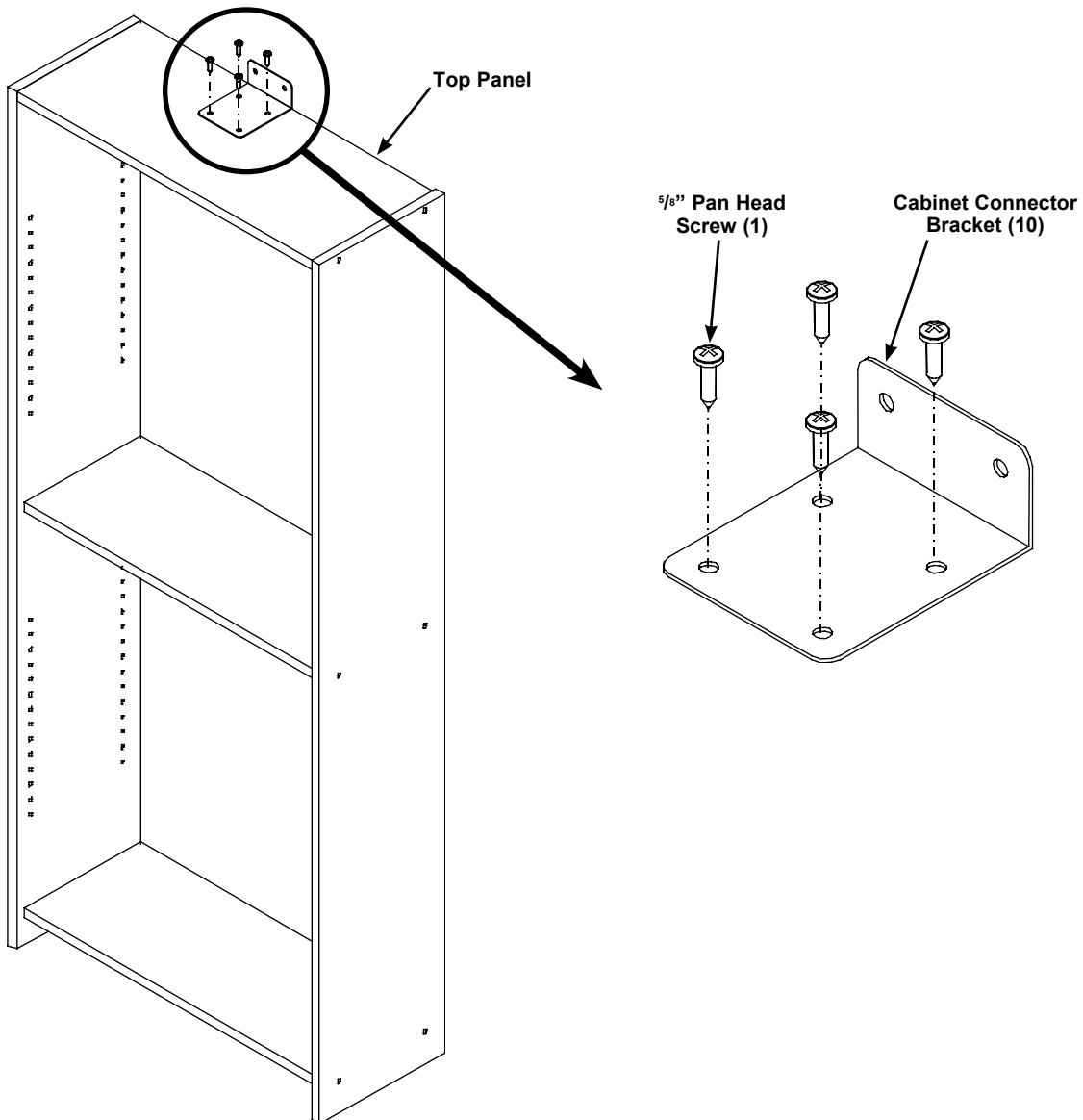


Assembly 72" Bookcase Only

1. Stand the 72" Bookcase upright.
2. Place the bookcase in its final position against a wall or surface that will serve as an anchor for the cabinet.
3. Using the Cabinet Connector Bracket (10) as a template, mark the position for the four holes to mount the bracket.
4. Drill pilot holes for the four $\frac{5}{8}$ " Pan Head Screws (1), with a $\frac{1}{8}$ " drill bit.
5. Attach the Cabinet Connector Bracket (10) to the Bookcase Top Panel using four $\frac{5}{8}$ " Pan Head Screws (1)
6. Connect the Bracket to the wall with the appropriate fasteners.

CAUTION

The 72" Bookcase is unsafe unless it is fastened to a wall as described.



Assembly 72" Bookcase Only (continued)

7. Insert Shelf Supports (6) into pilot holes at the desired shelf height.
Make sure that the flat support surface on the support is facing upward as shown below.
8. Place Shelf Panels (16) onto the Shelf Supports (6), making sure that the Supports engage the pocket on the bottom of each Shelf Panel.

