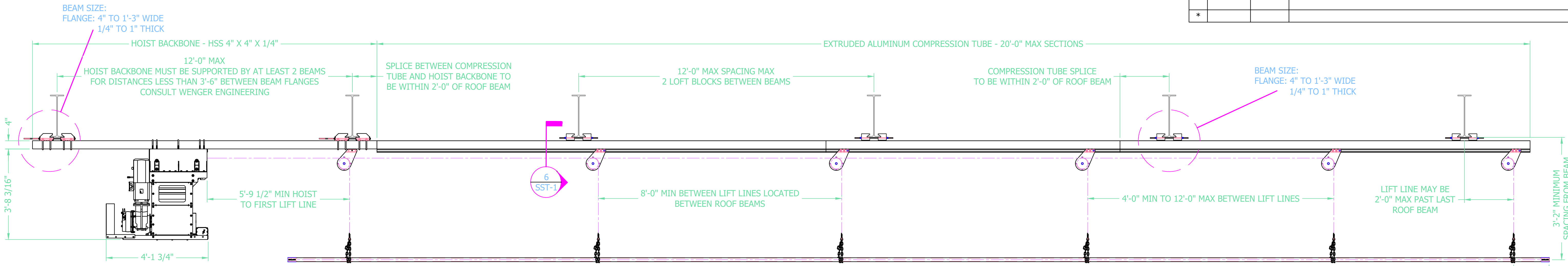
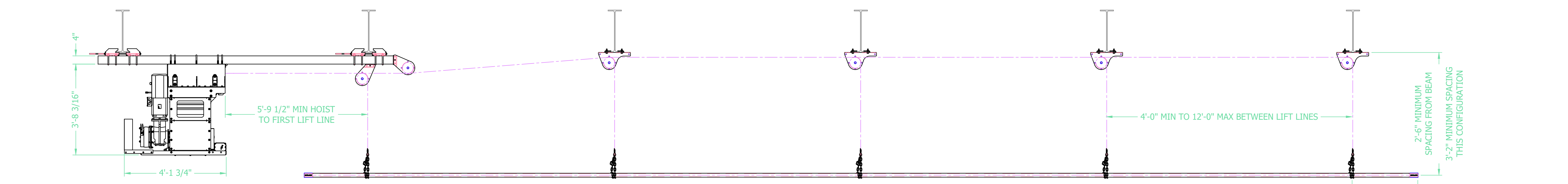


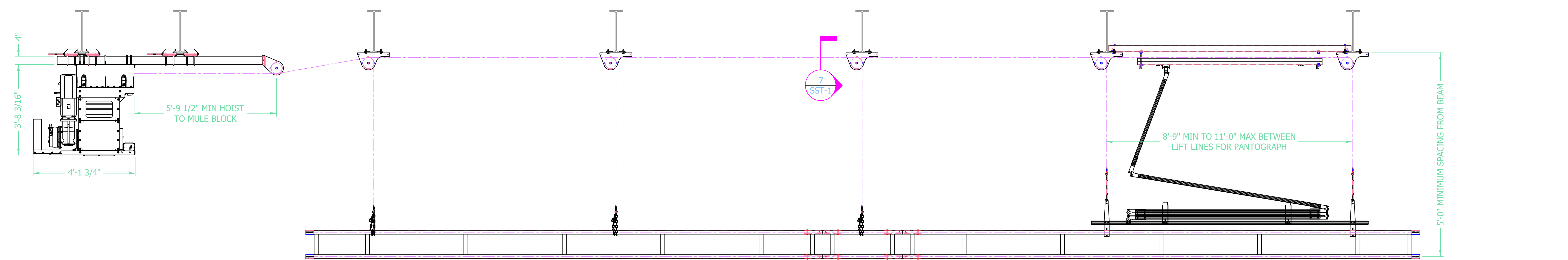
REV	DATE	DRN BY	REVISION DESCRIPTION
*			



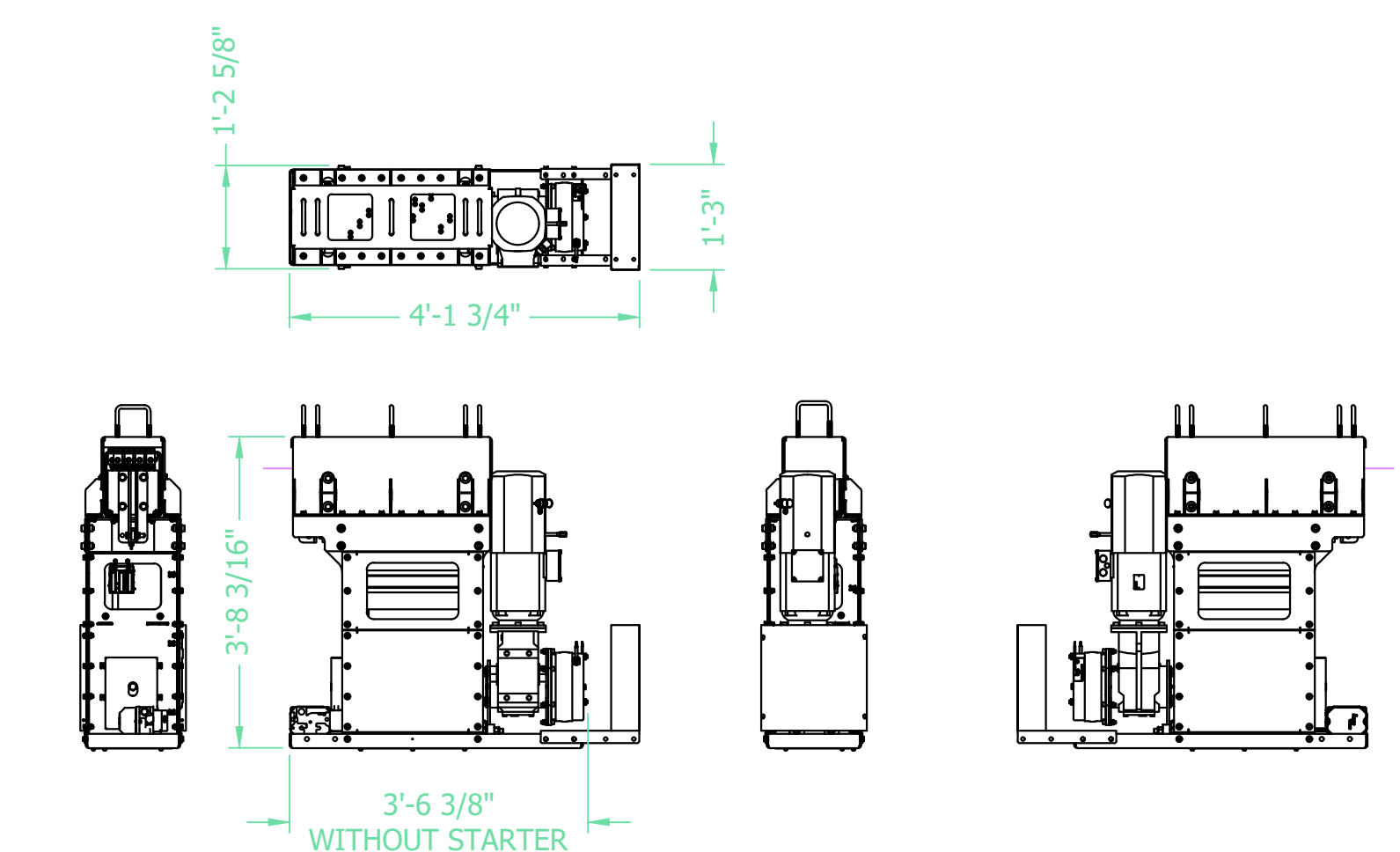
1 SUMMIT THEATRON™ HOIST COMPRESSION TUBE LAYOUT (SL SR) SST-1 SCALE: 1/2" = 1'-0"



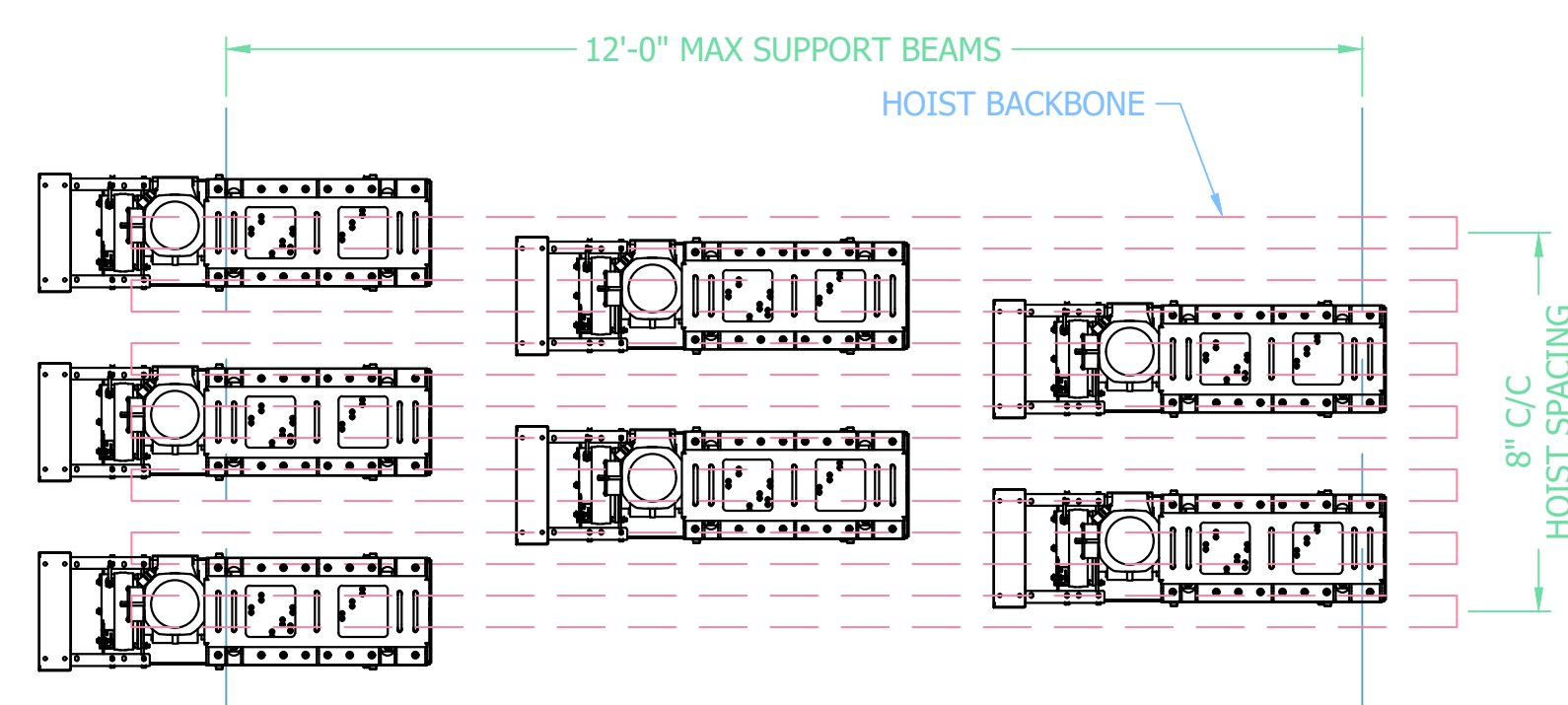
2 SUMMIT THEATRON™ HOIST LAYOUT (SL SR) SST-1 SCALE: 1/2" = 1'-0"



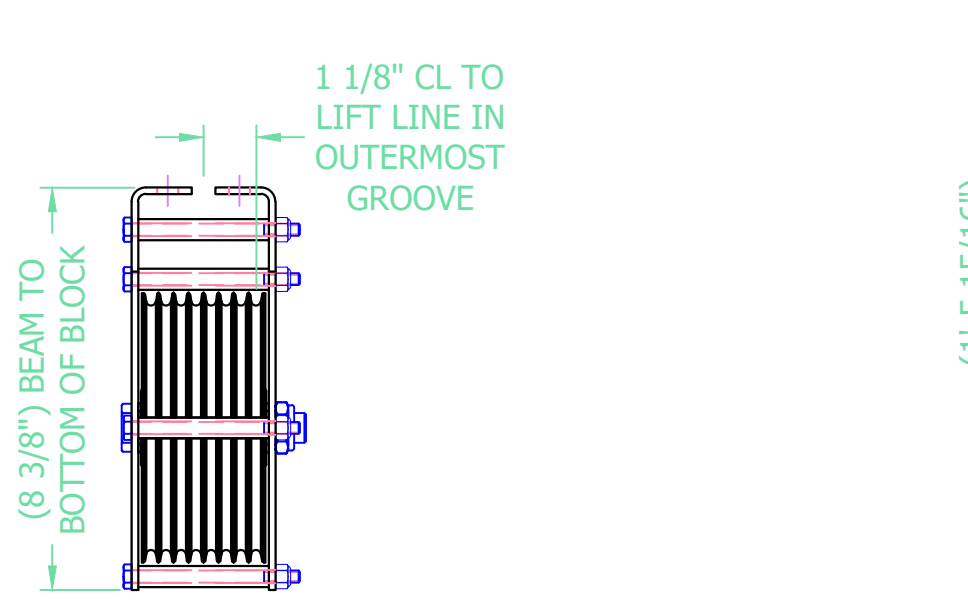
3 SUMMIT THEATRON™ HOIST PANTOGRAPH LAYOUT (SL SR) SST-1 SCALE: 1/2" = 1'-0"



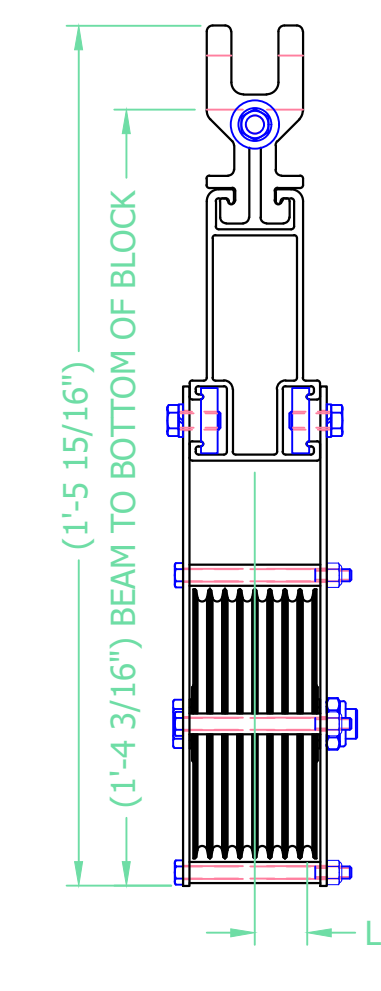
4 SUMMIT THEATRON™ HOIST VIEWS (SST-1) SCALE: 1/2" = 1'-0"



5 SUMMIT THEATRON™ HOIST LAYOUT (SST-1) SCALE: 1/2" = 1'-0"



7 SUMMIT THEATRON™ LOFT BLOCK SECTION (SST-1) SCALE: 3" = 1'-0"



6 SUMMIT THEATRON™ LOFT BLOCK SECTION (SST-1) SCALE: 3" = 1'-0"

- NOTES:
- SUMMIT 2200/30, 018-S0322
 - SPEED: 0-30 FEET PER MINUTE (0-9.1 M/MIN)
 - HOIST CAPACITY: 2,200 POUNDS (998 KG)
 - HOIST SELF WEIGHT: 870 POUNDS (395 KG)
 - 208 VAC AND 480 VAC
 - SUMMIT 1500/205, 018-S2115
 - SPEED: 0-205 FEET PER MINUTE (0-62.5 M/MIN)
 - HOIST CAPACITY: 1,500 POUNDS (680 KG)
 - HOIST SELF WEIGHT: 848 POUNDS (385 KG)
 - 480VAC ONLY
 - MAXIMUM BATTEN TRAVEL: 55'-0" (16.8 M)
 - NUMBER OF LIFT LINES: 4-8
 - CABLE SIZE: 3/16" (4.8 MM)
 - ACCESS REQUIRED TO THE HOIST FOR SERVICE, ANNUAL INSPECTION AND MAINTENANCE.

Wenger CORPORATION
Wenger RCLANCY
GEARBOSS

THIS DRAWING AND RELATED SPECIFICATIONS ARE CONFIDENTIAL AND PROPRIETARY TO THE WENGER CORPORATION. COPYRIGHT 2025 WENGER CORPORATION ALL RIGHTS RESERVED.

WENGER COPORATION

OWATONNA MN, 55060

THIS DRAWING IS PROVIDED FOR INFORMATIONAL PURPOSES ONLY. THIS DRAWING WAS PRODUCED BASED ON INFORMATION PROVIDED TO US BY AN ARCHITECT AND FIELD INFORMATION PROVIDED BY YOU OR YOUR AGENT. WE HAVE NO WAY OF CONFIRMING THE ACCURACY OR COMPLETENESS OF THE INFORMATION PROVIDED TO US. YOU ARE RESPONSIBLE FOR PROPERLY INSTALLING THE EQUIPMENT BASED ON ACTUAL FIELD CONDITIONS, NOTWITHSTANDING CONTRARY INFORMATION CONTAINED IN, OR OMITTED FROM, THIS DRAWING.

ARCHITECT:

CONSULTANT:

CONTRACTOR:

STANDARD TOLERANCES (UNLESS NOTED OTHERWISE)

MACHINING:	1/X	±1/16"
	.XX	±.015"
	.XXX	±.005"
	ANGZ	±1/2°
WELDING:	DIMS 0 - 10"	±1/16"
	DIMS 10" - +	±1/8"
	ANGZ	±1/2°

FINISH: TO BE SPECIFIED

FINISH:	WEIGHT:	ORDER:
---------	---------	--------

THIRD ANGLE PROJECTION PER ASME Y14.3

DRAWING TITLE:
 SUMMIT HOIST
 LIMITS OF USE / LAYOUT

PROJECT/OPPORTUNITY NUMBER:

SCALE: DO NOT SCALE DRAWING

DATE	DRN BY	CHK BY	APVD BY
02/24/25	DJC		

DRAWING NUMBER: **SST-1** REV: **A**