

### Assembly Instructions and Owner's Manual Inside

#### **! CAUTION**

*Failure to follow these instructions could result in serious injury or damage to the shell.*

#### **! CAUTION**

*Read the Assembly Instructions before removing the pallet or unbanding the shell.*

**DO NOT REMOVE OR DISASSEMBLE THE PALLET AT THIS TIME.**

#### ***If There Is A Forklift and Loading Dock***

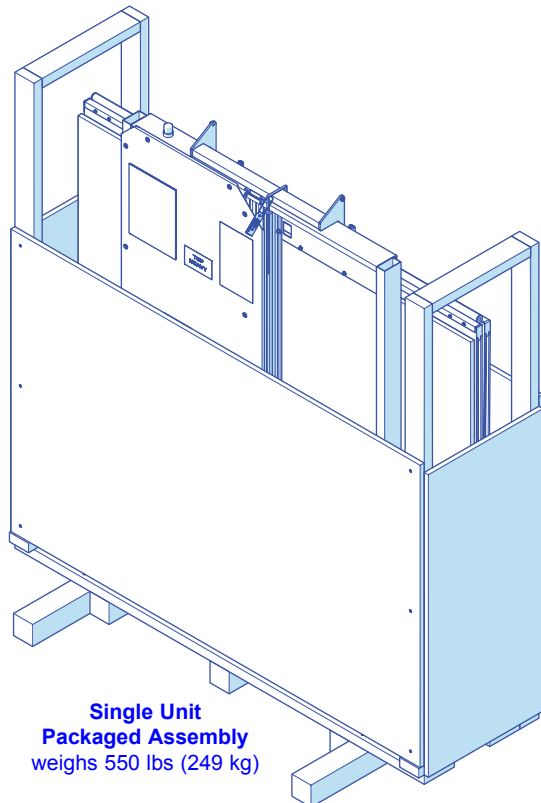
Remove the shell from the truck upright as it was shipped.

#### ***If There Is A Loading Dock, But No Forklift***

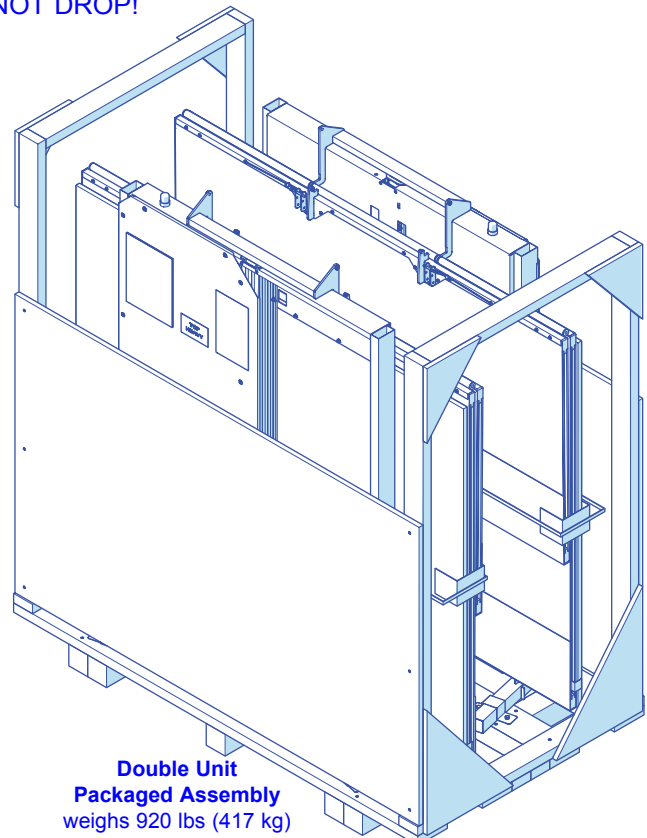
Shells are top-heavy, Keep the shell upright. Slide it off the truck, leading with one of the narrow ends or move with a pallet jack.

#### ***If There Is No Loading Dock***

The delivery truck is required to have a lift gate.  
**CAREFULLY** lower the pallet to the ground. **DO NOT DROP!**



**Single Unit**  
Packaged Assembly  
weighs 550 lbs (249 kg)



**Double Unit**  
Packaged Assembly  
weighs 920 lbs (417 kg)