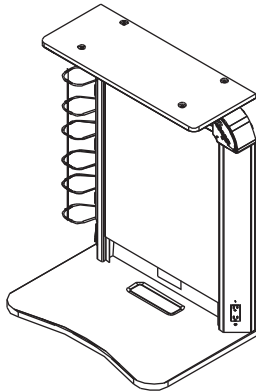




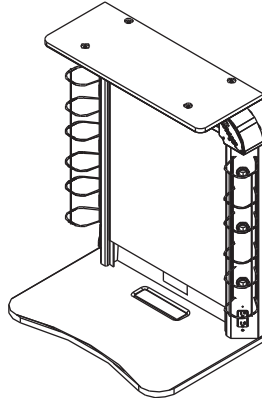
Your Performance Partner

# Owner's Manual Studio® Makeup Station

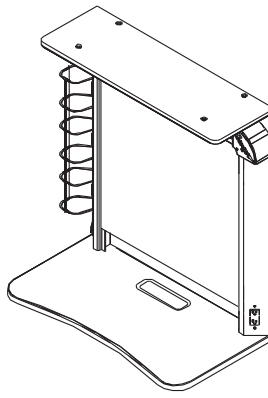
30-inch Model  
36-inch Model



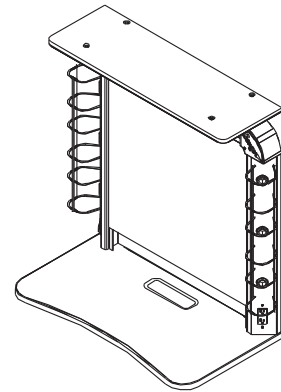
5-light 30-inch Studio Makeup Station



8-light 30-inch Studio Makeup Station



6-light 36-inch Studio Makeup Station



9-light 36-inch Studio Makeup Station

## CONTENTS

Safety	2
Installation	2
Use	2
Maintenance	3
Important User Information	4
User Instructions	5
Intended Use	5
Lighting	6
Electric Receptacle	7
Mirror	8
Counter	8
Storage Shelf	8
Tackboard	9
Accessories	9
Maintenance	10
Broken Mirror Replacement	10
GFCI Test	12
Lighting	12
Cleaning	12
Replacement Parts	13
Makeup Station Main Assembly	13
Makeup Station Additional Parts	14
Warranty	15

**Note:** Please read and understand the Studio Makeup Station Owner's Manual.

**Note:** Refer to the illustrations on the following pages. If you need additional information about your Studio Makeup Station, write, email, or telephone Wenger Corporation at the number or address below.

**Note:** Save these instructions.

## **SAFETY**

---

Throughout this manual you will find **CAUTIONS** and **WARNINGS** which are defined as follows.

- **WARNING** means that failure to follow the instruction may result in serious injury or death.
- **CAUTION** means that failure to follow the instruction may result in serious injury or damage to the Studio Makeup Station.

**Note:** Read all of these safety instructions before using the Studio Makeup Station.

**Note:** Failure to comply with warnings and cautions in this section can result in damage to property, serious injury, or death.

## **INSTALLATION**

Each Makeup Station is supplied with Installation Instructions and an Owner's Manual. Both have specific instructions, warnings, and cautions that apply to the installation and use.

- Always make sure that anyone installing the Studio Makeup Station has read and understands this manual. Failure to observe this precaution can result in the risk of injury or damage to property.
- Some installation steps require that two persons work together. The 36-inch Studio Makeup Station weighs about 80-pounds and the 30-inch Studio Makeup Station weighs 72-pounds when completely assembled. Serious injury or damage to the Station can happen if only one person attempts to move or lift the Station. Two people must always work together when lifting or moving the Studio Makeup Station.
- Never lift the completely assembled Makeup Station by grasping the wire cages or the Shelf. Damage to the wire cages can occur. Always lift or move the Station by grasping the steel frame or the mirror surround.
- Do not connect the Makeup Station to an electrical source until the installation is complete and the mirror and counter are in place. Failure to observe this precaution can result in serious injury or death!
- The Makeup Station must be permanently connected to a grounded wiring system by a licensed electrician. Failure to follow this precaution can result in damage to property, serious injury or death!
- Branch circuits must always be designed by an electrical engineer and comply with electrical codes and user requirements. Failure to follow this precaution can result in damage to property, serious injury or death!
- Always wear safety glasses and safety shoes when installing the Makeup Station. Failure to observe this warning can result in serious injury.

## **USE**

- Always use the Makeup Station only for its intended purpose as described in these instructions. Failure to observe this precaution can result in injury or damage to property.
  - Never splash liquids onto the lighting or onto the Mirror Surround. Failure to observe this precaution can result in injury or damage to property.
  - Always use only 60 watt or smaller incandescent bulbs or 15 watt swirl fluorescent bulbs. Failure to observe this precaution can result in injury or damage to property.
  - Never insert any object into the lampholders other than the recommended bulbs. Failure to observe this precaution can result in injury or damage to property.
  - Never hang cords, costumes, wigs, or flammable items near the light bulbs. Failure to observe this precaution can result in injury or damage to property.
  - Never hang anything from the light bulb cages. Failure to observe this precaution can result in injury or damage to property.
  - Never use the outlets if the Ground Fault Current Interrupt indicates a ground fault. Failure to observe this precaution can result in injury or damage to property.
-

## **SAFETY CONTINUED**

---

### **USE CONTINUED**

- Never exceed a total 20-ampere load on the electrical outlets. Failure to observe this precaution can result in injury or damage to property.
- Never leave a hair dryer or a curling iron operating and unattended. Failure to observe this precaution can result in injury or damage to property.
- Never plug hot plates or coffee machines into the Makeup Station electrical outlets. Failure to observe this precaution can result in burns, fire, electric shock, or injury.
- Never sit or stand on the Makeup Station Counter. Failure to observe this precaution can result in injury or damage to property.
- Never place items heavier than 75 pounds onto the Makeup Station Counter. Failure to observe this precaution can result in the risk injury or damage to property.
- Never place items heavier than 25 pounds onto the Makeup Station Shelf. Failure to observe this precaution can result in the risk injury or damage to property.
- Never use the Makeup Station outdoors. Failure to observe this precaution can result in injury or damage to property.
- Always provide adult supervision when children use the Makeup Station. Failure to observe this precaution can result in injury or damage to property.

### **MAINTENANCE**

- Always turn the light switch off before changing bulbs. Failure to observe this precaution can result in electrical shock.
- Always disconnect power to the Makeup Station before cleaning. Failure to observe this precaution can result in electrical shock.
- Do not alter the electrical circuits without the expressed permission of Wenger Corporation. Failure to follow this precaution can result in damage to property, serious injury or death!
- Replace any broken light bulbs immediately. Failure to observe this precaution can result in electrical shock.
- Replace any malfunctioning electrical components only with components with the same specification.
- Replace the Mirror immediately if it is cracked or broken.

## **IMPORTANT USER INFORMATION**

---

The Studio Makeup Station is manufactured by:

Wenger Corporation  
555 Park Drive • PO Box 448  
Owatonna, MN 55060  
1-507-455-4100 • 1-800-733-0393  
[www.wengercorp.com](http://www.wengercorp.com)

The Studio Makeup Station part numbers and electrical ratings are:

- 9-light Model 187A001  
Electrical Rating 120 V, 20.5 Amps, 60 Hz
- 8-light Model 187A005  
Electrical Rating 120 V, 20.0 Amps, 60 Hz.
- 6-light Model 187A002  
Electrical Rating 120 V, 19.0 Amps, 60 Hz
- 5-light Model 187A006  
Electrical Rating 120 V, 18.5 Amps, 60 Hz

If you decide to contact Wenger Corporation about your Studio Makeup Station, you may need to find the date of manufacture which is engraved on the steel frame below the Counter.

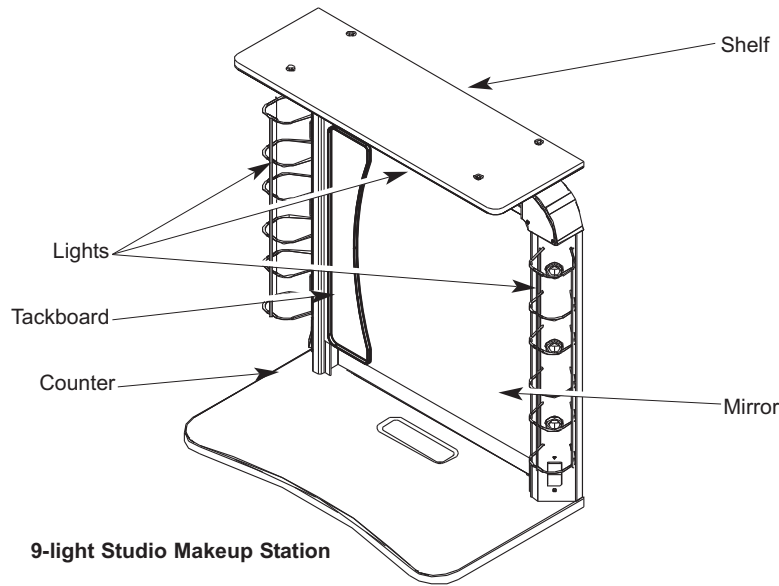
# USER INSTRUCTIONS

---

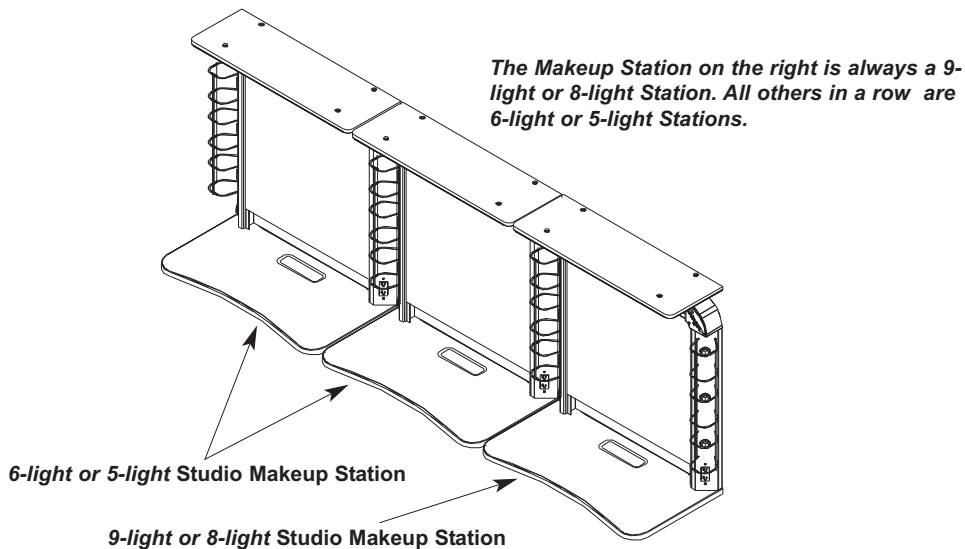
## INTENDED USE

The Studio Makeup Station is intended to provide the necessary elements to apply makeup or create special visual effects. It has the following features.

1. Lighting that is bright and untainted in color.
2. Electrical outlets for makeup appliances.
3. A large mirror.
4. A storage shelf that also is a light diffuser.
5. A counter with ample elbow room and a light-diffusing surface.
6. A tackboard (36-inch Models only) for makeup design renderings, schedules, etc.



The Studio Makeup Station can be installed as a single unit or in a row of two or more Stations. Each Station, whether a single unit or a row, has the features outlined above.



## USER INSTRUCTIONS CONTINUED

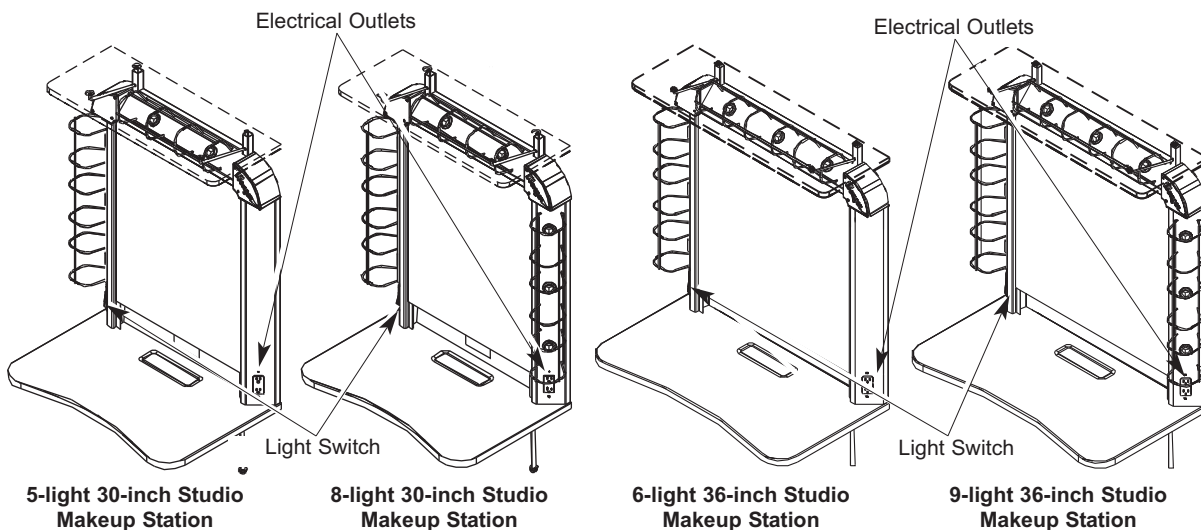
### LIGHTING

Light bulbs are not supplied with the Studio Makeup Station. The end user should choose the light bulb that is best suited for the Makeup Station use. For accurate color rendering, Wenger Corporation recommends either of the following.

- GE Reveal® 60 watt or GE Reveal® 40 watt incandescent bulbs
- Full-spectrum, 15-watt, swirl fluorescent bulbs

**Warning:** *Never use bulbs larger than 60 watts. The electrical circuitry is designed for 60 watt bulbs. Using larger sizes may cause overheating of components or cause other problems that can result in fire, electric shock, injury or damage to property.*

- Each 9-light Studio Makeup Station has nine lights, three on the right, three on the top and three on the left side. The Light Switch on the lower left of the Mirror turns the lights on and off.
- Each 8-light Studio Makeup Station has eight lights, three on the right, two on the top and three on the left side. The Light Switch on the lower left of the Mirror turns the lights on and off.
- Each 6-light Studio Makeup Station has six lights, three on the left and three on the top. The Light Switch on the lower left of the Mirror turns the lights on and off.
- Each 5-light Studio Makeup Station has five lights, three on the left and two on the top. The Light Switch on the lower left of the Mirror turns the lights on and off.
- When a 9-light Station and a 6-light Station are adjacent to each other, they share the 9-light Station left column of lights.



**! WARNING**

Never use bulbs larger than 60 watts. Fire, damage to property or injury can result if this caution is ignored.

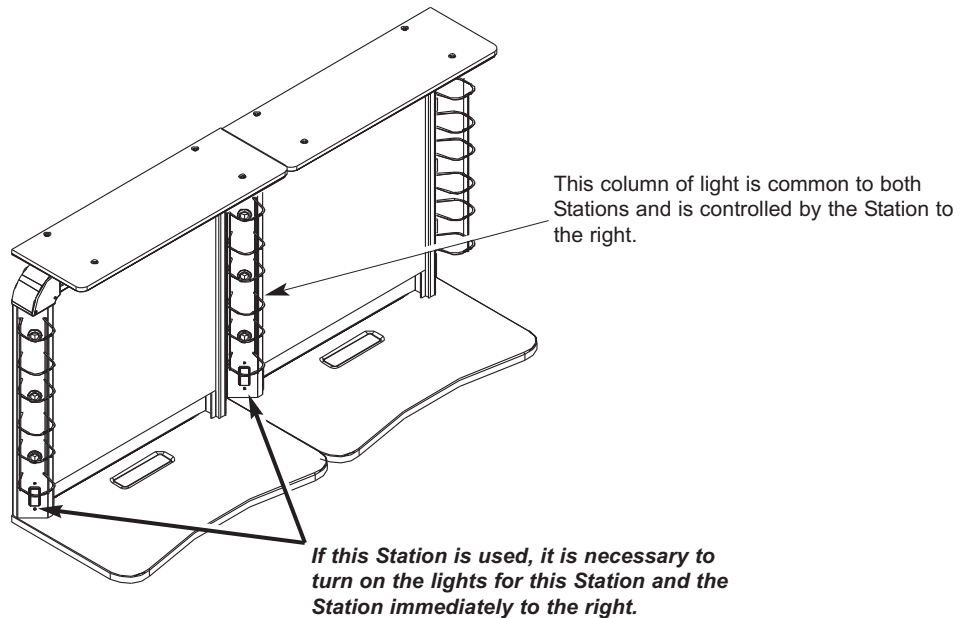
**! WARNING**

Never hang clothes, wigs, etc. from the wire cages. Fire or injury can result if this caution is ignored.

## USER INSTRUCTIONS CONTINUED

### LIGHTING CONTINUED

When two or more Stations are installed in a row, only the Station on the extreme right side has a switch that controls all lights. The Light Switch on Stations to the left controls only the top row and left column of lights. If a Station to the left is used, it is necessary to turn on the lights for that Station and the Station immediately to the right.



### ELECTRIC RECEPTACLE

An electrical Duplex Receptacle is located on the lower right of the Mirror on each Makeup Station.

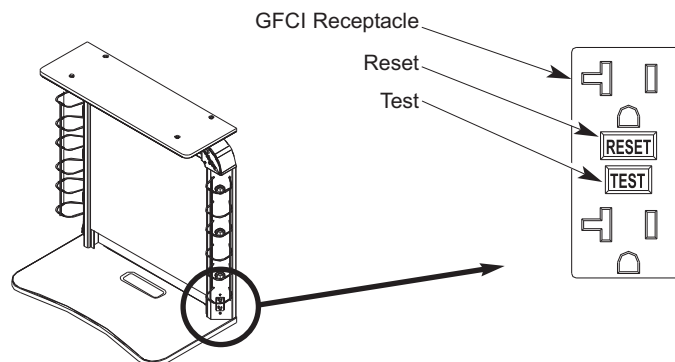
- Appliances used to apply makeup can plug into this Receptacle.
- This receptacle has Ground Fault Circuit Interrupter for shock protection.

**Warning:** *Never plug appliances into the Receptacle that will exceed the current capacity of the branch circuit. Overloading may cause a power interruption.*

**Warning:** *Never plug a device with faulty wiring into either of the two Receptacle outlets. Failure to observe this precaution can result in injury or damage to property.*

**Warning:** *Never pour, spray, or splash liquids near the receptacle outlets. Failure to observe this precaution can result in injury or damage to property.*

**Caution:** *Test the GFCI Receptacle every 30 days. Refer to page 12.*



## USER INSTRUCTIONS CONTINUED

---

### MIRROR

The Studio Makeup Station Mirror is shatter-resistant and shatter-controlled. ***It is not unbreakable.***

**Warning:** ***Never strike the mirror with hard, heavy objects. Never handle a broken mirror with bare hands. Always have a qualified worker remove a broken mirror immediately. Failure to observe these warnings can result in serious injury.***

**Note:** Refer to page 10 for instructions regarding replacing a broken mirror or call Wenger Corporation Customer Service.

### COUNTER

- The Counter surface is matte white for light diffusion and is mar and stain resistant. The surface can withstand the operating temperatures typical of the dressing room environment.
- The Counter will support loads up to 75 pounds.
- Refer to the Maintenance Section regarding cleaning the Counter surface.

**Caution:** ***Never put paint or nail polish on the Counter surface. Permanent damage can occur. If these or similar materials are spilled on the Counter surface, call Wenger Corporation Customer Service for specific recommendations.***

**Caution:** ***Never drag sharp tools or other objects across the Counter surface. Permanent damage such as deep scratches can occur.***

**Warning:** ***To reduce the risk of fire, smoke, or injury to persons, observe the following warnings.***

- ***Never leave a hair dryer operating on the Counter for more than a few seconds.***
- ***Never lay a hot iron (curling, flattening, crimping, etc.) directly on the Counter surface.***
- ***Never place cooking appliances such as a hot plate, crockpot, or a coffee machine on the Counter.***
- ***Never lay cigarettes, cigars, or smoking pipes on the Counter surface.***
- ***Never sit or climb on the Counter.***

### STORAGE SHELF

The Shelf is suitable for storage of wigs, hats, makeup kits, etc.

- The Shelf surface is matte white for light diffusion and is mar and stain resistant. The surface can withstand the operating temperatures typical of the dressing room environment.
- The Shelf will support loads up to 25 pounds.
- Refer to the Maintenance Section regarding cleaning the Shelf surface.

**Warning:** ***To reduce the risk of fire, smoke, or injury to persons, observe the following warnings.***

- ***Never leave a hair dryer operating on the Shelf for more than a few seconds.***
  - ***Never lay a hot iron (curling, flattening, crimping, etc.) directly on the Shelf surface.***
  - ***Never place cooking appliances such as a hot plate, crockpot, or a coffee machine on the Shelf.***
  - ***Never lay cigarettes, cigars, or smoking pipes on the Shelf surface.***
  - ***Never overload the Shelf or stack items that might fall and cause injury.***
  - ***Never use bulbs larger than 60 watts.***
-



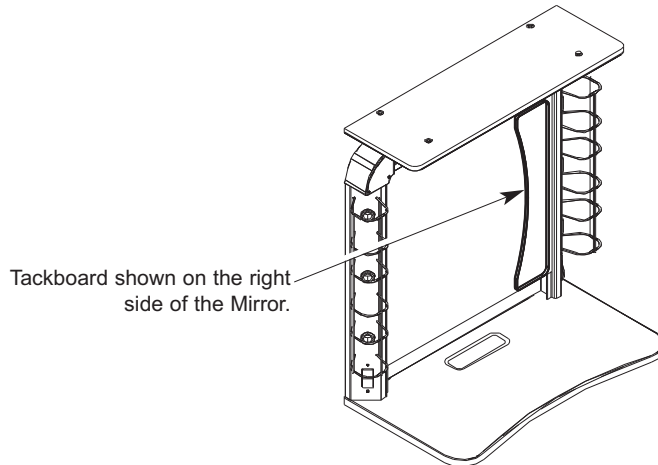
## USER INSTRUCTIONS CONTINUED

---

### TACKBOARD, 36-INCH MODEL

The Tackboard is shipped separately with each the 36-inch Model Studio Makeup Station.

- Most actors will find a Tackboard useful for posting pictures, schedules, etc.
- The Tackboard may be applied to the Mirror surface on either side, top or bottom. Wenger Corporation recommends installation at the side of the Mirror.



To install the Tackboard, do as follows.

1. Remove the Tackboard from its package. **Do not remove the protective backing from the mounting tape at this time.**
2. Decide where the Tackboard will be mounted.
3. Remove the protective backing from the mounting tape.
4. Carefully position the Tackboard on the Mirror surface and press firmly. Don't let the exposed tape touch the Mirror until the Tackboard is in the desired position.

**Warning:** Do not pound on the Tackboard. Breakage of the Mirror can occur.

### ACCESSORIES

The following accessories are only available for the 36-inch Model Studio Makeup Station.

- **Storage Cubby** — an open Cubby attaches below the Counter on the right hand side. The storage volume is 8-inches wide, seven -inches high, and 15-inches deep.
- **Drawer Unit** — a closed drawer (not equipped with a lock) attaches below the Counter on the right hand side. It has drawer glides for smooth operation and a storage volume similar to the Storage Cubby described above. (Available in the Fall of 2004.)

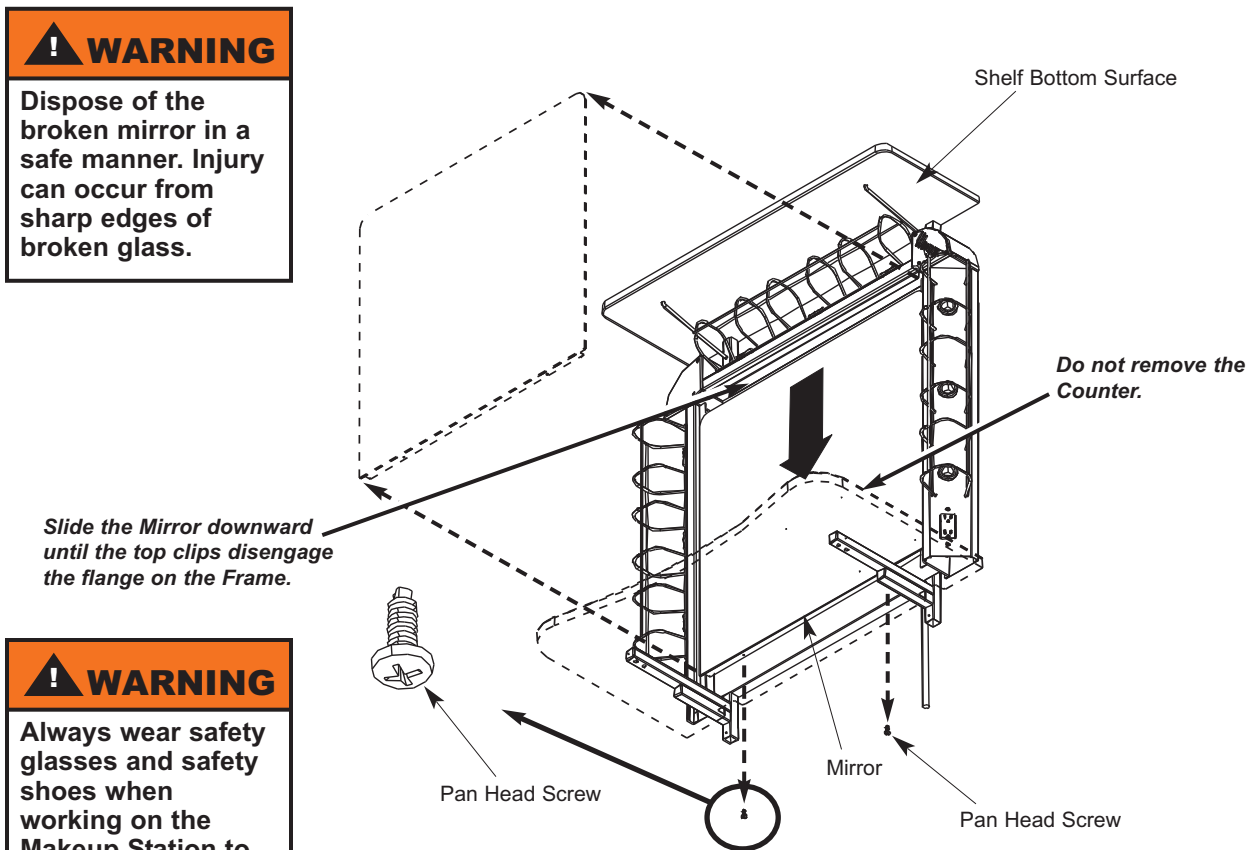
Call Wenger Corporation for specific dimensions, installation procedure, and pricing information.

# MAINTENANCE

## BROKEN MIRROR REPLACEMENT

To replace a damaged Mirror, do the following.

1. Remove the broken mirror as follows.
  - a. With one person (wearing work gloves) holding the Mirror in place and a second person using a short phillips screwdriver, remove the two pan head screws that hold the mirror in place. Set the screws aside.
  - b. Using work gloves, slide the broken mirror downward about one inch and then lift the mirror away from the Station and set it aside.



**! WARNING**  
Always wear safety glasses and safety shoes when working on the Makeup Station to avoid serious injury.

**! WARNING**  
Take care in removing the old mirror. Serious injury can occur from sharp edges of broken glass.

**! WARNING**  
Always wear heavy work gloves when handling a broken mirror. Broken glass can cause serious injuries.

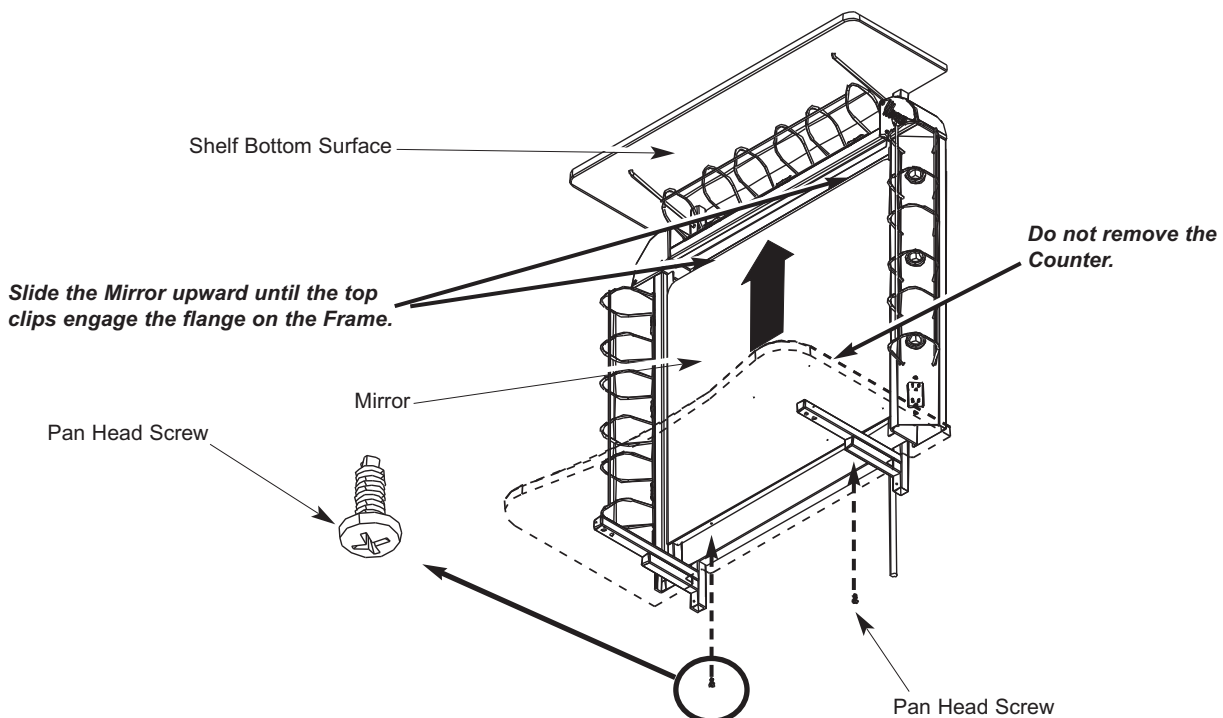
**! CAUTION**  
Two people must work together to remove the mirror to avoid injury.

**! WARNING**  
Do not remove the Counter when replacing a broken mirror to avoid exposing electrical wiring.

## MAINTENANCE CONTINUED

### MIRROR REPLACEMENT CONTINUED

2. Install the new Mirror as follows.
  - a. With two people working together, place the Mirror against the Frame with Mirror Flange at the bottom and the top of the Mirror about an inch from the top .
  - b. Slide the Mirror upward until the Mirror Flange contacts the Frame and the top clips engage the Frame.
  - c. With one person holding the Mirror in place, attach the two Pan Head Screws with a short phillips screw driver (set aside when the broken Mirror was removed from the Frame) that hold the Mirror to the Frame.



## **MAINTENANCE CONTINUED**

---

### **GFCI TEST**

Every 30 days test the GFCI Receptacle as follows.

1. Push the **RESET** push button on the receptacle.
2. Plug a night-light into one of the outlets and turn the night-light on. The bulb should turn on.
3. Push the **TEST** push button on the receptacle. The night-light should go off. ***If it does not, the Receptacle is faulty.***
4. Push the **RESET** push button. The night-light should turn on. ***If it does not, the Receptacle is faulty.***
5. If the GFCI Receptacle fails the test, have a licensed electrician replace the receptacle with another GFCI Receptacle with the same specification.

### **LIGHTING**

1. Always replace burned out or broken bulbs with the bulbs recommended on page 6.

**Warning:** ***Always turn the light switch off before replacing bulbs. Never use bulbs larger than 60 watts. Always wear gloves when removing a broken bulb.***

### **CLEANING**

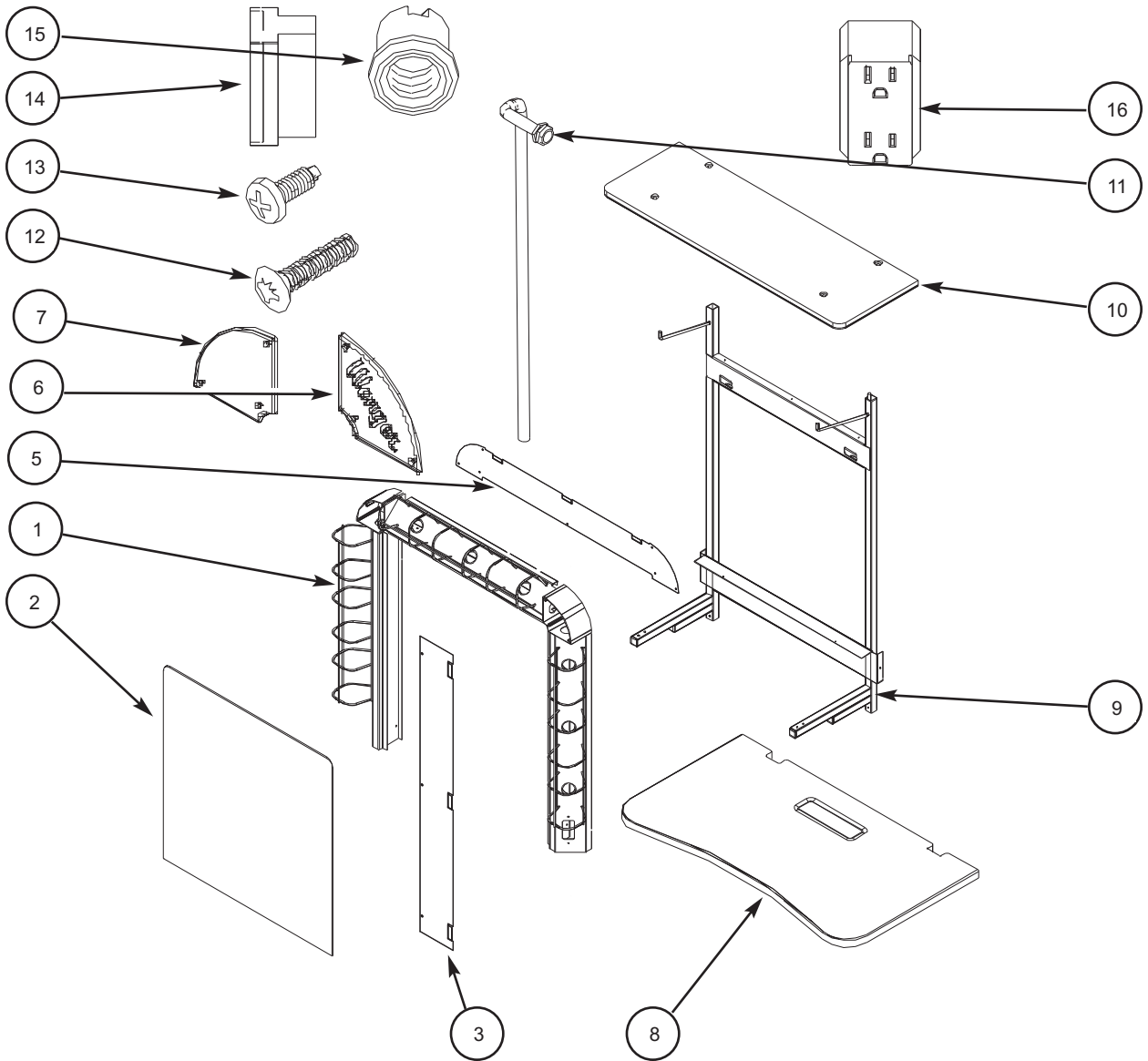
1. Use a soft cotton cloth and a mild detergent to clean the Counter and Shelf.
2. Avoid using harsh, abrasive detergents on the Counter and Shelf. Difficult stains such as wine or mustard can be removed with a non-abrasive bathtub cleaner.

**Warning:** ***Never pour, spray, or splash liquids near the receptacle outlets. Failure to observe this precaution can result in injury or damage to property.***

3. Clean the Mirror with a clean soft cotton cloth and a glass cleaner.
4. To clean residue or dust from bulbs, do as follows.
  - a. Turn the lights off and allow the bulbs to cool.
  - b. Carefully remove the bulbs from the sockets.
  - c. Clean the bulbs with a dampened cloth.
  - d. Reinstall the bulbs.

# REPLACEMENT PARTS

## MAKEUP STATION MAIN ASSEMBLY

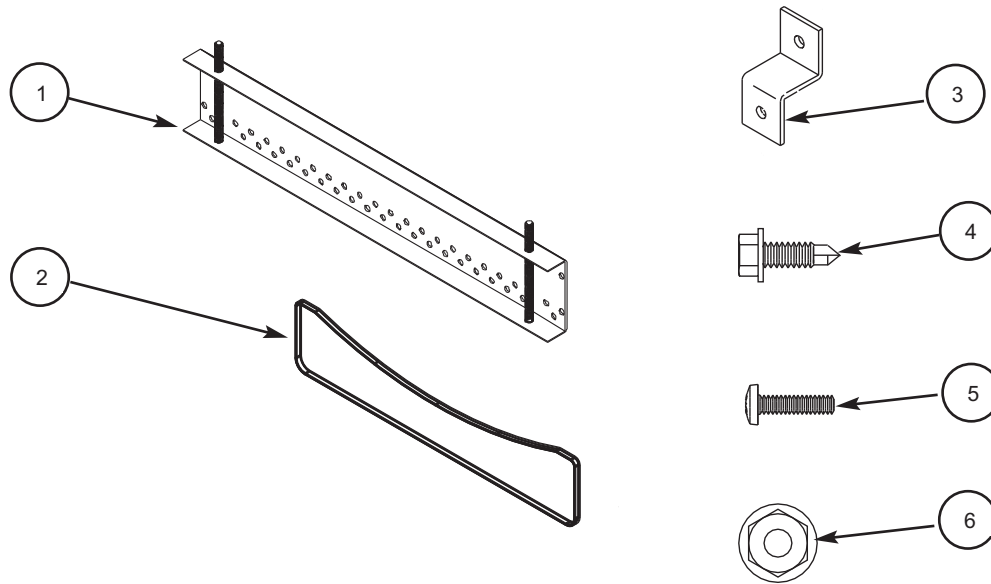


Item	Description
1*	Mirror Surround Assembly, Studio
2*	Mirror Assembly, Studio
3	Side Raceway Cover, Studio
4	(blank item)
5*	Top Raceway Cover, Studio
6	Corner Cover, with logo
7	Corner Cover, Plain
8*	Counter, Studio
9*	Main Frame, Studio

Item	Description
10*	Shelf, Studio
11	3/8" Screw-in Connector/ Flex Conduit
12	Phillips Oval Head Screw, 8-32x3/4" Grade 2, Wedgewood
13	Phillips Truss Head Screw, 6-32x1/2" Grade 2, White
14	Rocker Switch, 15 ampere, 120VAC
15	Lamp Holder, Snap-in
16	GFCI Outlet Receptacle, 20 ampere
	* Specify 9-light, 8-light, 6-light, or 5-light Model

# REPLACEMENT PARTS CONTINUED

## MAKEUP STATION ADDITIONAL PARTS



Item	Description
1*	Wall Mounting Bracket
2	Tackboard Assembly (36-inch Model only)
3	Bottom Frame Clip
4	Self-drill Screw, 1/4-14x3/4"
5	Phillips Head Sheet Metal Screw, #10x3/4"
6	Flange Nut, 3/8-16

\* Specify 36-inch or 30-inch Model

## **WARRANTY**

---

The Studio Makeup Station is guaranteed free of defects in materials and workmanship for five full years.

Our guarantee assures you of either a full refund or repair or replacement of the defective materials or workmanship without charge, at the discretion of our Customer Service Department. Just call a Customer Service Representative at 1-800-887-7145 and state the reason you are dissatisfied. If a product return is necessary, your representative will issue a return authorization. This is your sole remedy for breach of this warranty.

Should you have a question or problem with any Wenger product, don't hesitate to call, even if the product is past warranty. It's important to us that all our customers be satisfied.

This is the sole warranty made by Wenger. Wenger disclaims all other warranties, including the warranties of merchantability and fitness for a particular purpose, as well as all liability for incidental, consequential, special, and indirect damage. Wenger liability for direct damages shall be limited to the amount you paid for the product involved. Wenger reserves the right to make product changes without obligation to incorporate such changes into products previously sold.

Some states do not allow the exclusion or limitation of damages or warranties, so the above may not apply to you. This warranty gives you specific legal rights. You may also have other rights which vary from state to state.

This page is intentionally blank.