

Nota Chair

CONTENTS

| | |
|--------------------------------|---|
| Safety | 2 |
| Warranty | 2 |
| Required Tools | 2 |
| Fastener Parts List | 2 |
| Front Bumper Replacement | 3 |
| Replacement Parts List | 4 |
| Front Bumper | 4 |

Note: Please read and understand the Nota Chair™ Front Bumper Replacement Instructions before attempting installation, assembly, or use.

Note: Remove all items from the shipping containers and sort the components by type, size, etc. Refer to the illustrations on the following pages. If you need additional information, contact the Wenger Corporation using the information listed below.

SAFETY

Read and understand the following safety instructions before installing the Front Bumper.

⚠ CAUTION
Always wear safety glasses when operating the Electric Drill or Rivet Gun.

⚠ CAUTION
Make sure that anyone who helps install the Front Bumper has read and understands this manual.

WARRANTY

The Wenger Nota Chair is guaranteed free of defects in materials and workmanship for five full years.

Our guarantee assures you of either a full refund or repair or replacement of the defective materials or workmanship without charge, at the discretion of our Customer Service Department. Just call a Customer Service Representative at 1-800-887-7145 and state the reason you are dissatisfied. If a product return is necessary, your representative will issue a return authorization. This is your sole remedy for breach of this warranty.

Should you have a question or problem with any Wenger product, don't hesitate to call, even if the product is past warranty. It's important to us that all our customers be satisfied.

This is the sole warranty made by Wenger. Wenger disclaims all other warranties, including the warranties of merchantability and fitness for a particular purpose, as well as all liability for incidental, consequential, special, and indirect damage. Wenger liability for direct damages shall be limited to the amount you paid for the product involved. Wenger reserves the right to make product changes without obligation to incorporate such changes into products previously sold.

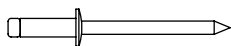
Some states do not allow the exclusion or limitation of damages or warranties, so the above may not apply to you. This warranty gives you specific legal rights. You may also have other rights which vary from state to state.

REQUIRED TOOLS

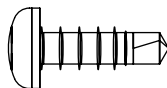
The following tools must be supplied by the installer to replace the Front Bumper:

- Electric Drill with 1/8" Drill Bit (to remove old rivets)
- Rivet Gun (to install using rivets)
- Electric Screwdriver or Drill with Phillips Head Bit (to install using screws).

FASTENER PARTS LIST



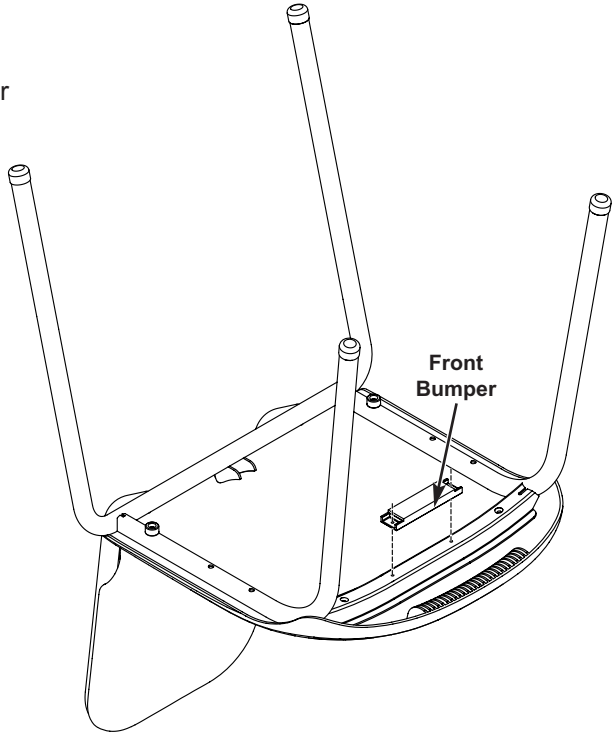
1/8" (0.125 mm) Diameter Rivet,
Blind, Grip 0.188/0.25"



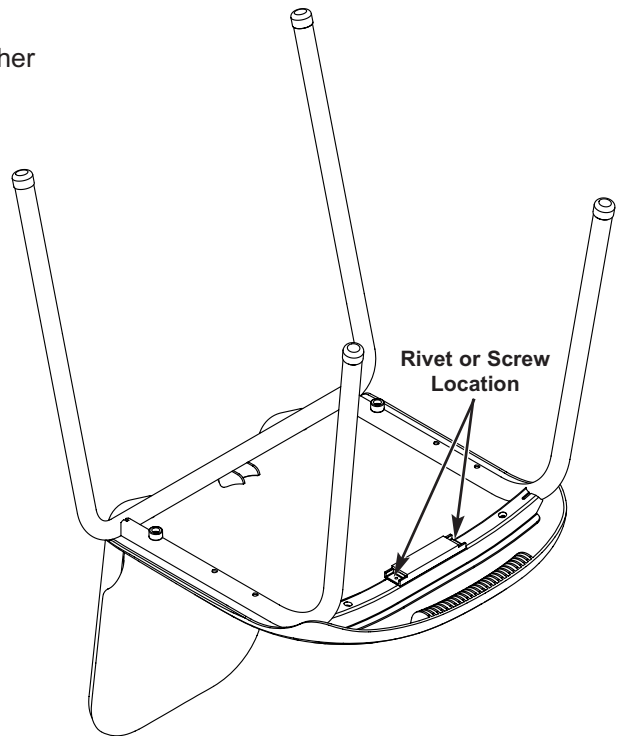
Screw, Self Tapping,
8-18 x 1/2", Phillips Head

FRONT BUMPER REPLACEMENT

1. If the old Front Bumper and Rivets need to be removed, Drill out the old Rivets or rivet remnants with an Electric Drill fitted with an $\frac{1}{8}$ " Drill Bit.
2. Place the Front Bumper over the front two center holes in the frame on the bottom of the chair.



3. Secure the Front Bumper to the frame using either two Rivets or two Screws.



REPLACEMENT PARTS LIST

FRONT BUMPER

| <u>Item</u> | <u>Qty</u> | <u>Description</u> |
|-------------|------------|--|
| 1 | 1 | Front Bumper |
| 2 | 3* | 1/8" (0.125 mm) Diameter Rivet, Blind, Grip 0.188/0.25 |
| 3 | 3* | Screw, Self Tapping, 8-18 x 1/2" Phillips Head |

*Only two Rivets or Screws needed. There is a spare of each included.

