

**Flex Conductors Stand
with Polycarbonate Desk**



**Flex Conductors Stand
with High-Pressure Laminate Desk**

CONTENTS

Important User Information	2	Assembly	4
General	2	Base Assembly	4
Manufacturer	2	Attach Desk	5
Intended Use	2	Attach Desk Lip	6
Warranty	2	Operation	7
Safety Precautions	2	To Set the Desk Height	7
Required Tools	3	To Tilt the Desk	7
Parts List	3	To Rotate the Desk	8
		To Move the Flex Conductor's Stand	8
		Maintenance	8

Note: Please read and understand these instructions before assembling the parts.

Note: Remove all items from the shipping cartons and arrange them in a convenient location. Refer to the illustrations on the following pages. If you need additional information, contact the Wenger Corporation using the information below.

IMPORTANT USER INFORMATION

GENERAL

Copyright © 2014 by Wenger Corporation

All rights reserved. No part of the contents of this manual may be reproduced, copied, or transmitted in any form or by any means including graphic, electronic, or mechanical methods or photocopying, recording, or information storage and retrieval systems without the written permission of the publisher, unless it is for the purchaser's personal use.

Printed and bound in the United States of America.

The information in this manual is subject to change without notice and does not represent a commitment on the part of Wenger Corporation. Wenger Corporation does not assume any responsibility for any errors that may appear in this manual.

In no event will Wenger Corporation be liable for technical or editorial omissions made herein, nor for direct, indirect, special, incidental, or consequential damages resulting from the use or defect of this manual.

The information in this document is not intended to cover all possible conditions and situations that might occur. The end user must exercise caution and common sense when assembling or installing Wenger Corporation products. If any questions or problems arise, call Wenger Corporation at 1-800-733-0393.

MANUFACTURER

The Flex Conductor's Stand is manufactured by:

Wenger Corporation
555 Park Drive
Owatonna, MN 55060
1-800-4WENGER (493-6437) • 1-507-455-4100
www.wengercorp.com

INTENDED USE

- This product is intended for indoor use in normal ambient temperature and humidity conditions — it must not be exposed to prolonged outside weather conditions.
- This product is intended to be assembled and used only as described in these instructions.

WARRANTY

This product is guaranteed free of defects in materials and workmanship for five full years from date of shipment. A full warranty statement is available upon request.

SAFETY PRECAUTIONS

Throughout this manual you may find cautions and warnings which are defined as follows.

- **WARNING** means that failure to follow the instruction may result in serious injury or death.
- **CAUTION** means that failure to follow the instruction may result in serious injury or damage to property.

Read all of the safety instructions before assembling or using the Flex Conductor's Stand.

 CAUTION
<i>Make sure that anyone working with the Flex Conductor's Stand has read and understands these instructions.</i>

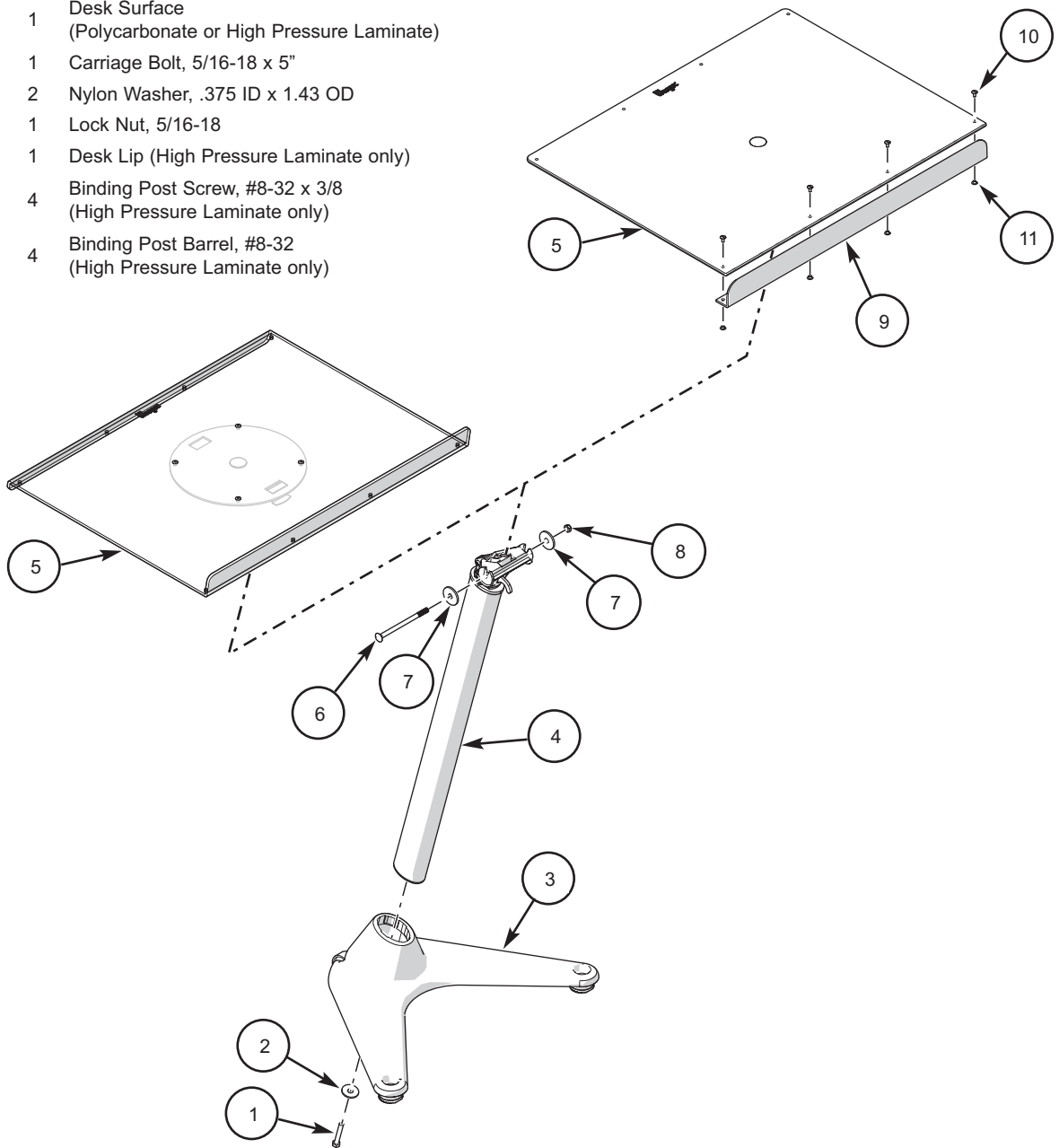
 CAUTION
<i>Failure to comply with the Warnings and Cautions in this document can result in damage to property or serious injury.</i>

REQUIRED TOOLS

- 1/2" Socket or Open/Box End Wrench
- Flat Head Screwdriver
(for High-Pressure Laminate Desk Lip only)

PARTS LIST

Item	Qty	Description
1	1	Hex Head Capscrew, 5/16-18 x 2"
2	1	Washer, 3/8 ID x 1-1/4 OD
3	1	Base
4	1	Oval Mast
5	1	Desk Surface (Polycarbonate or High Pressure Laminate)
6	1	Carriage Bolt, 5/16-18 x 5"
7	2	Nylon Washer, .375 ID x 1.43 OD
8	1	Lock Nut, 5/16-18
9	1	Desk Lip (High Pressure Laminate only)
10	4	Binding Post Screw, #8-32 x 3/8 (High Pressure Laminate only)
11	4	Binding Post Barrel, #8-32 (High Pressure Laminate only)



ASSEMBLY

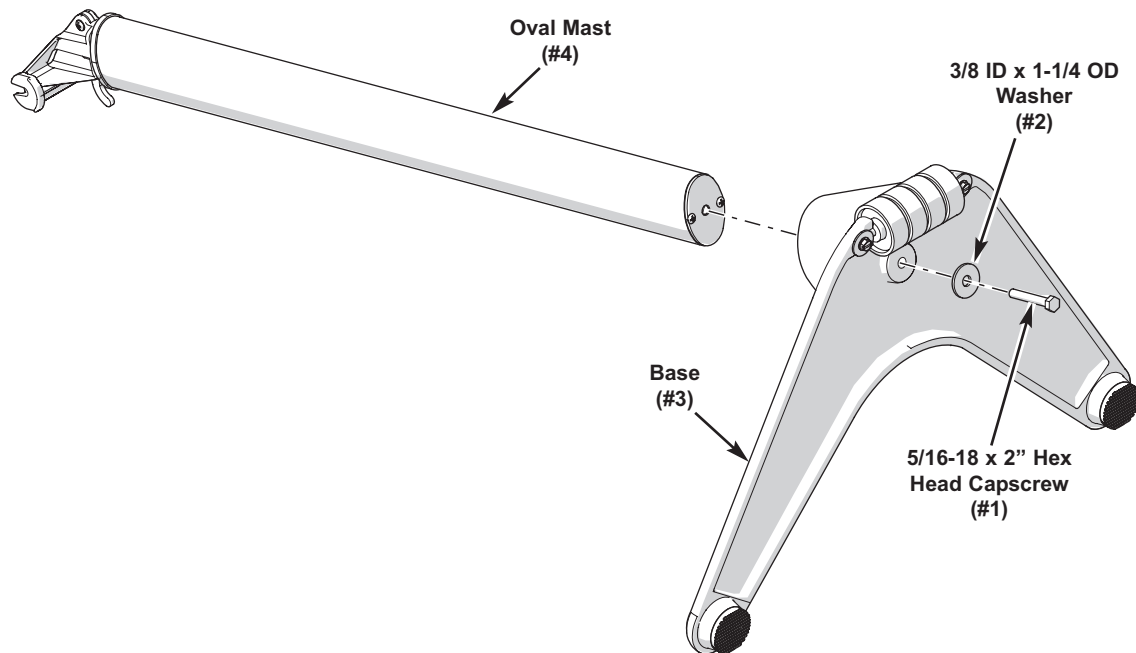
BASE ASSEMBLY

Attach the Oval Mast to the Base:

1. Insert the Oval Mast (#4) into the oval shaped hole at the top of the Base (#3). Push the Oval Mast until it is flush with the bottom of the Base.



2. Secure the Mast to the Base with one 5/16-18 x 2-inch Hex Head Capscrew (#1) and 3/8 ID x 1-1/4 OD Washer (#2).
3. Using a 1/2" Socket or Open End Wrench, tighten the Capscrew.
To prevent possible thread damage, only tighten to a maximum torque of 240 in-lb.



ASSEMBLY (continued)

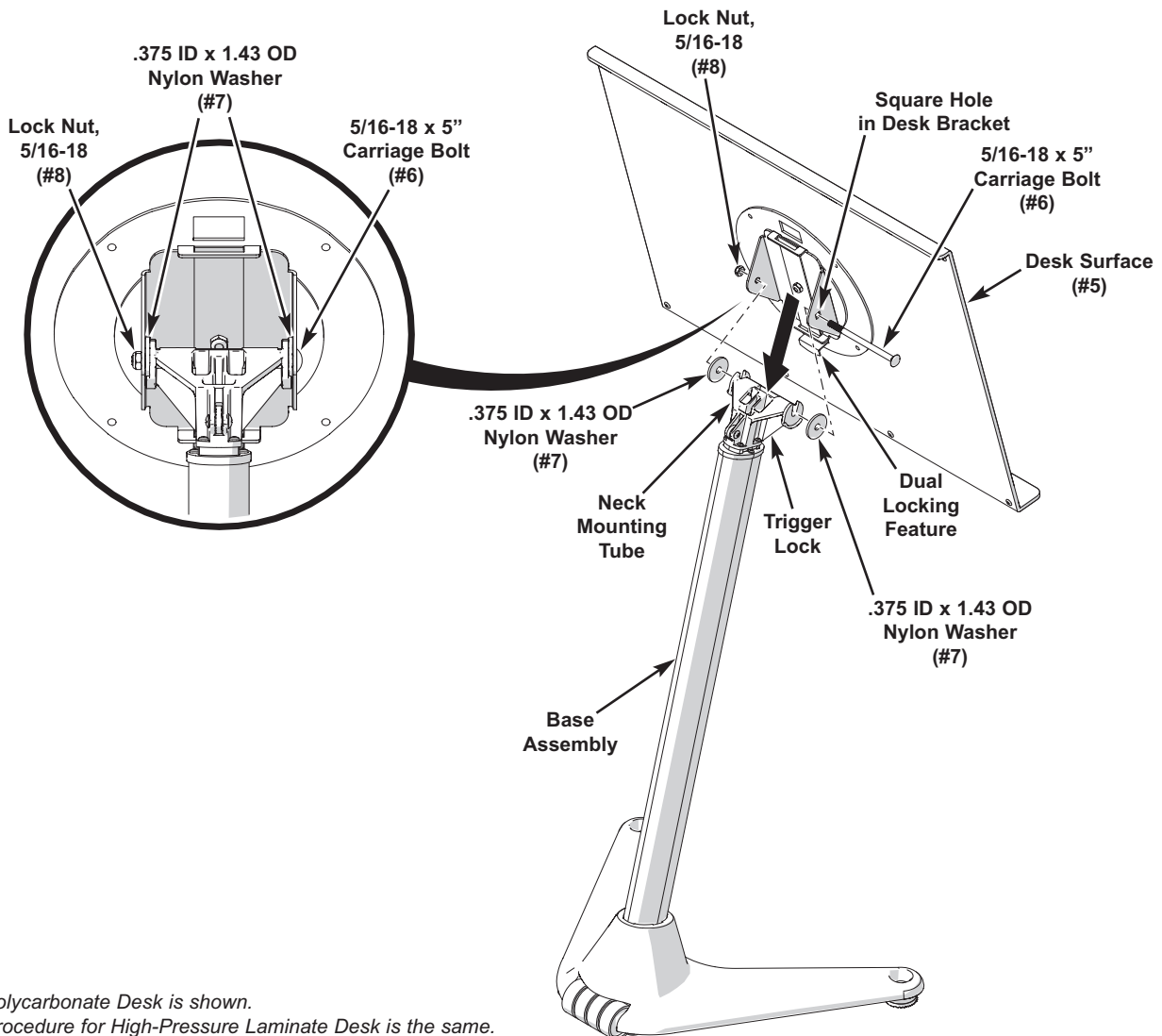
ATTACH DESK

Attach the Desk to the Base Assembly:

1. Position the Desk Surface (#5) over the Neck Mounting Tube at the top of the Base Assembly.

Note: The lever for the Dual Lock Position Feature should be on the same side as the Release Trigger.

2. Slide the 5/16-18 x 5" Carriage Bolt (#6) **through the square side hole** in the Desk Bracket, .375 ID x 1.43 OD Nylon Washer (#7) and through the Neck Mounting Tube.
Another .375 ID x 1.43 OD Nylon Washer (#7) fits between the Neck Mounting Tube and Desk Bracket before pushing the Carriage Bolt through the other side of the Desk Bracket.
3. Secure the Desk to the Base Assembly using a 5/16-18 Lock Nut (#8) on the 5/16-18 x 5" Carriage Bolt as shown.



*Polycarbonate Desk is shown.
Procedure for High-Pressure Laminate Desk is the same.*

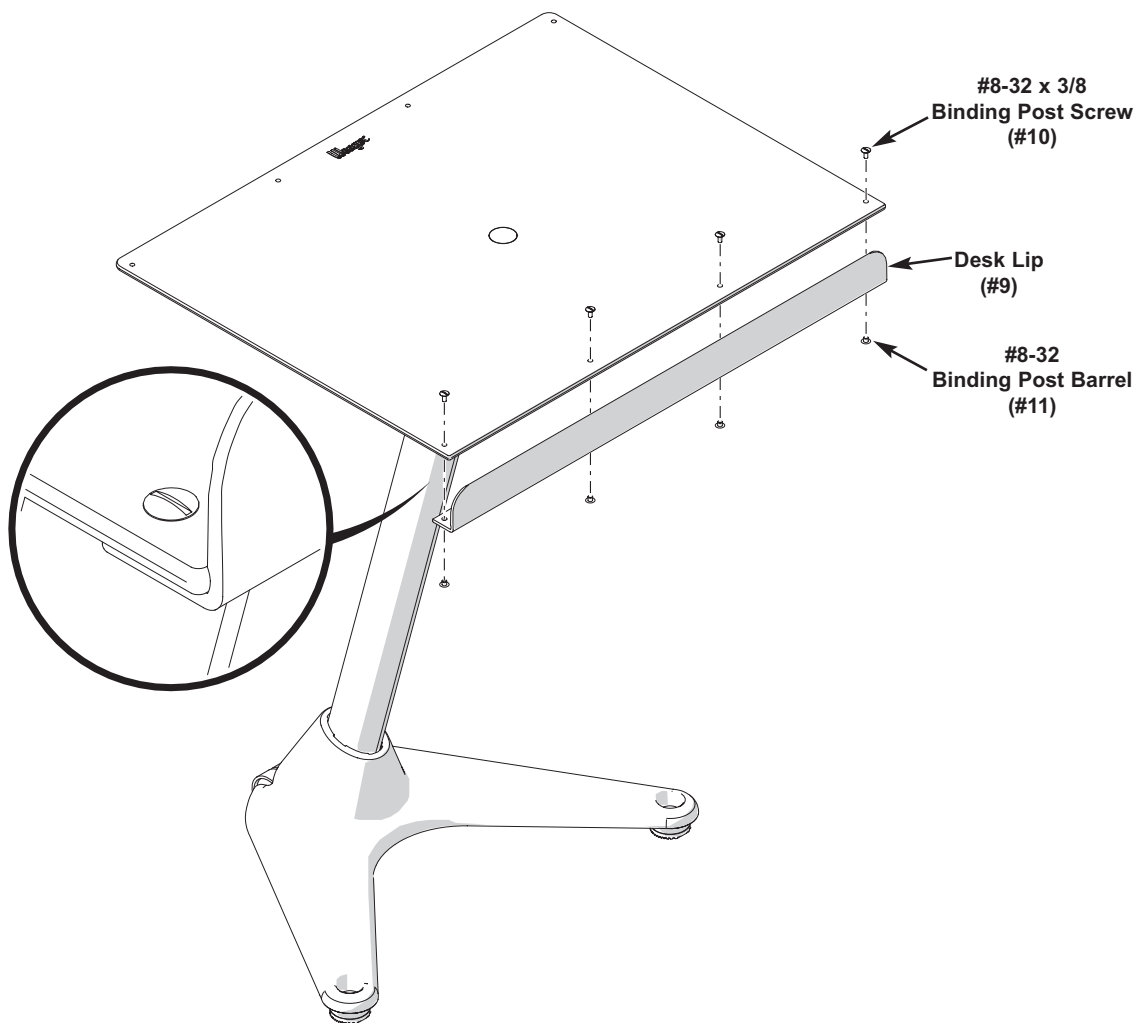
ASSEMBLY (continued)

ATTACH DESK LIP (HIGH-PRESSURE LAMINATE DESK ONLY)

If attaching the Basket Accessory, consult the Assembly Instructions 236C128 before proceeding.

Attach the Desk Lip to the Desk Surface:

1. Fit the Desk Lip (#9) to fit on the underside of the Desk Surface. Align the holes as shown.
2. Attach the Desk Lip to the Desk Surface with four #8-32 x 3/8 Binding Post Screws (#10) and #8-32 Binding Post Barrels (#11).

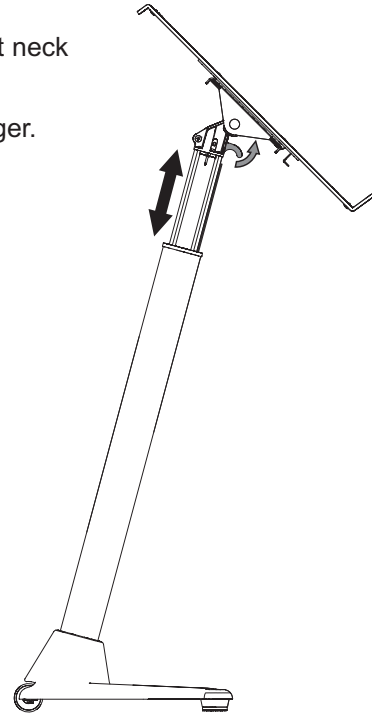


OPERATION

To SET THE DESK HEIGHT:

1. Disengage the Release Trigger mechanism by grasping the support neck under the desk and pulling the trigger while supporting the desk.
2. Raise or lower the desk to the desired position and release the trigger.
3. The desk will lock in the nearest locking position.
Desk height can be set in 2" increments.

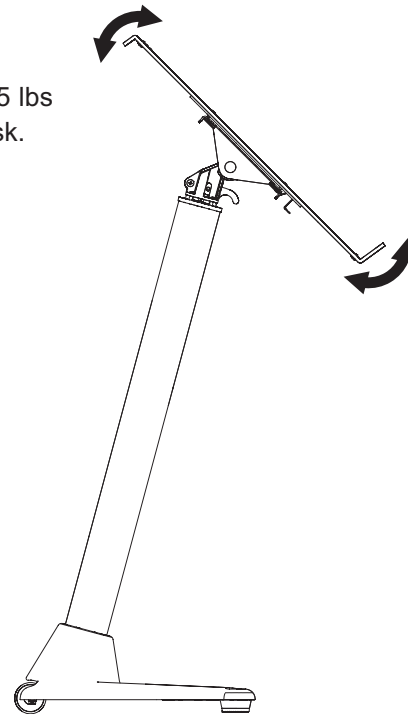
 CAUTION
<i>To prevent the desk from falling while adjusting the height, hold on to the desk when the Release Lever is disengaged.</i>



To TILT THE DESK:

Tilt the desk to the desired angle.

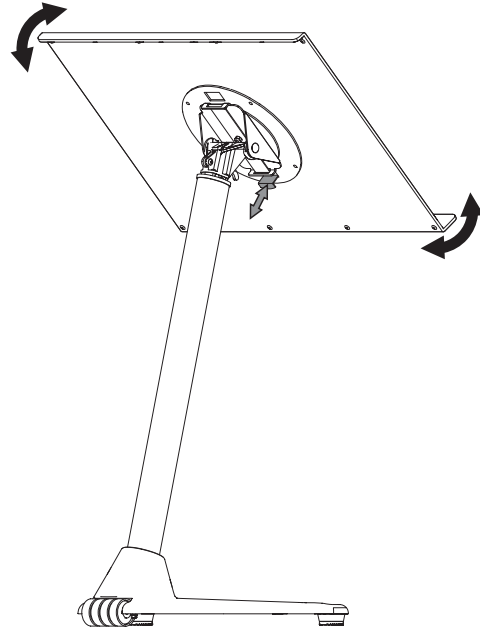
The desk is held in place by friction and should hold approximately 35 lbs at any angle without rotating as a result of the load placed on the desk.



OPERATION

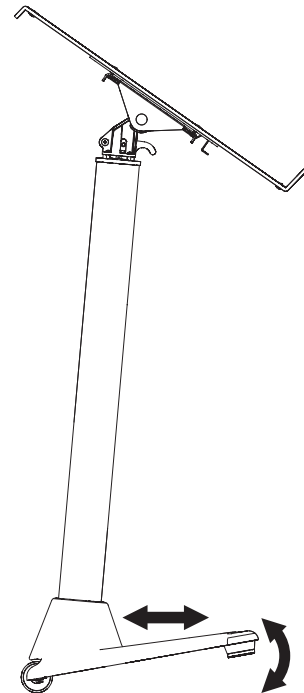
To ROTATE THE DESK:

1. The desk has lock positions at the 0 and 180 degree positions.
2. Press upward on the Locking Lever under the center of the desk and simultaneously rotate the desk. The desk automatically locks when rotated to the 180 or 0 degree position.



To MOVE THE FLEX CONDUCTOR STAND:

1. Tilt the stand towards the wheels at the front of the boomerang shaped cast iron base.
2. Push or pull stand assembly by grasping the upright mast just under the desk.



MAINTENANCE

1. Clean the Flex Conductor's Stand with a mild detergent. Avoid using harsh or abrasive cleaning products.
 2. Never apply oil or any lubricant to the height adjustment tube.
 3. Periodically check fasteners to ensure that they have not loosened during use.
-