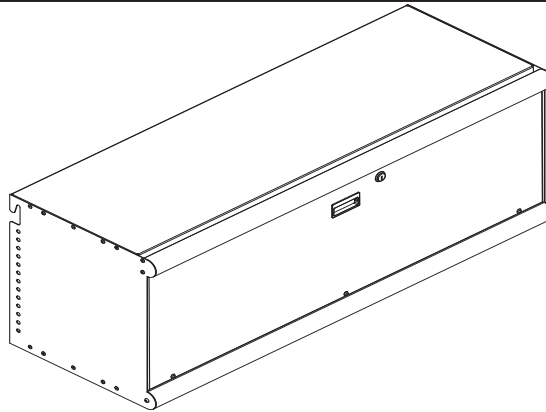




# Installation Manual GearBoss Lock Box Accessory



**Note:** Please read and understand the GearBoss Lock Box Accessory Owner's Manual before attempting installation, assembly, or use.

**Note:** Remove all items from the shipping containers and sort the components by type, size, etc. Refer to the illustrations on the following pages. If you need additional information about your GearBoss Lock Box Accessory, contact the Wenger Corporation using the information listed below.

## SAFETY

Throughout this manual you will find **Cautions** which are defined as follows.

- **Caution;** failure to follow the instruction may result in injury or damage to property.

Read and understand the following instructions before using or installing any GearBoss Accessory.

## WARRANTY

The GearBoss Lock Box Accessory is guaranteed free of defects in materials and workmanship for five full years.

Our guarantee assures you of either a full refund or repair or replacement of the defective materials or workmanship without charge, at the discretion of our Customer Service Department. Just call a Customer Service Representative at 1-800-887-7145 and state the reason you are dissatisfied. If a product return is necessary, your representative will issue a return authorization. This is your sole remedy for breach of this warranty.

Should you have a question or problem with any Wenger product, don't hesitate to call, even if the product is past warranty. It's important to us that all our customers be satisfied.

This is the sole warranty made by Wenger. Wenger disclaims all other warranties, including the warranties of merchantability and fitness for a particular purpose, as well as all liability for incidental, consequential, special, and indirect damage. Wenger liability for direct damages shall be limited to the amount you paid for the product involved. Wenger reserves the right to make product changes without obligation to incorporate such changes into products previously sold.

Some states do not allow the exclusion or limitation of damages or warranties, so the above may not apply to you. This warranty gives you specific legal rights. You may also have other rights which vary from state to state.

# LOCK BOX INSTALLATION

## BEFORE YOU BEGIN

Read the complete assembly procedure before you start to install the GearBoss Lock Box.

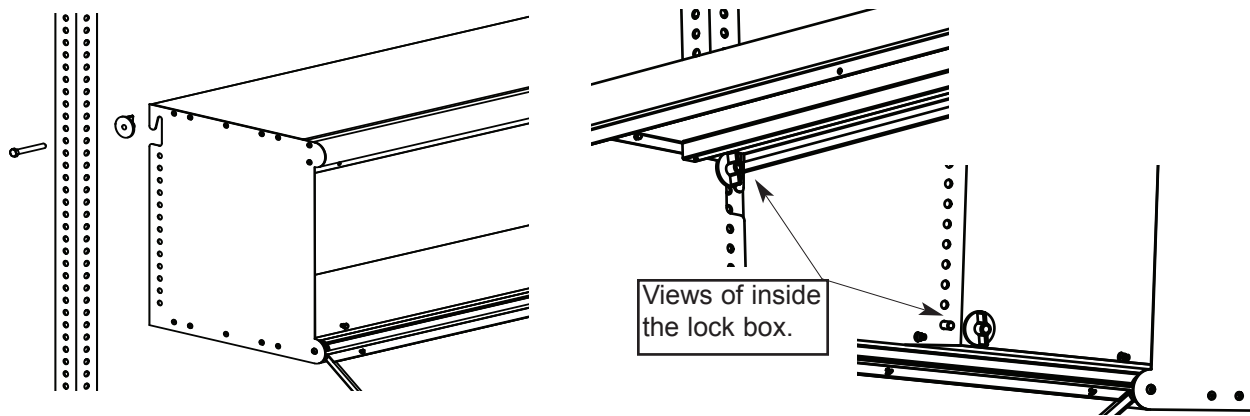
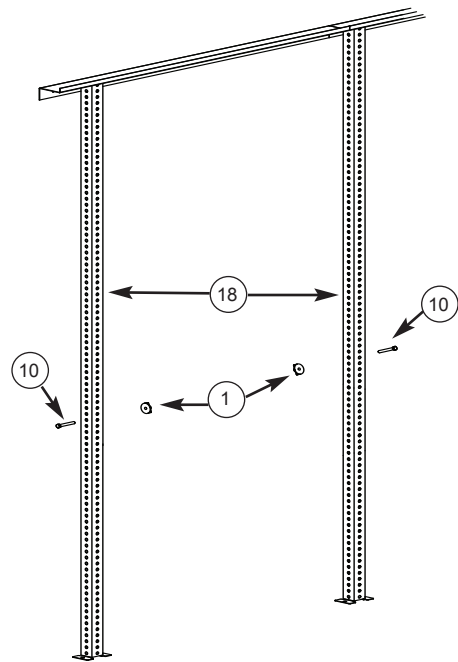
Two people are recommended for the installation of the GearBoss Lock Box.

**⚠ CAUTION**

*Maximum Load Capacity Rating  
for Lock Box is 100 lbs (45 kg).*

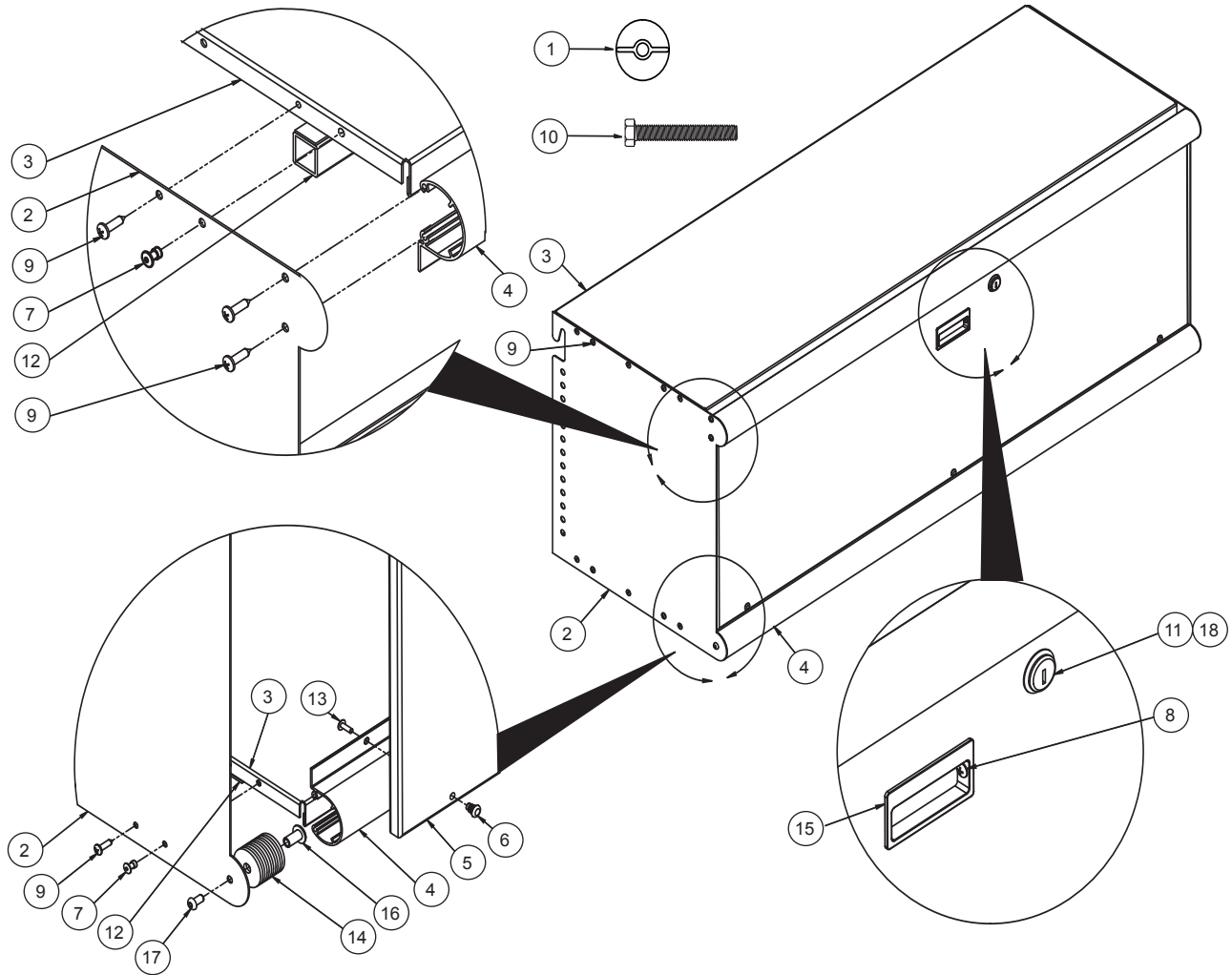
### Installing the GearBoss Lock Box

1. Determine the location in which you would like the lock box located on the GearBoss shelving.
2. Insert the capscrew (item 10) through the upright tube (item 18) at the desired location on the GearBoss Shelving.  
Note: Be sure the head of the capscrew (item 10) is to the outside of the upright tube (item 18).
3. Secure capscrew (item 10) with the plastic wing nut (item 1) leaving approximately 1/4" of threads between the upright tube (item 18) and the plastic wing nut (item 1).
4. Complete steps 1-3 on adjacent upright tube (item 18)  
Make sure the location of the second capscrew (item 10) is even with the first to ensure the lock box will be level.
5. Position the lock box to hook onto the capscrew (item 10) between the upright tube (item 18) and the plastic wing nut (item 1).
6. Open the door of the lock box
7. Secure the lock box in place by tightening the plastic wing nuts that are now on the inside of the lock box.
8. To secure the bottom of the lock box, insert the capscrew (item 10) through the upright tube (item 18) and bottom hole of the lock box. Again, make sure the head of the capscrew (item 10) is to the outside of the lock box.
9. Using the plastic wing nut (item 1) on the inside of the lock box, secure the bottom in place.



# REPLACEMENT PARTS LIST

## LOCK BOX ACCESSORY



Item	Qty	Description
1	4	Plastic Wing Nut
2	2	Lock Box Side Plate
3	2	Lock Box Pan
4	2	Lock Box Extrusion
5	1	Lock Box Door Panel
6	3	Insert Nut, #8-32
7	12	Blind Rivets, 3/16
8	2	Screw, 8-18 x 3/8
9	12	Screw, #10-16 x 3/4

Item	Qty	Description
10	4	Capscrew, 3/8-16 x 2 3/4
11	1	Lock
12	4	Tube
13	3	Machine Screw, #8-32 x 1/2
14	12	Washer
15	1	Flush Mount Plastic Handle
16	2	Hex Socket Cap Nut, 1/4-20
17	2	Machine Screw, 1/4-20 x 5/8
18	1	Cam, Off-Set, Lock

This page is intentionally blank.