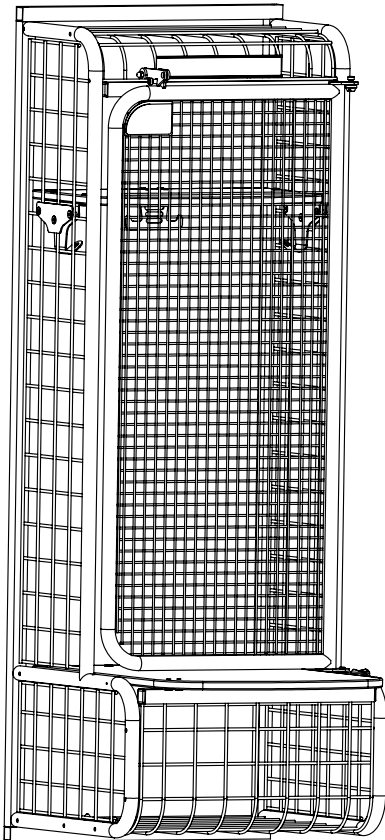


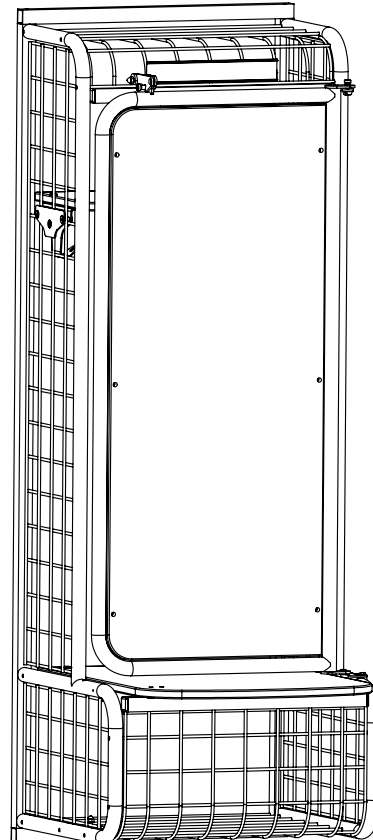


GEARBOSS[®]
by Wenger[®]

Assembly/Owner's Manual
GearBoss[®] AirPro[™]
Locker Door Accessory



Grille Door



Wood Door

CONTENTS

Important User Information	2	Door Installation	4
General	2	Grille Door Assembly	4
Manufacturer	2	Wood Door Assembly	7
Intended Use	2		
Warranty	2		
Required Tools	3		
Parts List	3		

Note: Please read and understand these instructions before attempting assembly, installation or use.

Note: Remove all items from the shipping cartons and arrange them in a convenient location. Refer to the illustrations on the following pages.
If you need additional information, contact Wenger Corporation using the information below.

IMPORTANT USER INFORMATION

GENERAL

Copyright © 2013 by Wenger Corporation

All rights reserved. No part of the contents of this manual may be reproduced, copied, or transmitted in any form or by any means including graphic, electronic, or mechanical methods or photocopying, recording, or information storage and retrieval systems without the written permission of the publisher, unless it is for the purchaser's personal use.

Printed and bound in the United States of America.

The information in this manual is subject to change without notice and does not represent a commitment on the part of Wenger Corporation. Wenger Corporation does not assume any responsibility for any errors that may appear in this manual.

In no event will Wenger Corporation be liable for technical or editorial omissions made herein, nor for direct, indirect, special, incidental, or consequential damages resulting from the use or defect of this manual.

The information in this document is not intended to cover all possible conditions and situations that might occur. The end user must exercise caution and common sense when assembling or installing Wenger Corporation products. If any questions or problems arise, call Wenger Corporation at 1-800-887-7145.

MANUFACTURER

The GearBoss® AirPro™ Locker Door Accessory is manufactured by:

Wenger Corporation
555 Park Drive
Owatonna, MN 55060
1-800-4WENGER (493-6437) • 1-507-455-4100
www.wengercorp.com

INTENDED USE

- This product is intended for indoor use in normal ambient temperature and humidity conditions — it must not be exposed to prolonged outside weather conditions.
- This product is designed to be installed on the GearBoss AirPro Locker.

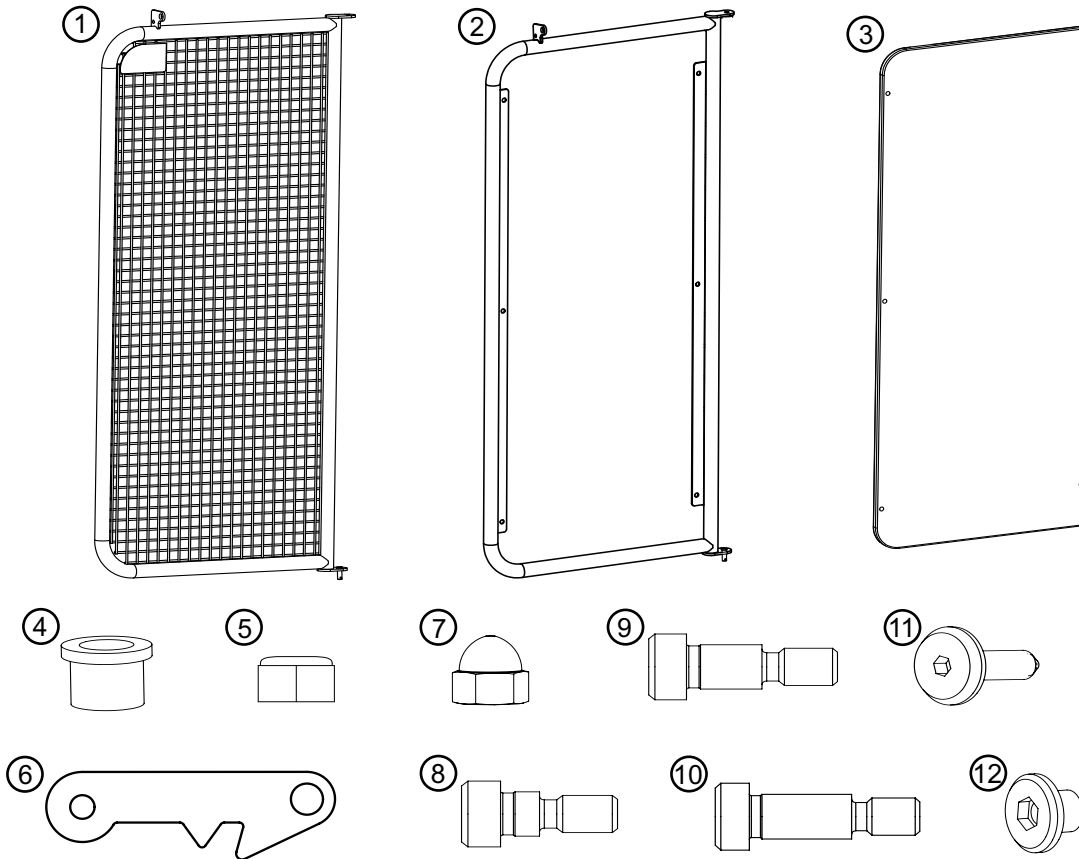
WARRANTY

This product is guaranteed free of defects in materials and workmanship for ten full years from date of shipment. A full warranty statement is available upon request.

REQUIRED TOOLS

- 4 mm Hex Wrench
- 1/4" Hex Wrench
- 3/16" Hex Wrench
- 1/2" Combination Wrench
- Mallet

PARTS LIST



<u>Item</u>	<u>Qty</u>	<u>Description</u>	<u>Item</u>	<u>Qty</u>	<u>Description</u>
1	1	GRILLE DOOR	7	2	CAP HEX NUT, 5/16-18
2	1	WOOD DOOR FRAME	8	1	SHOULDER BOLT, 5/16-18 X 1/4"
3	1	WOOD DOOR PANEL	9	1	SHOULDER BOLT, 5/16-18 X 1/2"
4	1	FLANGE BEARING, 1/2 OD X 3/8 ID	10	1	SHOULDER BOLT, 5/16-18 X 3/4"
5	1	LOCK NUT, 5/16-18	11	6	MACHINE SCREW, 1/4-20 X .708
6	1	DOOR LOCK PIVOT PLATE	12	6	SOCKET HEX CAP NUT, 1/4-20

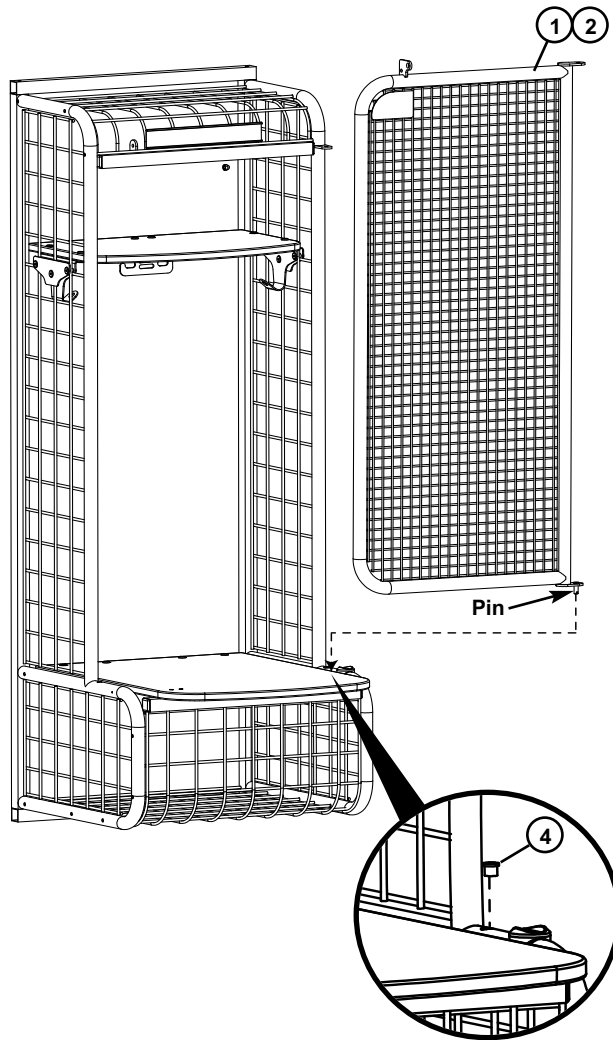
DOOR INSTALLATION

GRILLE DOOR ASSEMBLY

1. Insert the Flange Bearing, 1/2 OD x 3/8 ID (#4) into the pre-drilled hole on the bottom of the Locker Frame.

Note: The Locker Door will always be mounted on the right side of the locker.

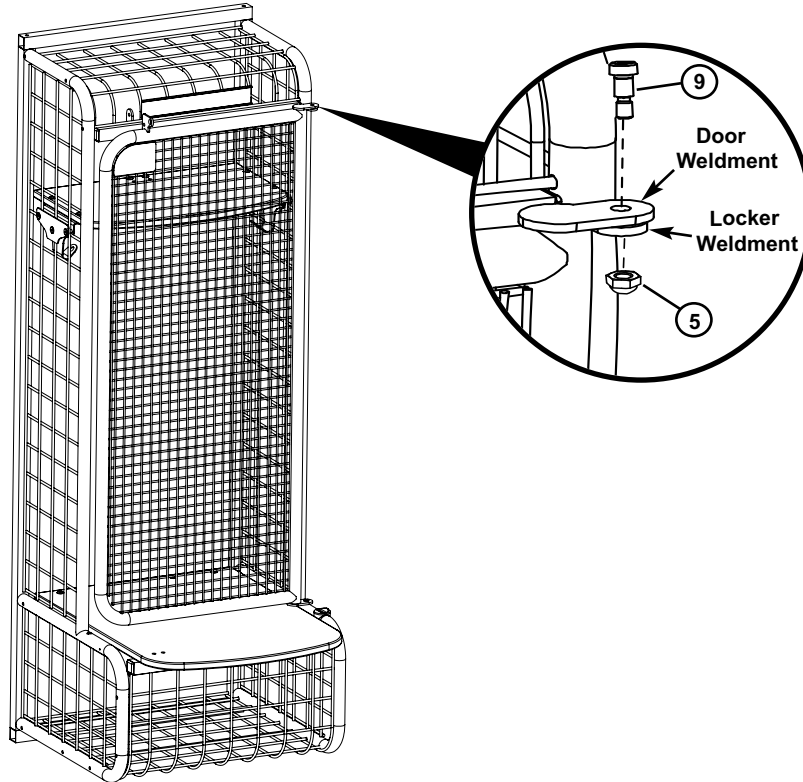
2. Position the Grille Door (#1) onto the Locker inserting the pin, located at the bottom of the Door Frame, into the Flange Bearing (#4).



DOOR INSTALLATION (CONTINUED)

GRILLE DOOR ASSEMBLY (CONTINUED)

3. At the top of the Locker, align the Door Weldment with the Locker Weldment.
4. Insert Shoulder Bolt, 5/16-18 x 1/2" (#9) through the top of the aligned weldment holes.
5. Secure the Shoulder Bolt (#9) using Lock Nut, 5/16-18 (#5).
Tighten the Shoulder Bolt.



DOOR INSTALLATION (CONTINUED)

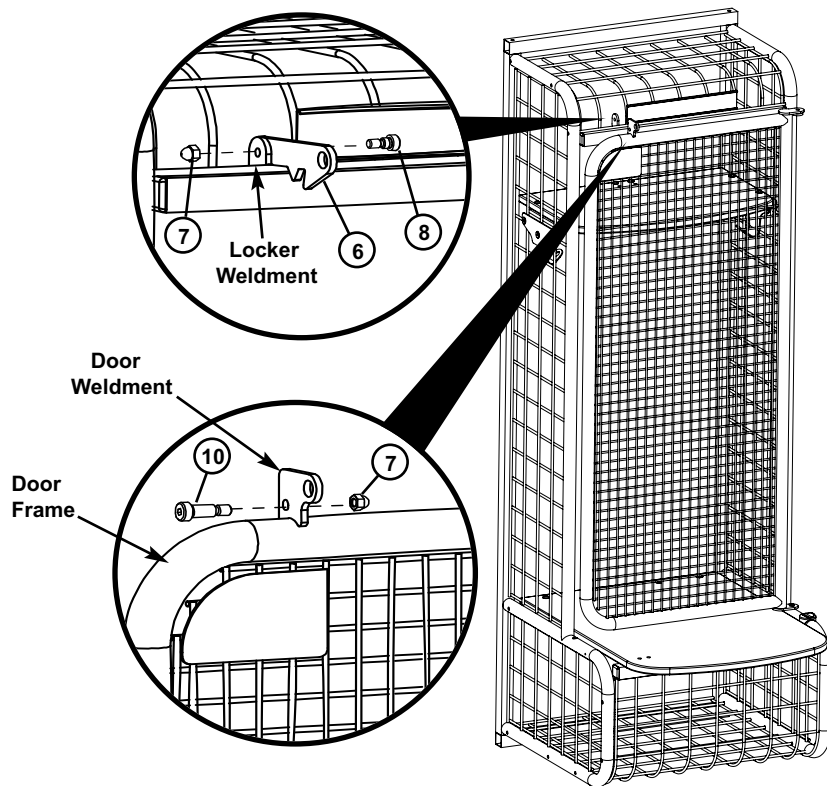
GRILLE DOOR ASSEMBLY (CONTINUED)

6. At the top of the Locker, align the smaller hole (furthest from the cutout) on the Door Lock Pivot Plate (#6) with the Locker Weldment hole.

Note: Make sure the Door Lock Pivot Plate is located on the right side of the Locker Weldment.

7. Insert Shoulder Bolt, 5/16-18 x 1/4" (#8) through the Door Lock Pivot Plate (#6) and Locker Weldment aligned holes.
8. Secure the Shoulder Bolt (#8) using Cap Hex Nut, 5/16-18 (#7). Tighten the Shoulder Bolt.
9. At the top of the Door Frame insert Shoulder Bolt, 5/16-18 x 3/4" (#110) through the smaller hole Door Weldment closest to the Frame.
10. Secure the Shoulder Bolt (#9) using Cap Hex Nut, 5/16-18 (#7). Tighten the Shoulder Bolt.

Note: Shoulder Bolt head must be to the left side of the locker with the Cap Hex Nut on the right side.



DOOR INSTALLATION (CONTINUED)

WOOD DOOR ASSEMBLY

1. Complete Steps 1-10 to assemble the Wood Door Frame (#2) to the Locker.
2. Open the door to allow access to the inside of the door.
3. Hold the Wood Door Panel (#3) against the Door Frame (#2).
4. Insert the six Socket Hex Cap Nuts, 1/4-20 (#12) through the Door Frame Plate and into the Wood Door Panel.
5. Secure the Wood Door Panel to the Door Frame using six Machine Screws, 1/4-20 x .708 (#11).

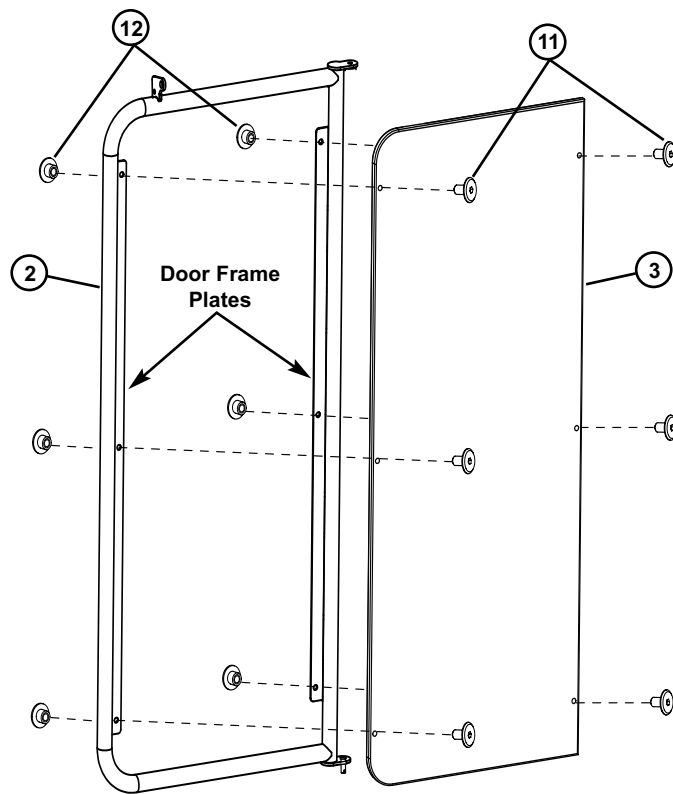


Illustration shown off of Locker for clarity.

This page is intentionally blank.