

GearBoss[®] Sports Storage System

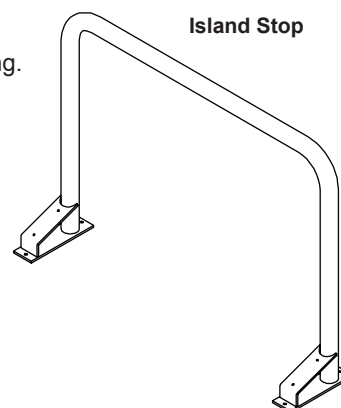
GearBoss is an equipment storage and transportation solution designed to transform your equipment room into a point of pride. GearBoss is a high-density storage solution that uses an innovative system of tracks and rolling carts and accessories to reduce the square footage of your storage area by at least half. GearBoss units are designed to encourage airflow and improve sanitation and odor issues. The modular system features accessories specific for the needs of bulky equipment like helmets and shoulder pads. Accessories like panels and doors can be added for security, and in matching school colors they present an unmistakable message of program pride. All accessories have a five-year warranty.

Intended Use

- The GearBoss system is intended for indoor use in normal ambient temperature and humidity conditions - the system or it's components must not be exposed to prolonged outside weather conditions.
- GearBoss Accessories are intended to be used by the customer to accessorize their High Density Sports Storage System Carts.

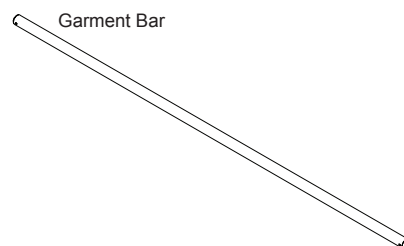
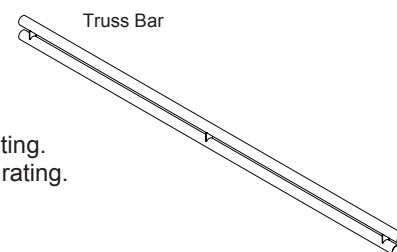
Island Stop

- Designed to be permanently installed as an end stop for the GearBoss Carts.
- Welded frame constructed of durable 2" (51 mm) diameter x 16 gauge steel tubing.
- Black powder-coat paint finish.
- Dimensions are 9-5/8" wide x 42-3/4" long x 30-1/2" tall (245 x 1086 x 775 mm).
- Approximate weight: 24 lbs (10.9 kg).
- Shipped fully assembled.
- 240A062.



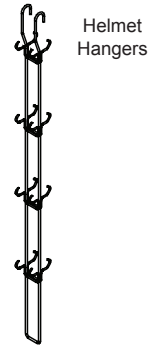
Truss Bar/Garment Bar

- Designed to be installed into the GearBoss X-Carts or Team Carts using two accessory hanger brackets.
- The Truss Bar is designed to be used with shoulder pad hangers, helmet hangers. The double-bar construction reduces the swinging motion of hanging equipment.
- The Garment Bar is designed to be used with standard garment hangers and support up to 200 jerseys.
- Black powder-coat paint finish.
- Shipped ready to be installed, no tools required.
- 240A028, Truss Bar, 1-1/2" x 4" x 75-3/4" long (38 x 102 x 1924 mm). 200 lbs (90.7 kg) load rating.
- 240A047, Garment Bar, 1-1/2" diameter x 75-3/4" long (38 x 1924 mm). 100 lbs (45.4 kg) load rating.



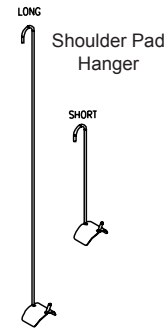
Helmet Hangers

- Designed to be used with the Truss Bar, 7 helmet hangers per Truss Bar.
- Accommodates 8 helmets.
- Welded construction using 5/16" and 1/4" (8 and 6 mm) steel wires.
- Powder paint coat finish, black.
- Approximate Weight: 5 lbs (2.3 kg).
- 240A056.



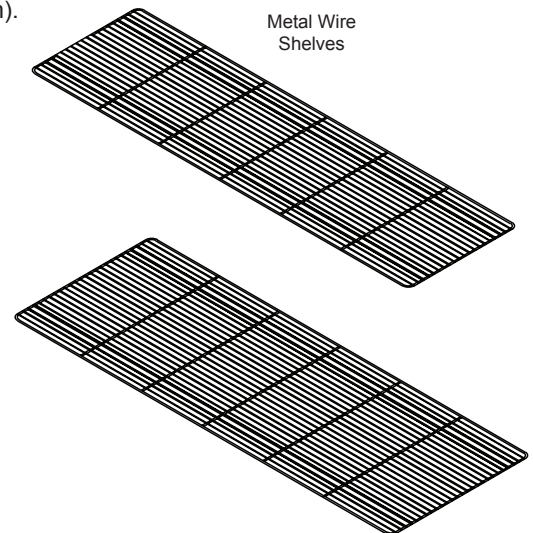
Shoulder Pad Hangers

- Designed in short and long versions.
- Designed to be used with the Truss Bar, 15 shoulder pad hangers of each size per Truss Bar.
- Welded construction using 5/16" (8 mm) wire and 12 gauge formed plate.
- Black powder-coat paint finish.
- 240A069, Shoulder Pad Hanger, short. Approximate weight, 1 lbs (0.5 kg).
- 240A070, Shoulder Pad Hanger, long. Approximate weight, 2 lbs (0.9 kg).



Metal Wire Shelves

- Designed to be installed into the GearBoss X-Carts or Team Carts using four accessory hanger brackets per shelf.
- Resistant welded construction of 3/16" and 5/16" (0.19 and 0.31) metal wires.
- Shipped ready to be installed, no tools required.
- The 24" (610 mm) wide shelf allows for shelving half of a 48" (1219 mm) cart or all of the cart with two shelves.
- 240A059, Wire Shelf 24" (610 mm), dimensions 21-5/8" x 74-7/8" (549 x 1902 mm). Approximate weight, 35 lbs (15.9 kg).
- 240A060, Wire Shelf, 32" (813 mm), dimensions 27-5/8" x 74-7/8" (702 x 1902 mm). Approximate weight, 40 lbs (18.1 kg).
- Rated for 150 lbs (68 kg) evenly distributed.



Wenger

JRCLANCY

GEARBOSS

© 2017 Wenger Corporation
USA/2017-12/W



WENGER CORPORATION

Phone 800.4WENGER (493-6437) Worldwide +1.507.455.4100 | Fax 507.455.4258 Worldwide +1.507.774.8576
Parts & Service 800.887.7145 | Canada Office 800.268.0148 | Web wengercorp.com | 555 Park Drive, PO Box 448 | Owatonna | MN 55060-0448

JR CLANCY

Phone 800.836.1885 Worldwide +1.315.451.3440 | Fax 877.836.1885 Worldwide +1.315.451.1766 | Web jrclancy.com
7041 Interstate Island Road | Syracuse | NY 13209-9713

GEARBOSS

Phone 800.493.6437 | email gearboss@wengercorp.com | Web gearboss.com | 555 Park Drive, PO Box 448 | Owatonna | MN 55060-0448