

CONTENTS

| | |
|------------------------------|-----|
| WARRANTY | 2 |
| USER INFORMATION | 2 |
| SAFETY | 3 |
| PART LIST | 3 |
| OPERATION | 4-5 |
| REPLACEMENT PARTS LIST | 6 |

Note: Please read and understand the Adjustable Track Lock Operating Instructions before assembling the parts.

Note: Remove all items from the shipping cartons and arrange them in their approximate final position. Refer to the illustrations on the following pages. If you need additional information about your Adjustable Track Lock, write or telephone Wenger Corporation at the number below.

WARRANTY

The Adjustable Track Lock is guaranteed free of defects in materials and workmanship for five full years.

Our guarantee assures you of either a full refund or repair or replacement of the defective materials or workmanship without charge, at the discretion of our Customer Service Department.

Just call a Customer Service Representative at 1-800-887-7145 and state the reason you are dissatisfied. If a product return is necessary, your representative will issue a return authorization. This is your sole remedy for breach of this warranty.

Should you have a question or problem with any Wenger product, don't hesitate to call, even if the product is past warranty. It's important to us that all our customers be satisfied.

This is the sole warranty made by Wenger. Wenger disclaims all other warranties, including the warranties of merchantability and fitness for a particular purpose, as well as all liability for incidental, consequential, special, and indirect damage. Wenger liability for direct damages shall be limited to the amount you paid for the product involved. Wenger reserves the right to make product changes without obligation to incorporate such changes into products previously sold.

Some states do not allow the exclusion or limitation of damages or warranties, so the above may not apply to you. This warranty gives you specific legal rights. You may also have other rights which vary from state to state.

IMPORTANT USER INFORMATION

GENERAL

Copyright® 2007 by Wenger Corporation

All rights reserved. No part of the contents of this manual may be reproduced, copied, or transmitted in any form or by any means including graphic, electronic, or mechanical methods or photocopying, recording, or information storage and retrieval systems without the written permission of the publisher, unless it is for the purchaser's personal use.

Printed and bound in the United States of America.

The information in this manual is subject to change without notice and does not represent a commitment on the part of Wenger Corporation. Wenger Corporation does not assume any responsibility for any errors that may appear in this manual.

In no event will Wenger Corporation be liable for technical or editorial omissions made herein, nor for direct, indirect, special, incidental, or consequential damages resulting from the use or defect of this manual.

The information in this document is not intended to cover all possible conditions and situations that might occur. The end user must exercise caution and common sense when assembling or installing Wenger Corporation products. If any questions or problems arise, call Wenger Corporation at 1-800-733-0393.

MANUFACTURER

The Adjustable Track Lock is manufactured by:

Wenger Corporation
555 Park Drive
Owatonna, MN 55060
1-507-455-4100 • 1-800-733-0393
www.wengercorp.com

INTENDED USE

- This product is intended for indoor use in normal ambient temperature and humidity conditions.
- This product is intended to be used only as described in these instructions.

SAFETY PRECAUTIONS

CAUTION
A Dangerous Pinch Point develops between track lock and cart.

BEFORE YOU BEGIN

Before installing the Adjustable Track Lock, do the following:

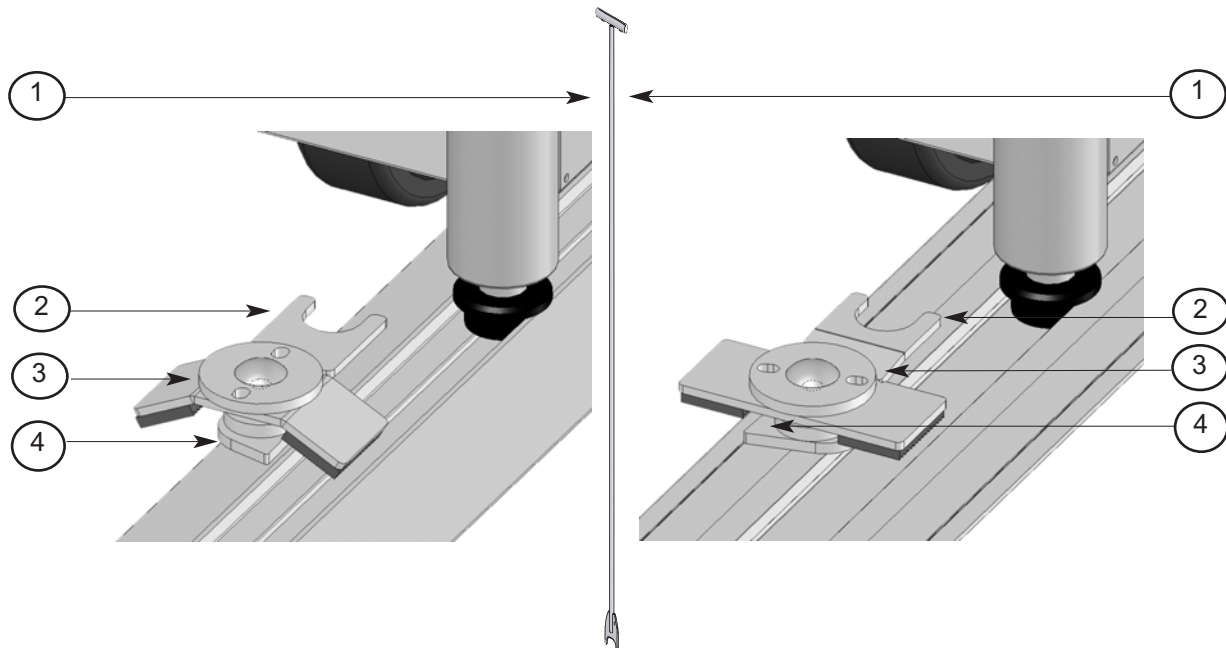
1. Read and understand the installation/operating instructions.
2. Remove all items from the shipping carton and arrange the parts similar to the diagram below.
3. Make sure that all parts are present. Item numbers refer to the Part List.

PART LIST STANDARD

| Item | Qty. | Description |
|------|------|------------------------------|
| 1 | 1 | Track Lock Handle |
| 2 | 2 | Track Lock Bracket, Standard |
| 3 | 2 | Track Lock Pivot |
| 4 | 2 | Track Lock Toggle |

PART LIST FLUSH MOUNT

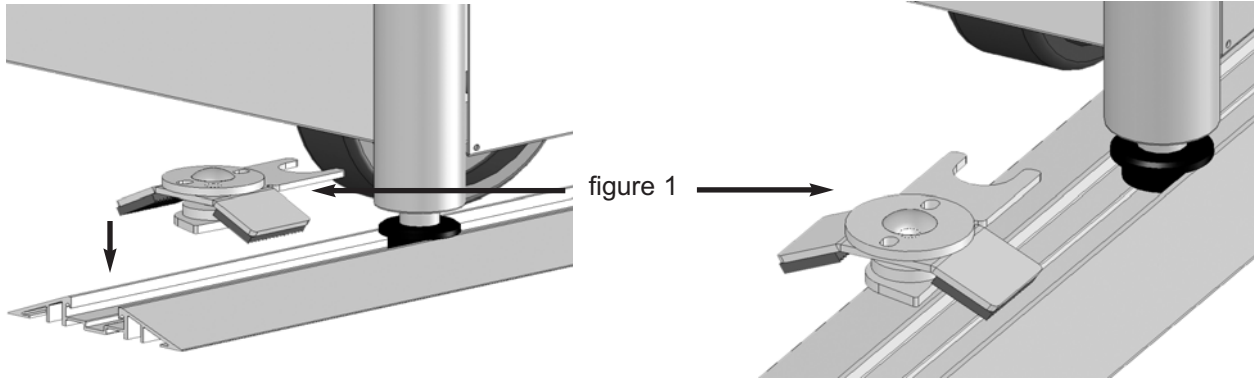
| Item | Qty. | Description |
|------|------|---------------------------|
| 1 | 1 | Track Lock Handle |
| 2 | 2 | Track Lock Bracket, Flush |
| 3 | 2 | Track Lock Pivot |
| 4 | 2 | Track Lock Toggle |



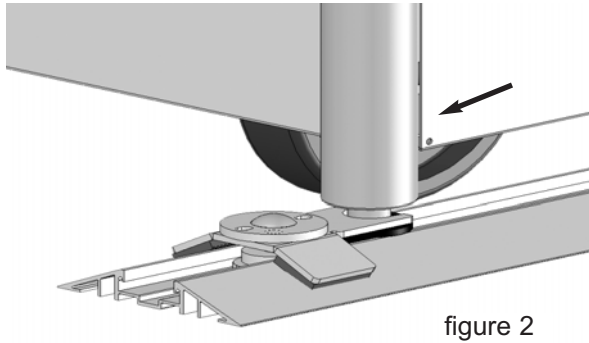
Note: The Track and Cart are not included.

INSTALLATION / OPERATION STANDARD TRACK LOCK

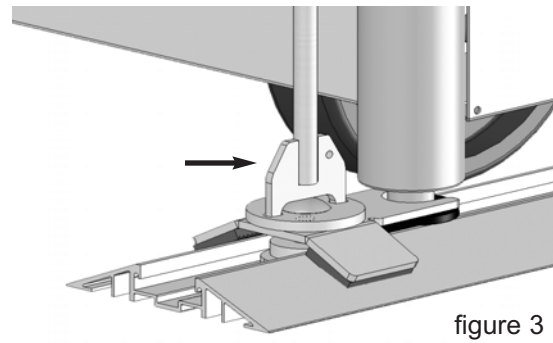
1. Place the Track Lock assembly into the channel of the track (figure 1).



2. Position lock in desired location in the track (figure 2).

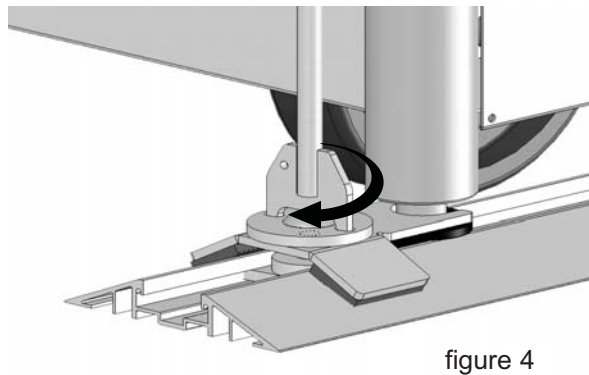


3. Insert the Track Lock handle into the track pivot (figure 3).



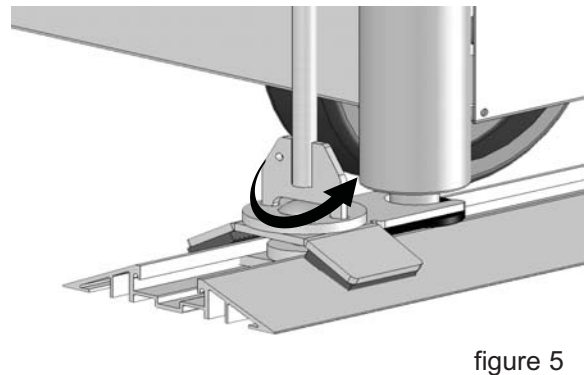
4. Turn the Track Lock handle clockwise until the Track Lock assembly is tight and secure in place (figure 4).

Note: When turning the Track Lock pivot, make sure that the Track Lock toggle rotates into the lock position and that the flanges are positioned under the channel in the track prior to tightening.



5. To un-lock the Track Lock, insert the Track Lock handle into the Track Lock pivot and turn counter clockwise until the assembly is loose and can be removed from the track.

Note: It is not necessary to separate the Track Lock toggle from the Track Lock pivot.



INSTALLATION / OPERATION FLUSH TRACK LOCK

1. Place the Track Lock assembly into the channel of the track (figure 6).

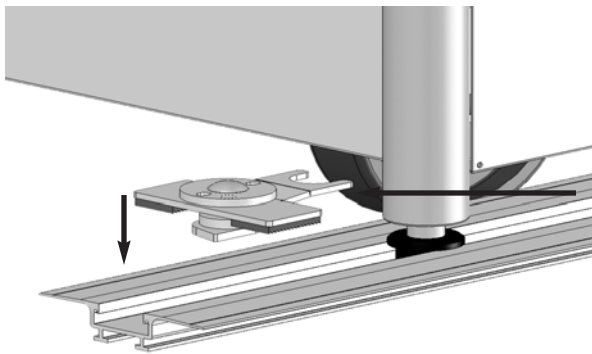
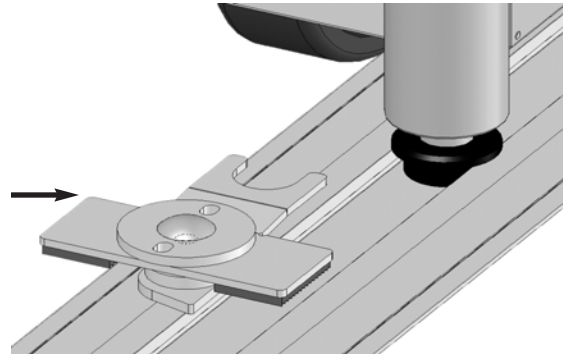


figure 6



2. Position lock in desired location in the track (figure 7).

3. Insert the Track Lock handle into the track pivot (figure 8).

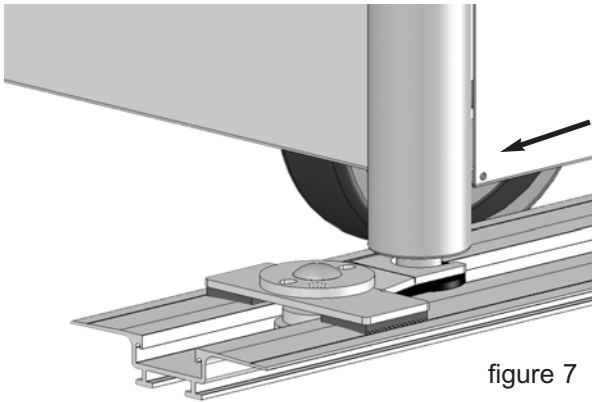


figure 7

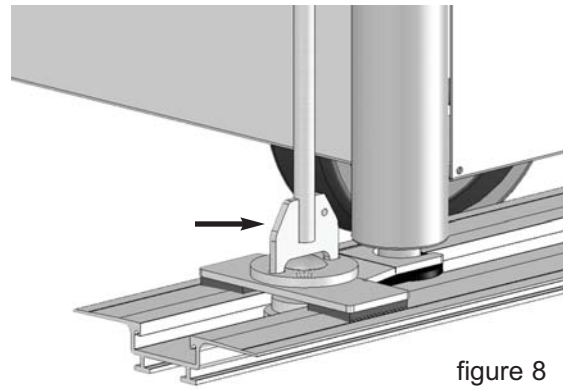


figure 8

4. Turn the Track Lock handle clockwise until the Track Lock assembly is tight and secure in place (figure 9).

5. To un-lock the Track Lock, insert the Track Lock handle into the Track Lock pivot and turn counter clockwise until the assembly is loose and can be removed from the track (figure 10).

Note: When turning the Track Lock pivot, make sure that the Track Lock toggle rotates into the lock position and that the flanges are positioned under the channel in the track prior to tightening.

Note: It is not necessary to separate the Track Lock toggle from the Track Lock pivot.

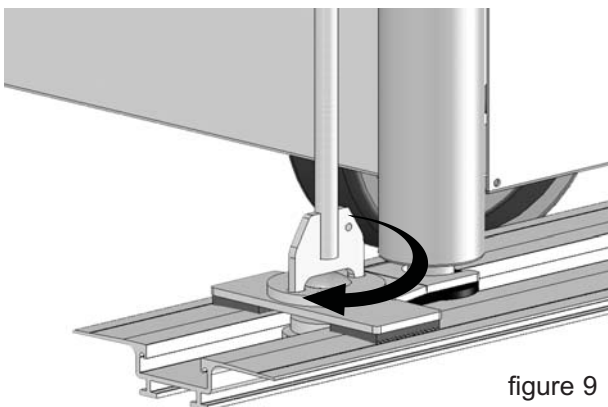


figure 9

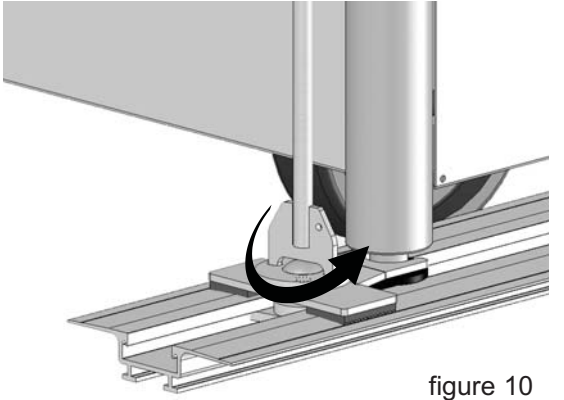


figure 10

TRACK LOCK REPLACEMENT PARTS

STANDARD

FLUSH MOUNT

| Item | Qty. | Description |
|------|------|-------------------------------|
| 1 | 1 | Track Lock Handle |
| 2 | 2 | Track Lock Pivot |
| 3 | 2 | Track Lock, Bracket, Standard |
| 4 | 2 | Track Lock Toggle |

| Item | Qty. | Description |
|------|------|----------------------------|
| 1 | 1 | Track Lock Handle |
| 2 | 2 | Track Lock Pivot |
| 3 | 2 | Track Lock, Bracket, Flush |
| 4 | 2 | Track Lock Toggle |

