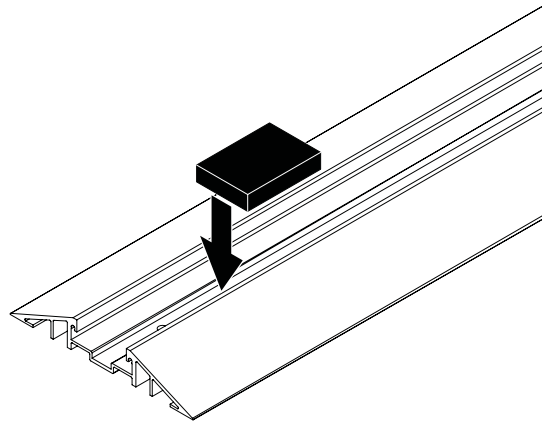
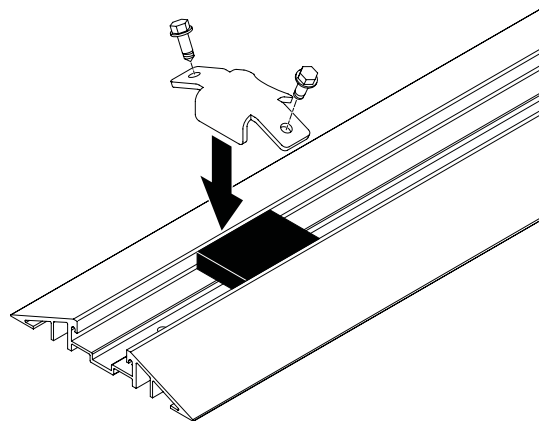


Installation Instructions Adjustable Track Stop Bracket

1. Place the black bumper into the channel of the extrusion at the desired stop point for the cart.



2. Place the bracket into position so that the tab captures the end of the black bumper as shown in the illustration.



3. Secure the bracket to the track with the two screws supplied, making sure the bracket is tight against the track.

