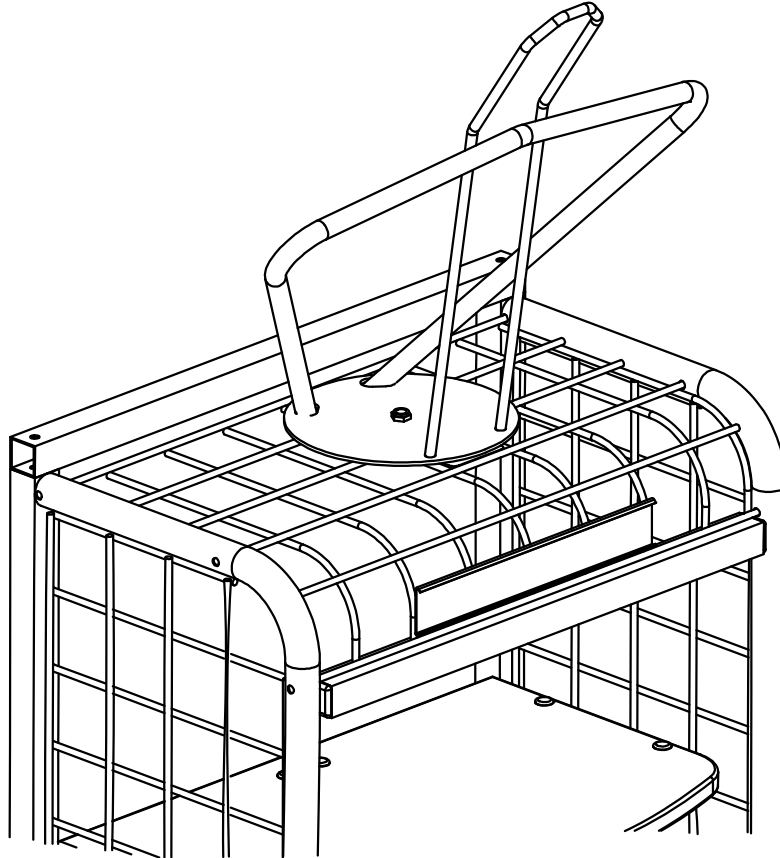




GEARBOSS[®]
by Wenger[®]

Assembly/Owner's Manual
GearBoss[®] AirPro[™] Locker
Non-Powered Pad Dryer
Accessory

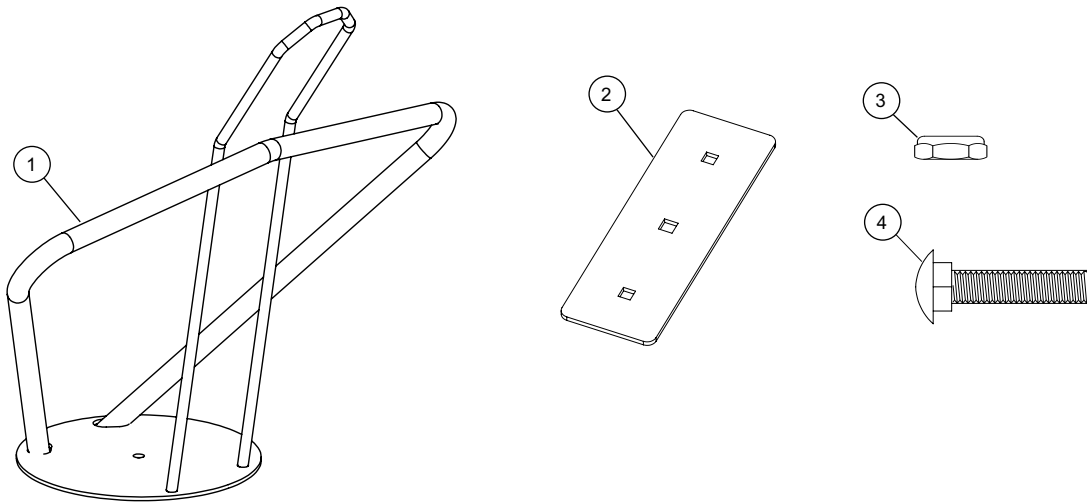


- Note:** Please read and understand these instructions before attempting installation, assembly or use.
- Note:** Remove all items from the shipping cartons and arrange them in a convenient location. Refer to the illustrations on the following pages.
If you need additional information, contact Wenger Corporation using the information below.
- Note:** Installation requires two or more people.

REQUIRED TOOLS

- 9/16" Combination Wrench

PARTS LIST



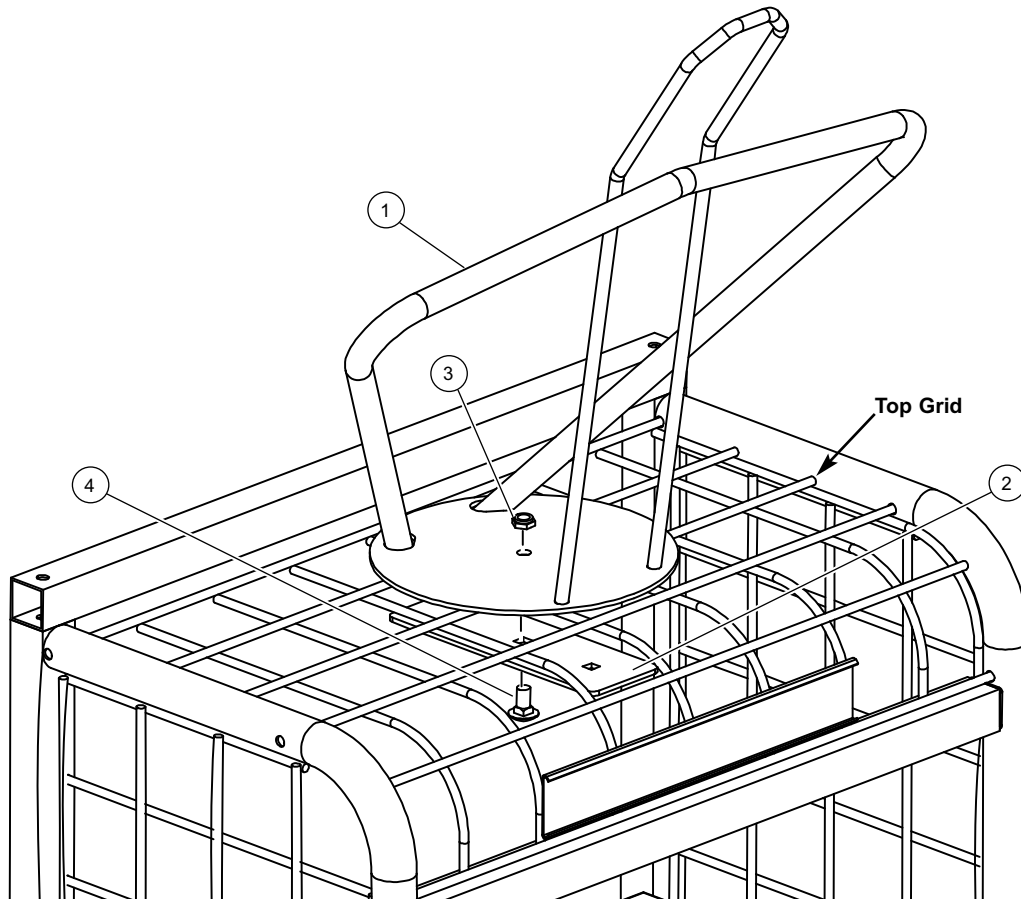
<u>Item</u>	<u>Qty</u>	<u>Description</u>
1	1	NON-POWERED PAD DRYER
2	1	PAD DRYER PLATE
3	1	JAM LOCK NUT, 3/8-16
4	1	CARRIAGE BOLT, 3/8-16 X 1"

NON-POWERED PAD DRYER INSTALLATION

1. Position the AirPro Locker Non-Powered Pad Dryer (#1) on top of the locker.

Note: The Pad Dryer will not be centered on the locker.

2. Align the center hole of the Pad Dryer Plate (#2) with the hole in the bottom of the Pad Dryer (#1). The Pad Dryer Plate is to be located on the inside of the Locker at the Top Grid.
3. Insert the Carriage Bolt, 3/8-16 x 1" (#4) through the Pad Dryer Plate (#2), Top Grid and bottom of the Pad Dryer (#1).
4. Secure the Carriage Bolt (#4) with Jam Lock Nut, 3/8-16 (#3). Hand tighten the Bolt and Nut.



NON-POWERED PAD DRYER INSTALLATION

5. Turn the Non-Powered Pad Dryer into the desired position to store the pads.
Tightened the Jam Lock Nut (#3) snugly to secure the position.

