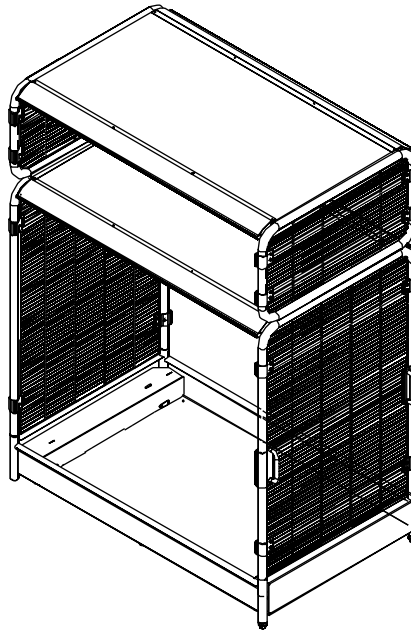




**GEARBOSS**  
by Wenger

# Assembly Instructions Attic Accessory for 48" X-Cart™

Short Attic  
Tall Attic



48" X-Cart with Short Attic Accessory

## CONTENTS

Important User Information.....	2	Fasteners and Parts List .....	4
General .....	2	Fasteners.....	4
Manufacturer .....	2	Attic Parts List .....	5
Installation .....	2	Assembly .....	6
Intended Use .....	2	Attach the Attic End Frame Assemblies to the Cart .....	6
Warranty .....	2	Attic Top Panel Assembly .....	8
Safety .....	3	Attach the Attic Top Panel Assembly to the End Frames.....	9
General.....	3	Replacement Parts .....	10
Installation .....	3	Attic End Frame.....	10
Usage .....	3	Attic Top Panel Assembly .....	11
Required Tools.....	4	Attic Wire-Grille End Panel.....	12

- Note:** Please read and understand these instructions before attempting installation, assembly or use.
- Note:** Remove all items from the shipping cartons and arrange them in a convenient location. Refer to the illustrations on the following pages.  
If you need additional information, contact Wenger Corporation using the information below.
- Note:** The installation procedure requires two or more people.

# IMPORTANT USER INFORMATION

---

## GENERAL

Copyright © 2013 by Wenger Corporation

All rights reserved. No part of the contents of this manual may be reproduced, copied, or transmitted in any form or by any means including graphic, electronic, or mechanical methods or photocopying, recording, or information storage and retrieval systems without the written permission of the publisher, unless it is for the purchaser's personal use.

Printed and bound in the United States of America.

The information in this manual is subject to change without notice and does not represent a commitment on the part of Wenger Corporation. Wenger Corporation does not assume any responsibility for any errors that may appear in this manual.

In no event will Wenger Corporation be liable for technical or editorial omissions made herein, nor for direct, indirect, special, incidental, or consequential damages resulting from the use or defect of this manual.

The information in this document is not intended to cover all possible conditions and situations that might occur. The end user must exercise caution and common sense when assembling or installing Wenger Corporation products. If any questions or problems arise, call Wenger Corporation at 1-800-887-7145.

## MANUFACTURER

The GearBoss® X-Cart™ Attic Accessory is manufactured by:

Wenger Corporation  
555 Park Drive  
Owatonna, MN 55060  
1-800-4WENGER (493-6437) • 1-507-455-4100  
www.wengercorp.com

## INSTALLATION

- The installation must comply with local building regulations and codes.
- All personnel (including temporary workers) must read and understand these instructions.
- Always comply with the cautions in these instructions.

## INTENDED USE

- This product is intended to be installed only on the 48" X-Cart.
- This product is intended for indoor use in normal ambient temperature and humidity conditions — it must not be exposed to prolonged outside weather conditions.
- This product is designed to be installed only as described in these instructions.

## WARRANTY

This product is guaranteed free of defects in materials and workmanship for five full years from date of shipment. A full warranty statement is available upon request.

# SAFETY

---

Throughout this manual you will find **Cautions** and **Warnings** which are defined as follows.

- **Warning** means that failure to follow the instruction may result in serious injury or death.
- **Caution** means that failure to follow the instruction may result in injury or damage to property.

Read and understand the following safety instructions before using or installing any Gearboss Accessory.

## GENERAL

### CAUTION

- *Installation and use of the Gearboss Attic Accessory must always comply with the information in the "Important End User Information, Intended Use" section of this manual.*
- *When using the Gearboss Sportcart, always observe and comply with Warnings and Cautions posted on the system equipment.*

## INSTALLATION

### CAUTION

- *Never install the Attic Accessory on a 48" Team Cart™.*
- *Make sure that anyone who helps assemble the Gearboss Attic Accessory has read and understands these instructions.*
- *Some assembly steps require that two or more persons work together. Some components are heavy and are difficult to handle alone.*
- *Never stand on an X-Cart™.*

## USAGE

### CAUTION

- *Do not place more than a 150 pound uniform load onto the Cart or Attic Top Panel. Placing a load greater than 150 pounds or concentrating the load can cause permanent deformation or a total collapse of the Top Panel.*

## REQUIRED TOOLS

---

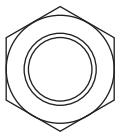
The following tools must be supplied to assemble the Gearboss Sportcart:

- Electric Drill
- $\frac{9}{16}$ " Combination Wrench

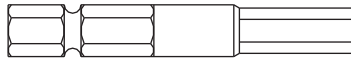
## FASTENERS AND PARTS LIST

---

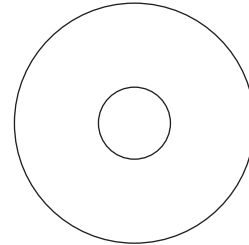
### FASTENERS



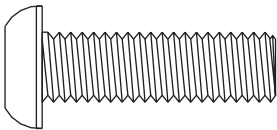
(4) Locknut, 3/8-16



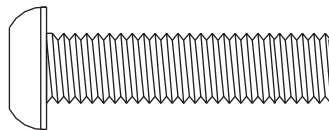
(9) Hex Insert Bit, 7/32-inch



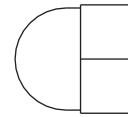
(6) Flat Washer, 3/8x1-1/4-inch



(8) Screw, Button Head,  
3/8-16x1-1/4-inch



(5) Screw, Button Head,  
3/8-16x1-1/2-inch



(7) Acorn Nut, 3/8-16

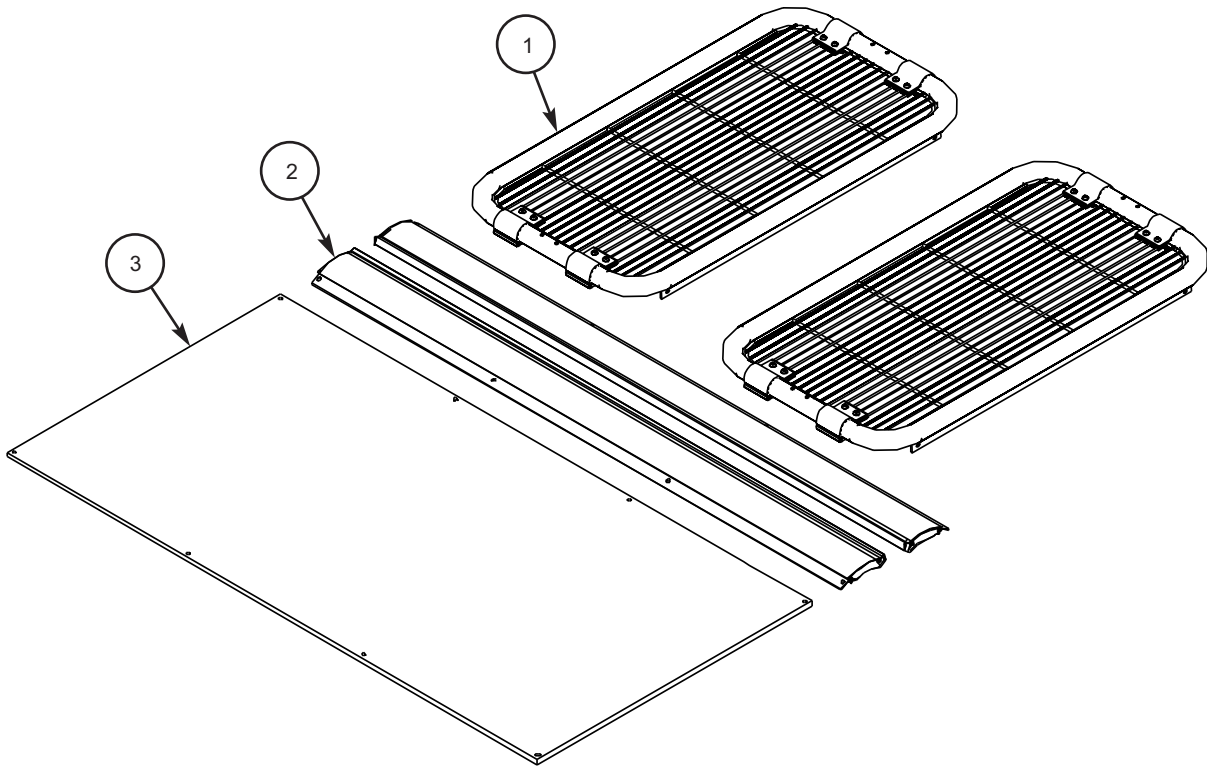
**Note:** Not all hardware items packed in the carton may be needed. When the assembly is complete, discard any hardware items not used.

# FASTENERS AND PARTS LIST (CONTINUED)

## ATTIC PARTS LIST

Item	Qty	Description
1	2	Attic End Frame with Wire-Grille
2	2	Attic Top Panel Extrusion Assembly
3	1	Attic Top Panel
4	4	Locknut, 3/8-16**
5	4	Screw, Button Head, 3/8-16x1-1/2-inch**
6	4	Flat Washer, 3/8x1-1/4-inch**
7	8	Acorn Nut, 3/8-16**
8	8	Screw, Button Head, 3/8-16x1-1/4-inch**
9	1	Hex Insert Bit, 7/32-inch**

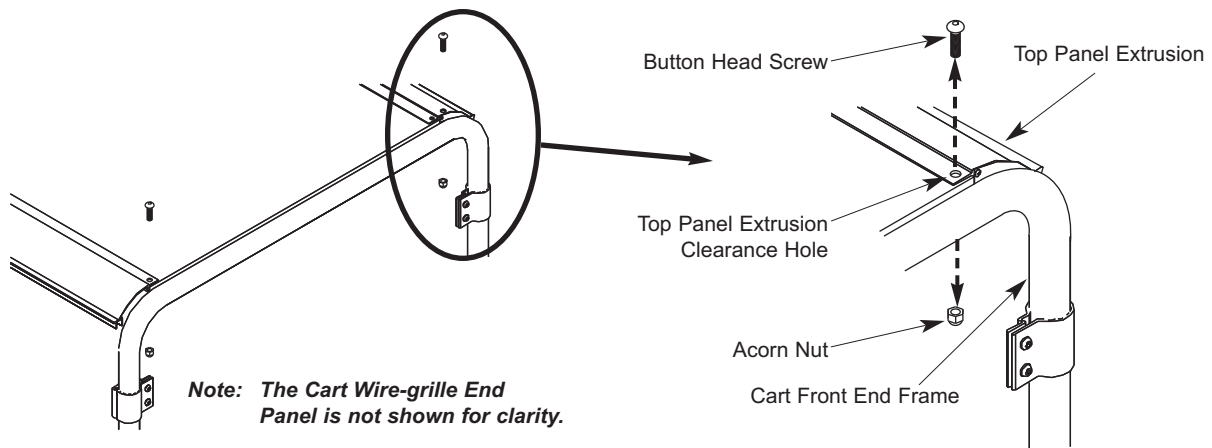
\*\*Item is not show, refer to Fasteners



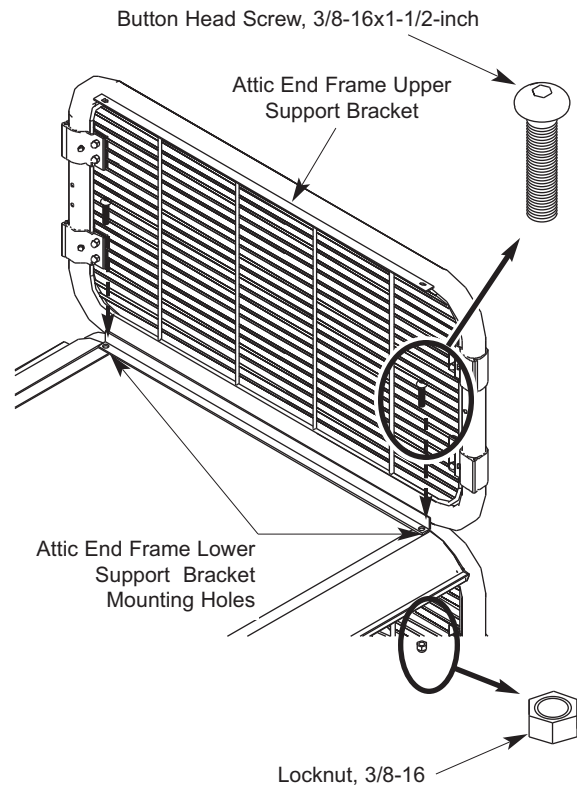
# ASSEMBLY

## ATTACH THE ATTIC END FRAME ASSEMBLIES TO THE CART

1. Using a cordless drill and a 7/32-inch hex insert bit with a 9/16-inch combination wrench, remove the two Acorn Nuts and Button Head Screws that attach the Top Panel Extrusions to the Cart Front End Frame.
  - a. Discard the Acorn Nuts.
  - b. Discard the Button Head Screws.



2. Attach an Attic End Frame Assembly to the Front of the Cart as follows.
  - a. Align the Attic End Frame Lower Support Bracket Mounting Holes to the two Top Panel Extrusion Clearance Holes where the Button Head Screws were removed in step 1 above. Make sure that the Attic End Frame Lower Support Bracket faces to the inside of the Cart.
  - b. Insert a Button Head Screw, 3/8-16x1-1/2-inches long, into each Attic End Frame Lower Support Bracket Mounting Hole and Top Panel Extrusion Clearance Hole.
  - c. Attach and tighten two Locknuts, 3/8-16, to the two Button Head Screws.

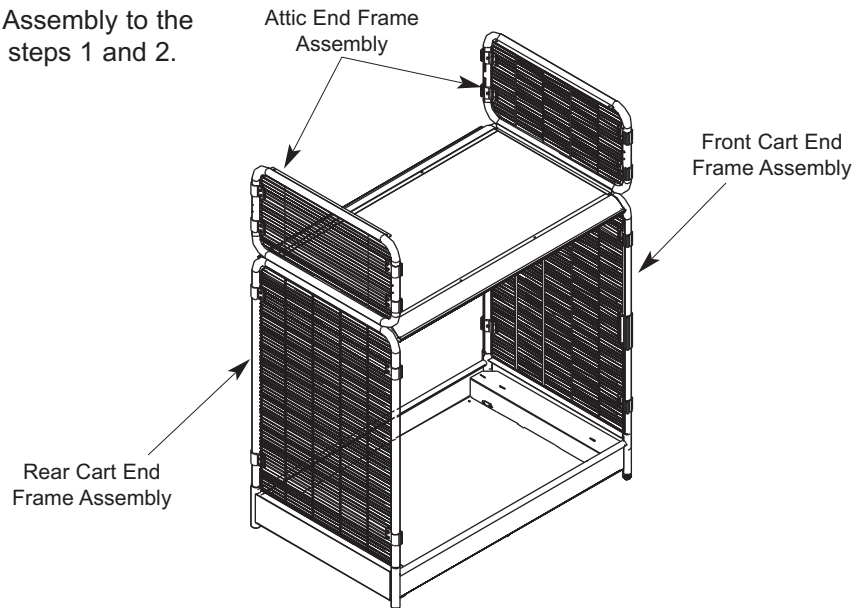


## **ASSEMBLY (CONTINUED)**

---

### **ATTACH THE ATTIC END FRAMES TO THE CART (CONTINUED)**

3. Attach the other Attic Frame Assembly to the rear of the Cart by repeating steps 1 and 2.



# ASSEMBLY (CONTINUED)

---

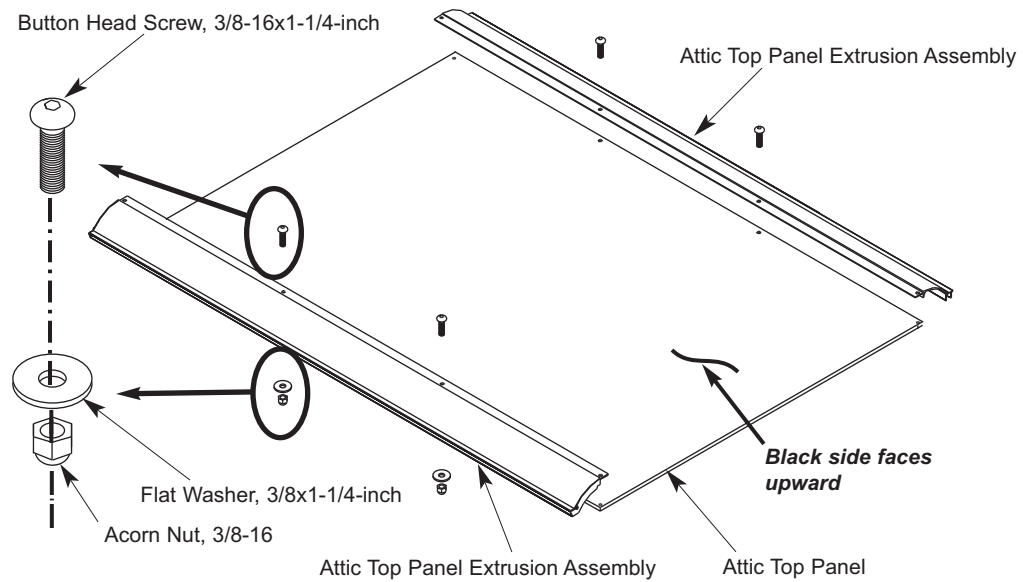
## ATTIC TOP PANEL ASSEMBLY

Assemble the two Attic Top Panel Extrusion Assemblies to the Attic Top Panel as follows.

**Note:** To prevent damage, use a work surface to support the Top Panel.

1. Attach two Attic Top Panel Extrusion Assemblies to the Attic Top Panel with four Button Head Screws, 3/8-16x1-1/4-inch, four Flat Washers (3/8x1-1/4-inch outside diameter), and four Acorn Nuts, 3/8-16, as shown below. **Do not tighten the fasteners.**

**Note:** The **black side** of Attic Top Panel faces upward.





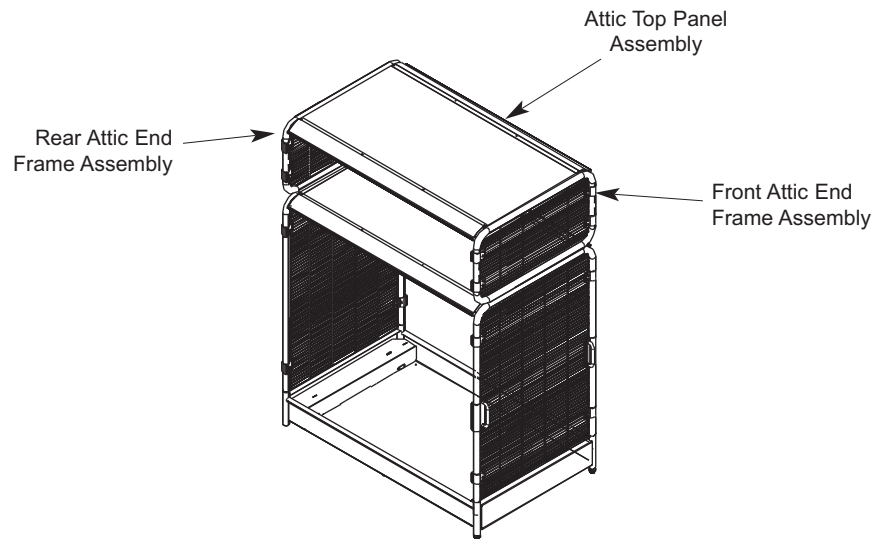
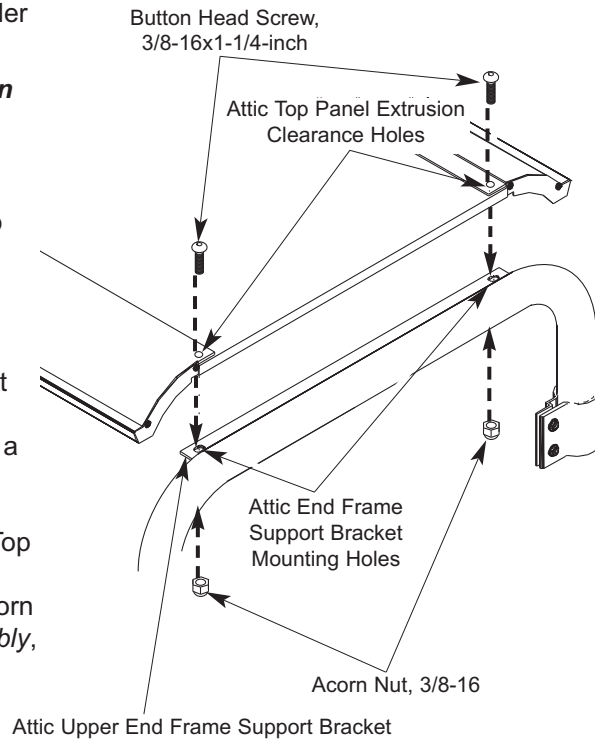
## ASSEMBLY (CONTINUED)

### ATTACH THE ATTIC TOP PANEL ASSEMBLY TO THE ATTIC END FRAMES

**Note:** It will be necessary to use a step stool or ladder to attach the screws.

**Warning!** *Never stand on a Cart when working on it. Failure to observe this warning can result in serious injury or damage to property.*

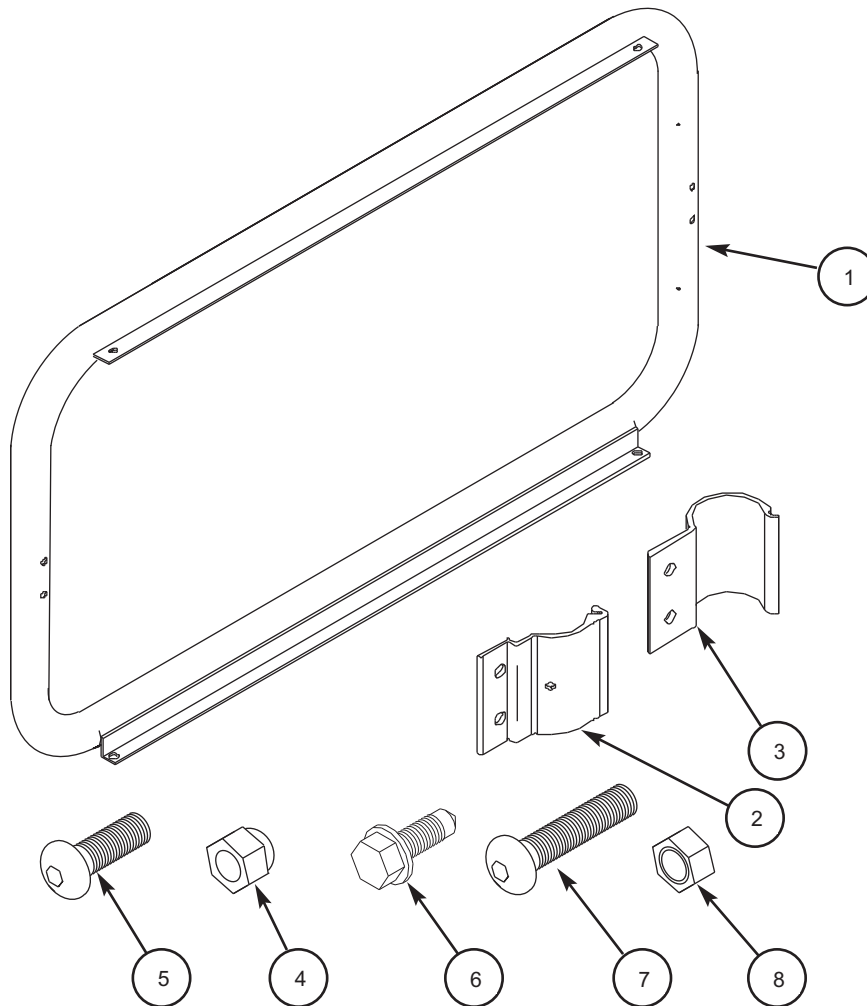
1. With two people working together, lift the Attic Top Panel Assembly and place it onto the top of the Front and Rear Attic End Frame Upper Support Brackets.
2. Make sure that the Attic Top Panel Extrusion Clearance Holes and the Attic End Frame Support Bracket Mounting Holes are aligned.
4. Using a cordless drill and a 7/32-inch hex bit with a 9/16-inch combination wrench, attach and tighten two Button Head Screws, 3/8-16x1-1/4-inch, and two Acorn Nuts, 3/8-16, on each end of the Attic Top Panel as shown at the right.
5. Tighten the four Button Head Screws and four Acorn Nuts assembled in step 1, *Attic Top Panel Assembly*, on the previous page.



# REPLACEMENT PARTS

## ATTIC END FRAME

**Note:** *When ordering, always specify whether a Short or Tall Attic Accessory.*

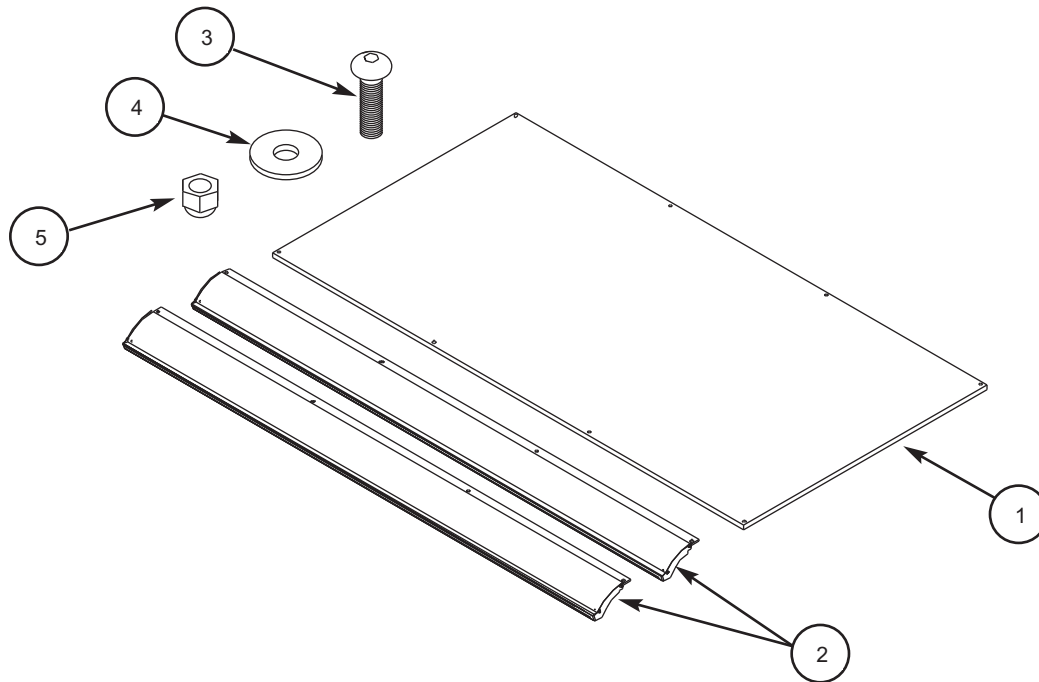


Item	Description
1	Attic End Frame
2	Attic End Frame Inside Bracket
3	Attic End Frame Outside Bracket
4	Acorn Nut, 3/8-16
5	Button Head Screw, 3/8-16x7/8-inch
6	Screw, Self-drill, 1/4-14x1-inch
7	Button Head Screw, 3/8-16x1-1/2-inch
8	Locknut, 3/8-16

# REPLACEMENT PARTS (CONTINUED)

---

## ATTIC TOP PANEL ASSEMBLY



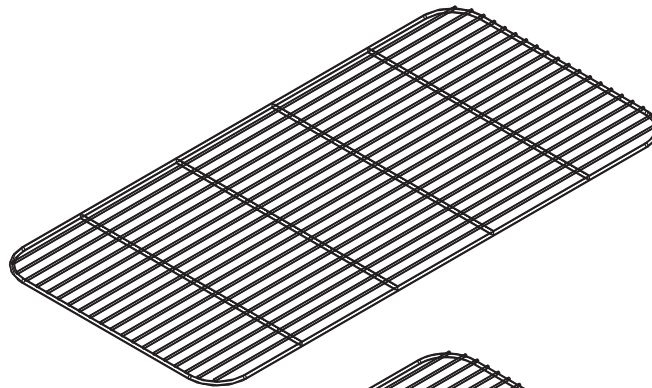
Item	Description
1	Attic Top Panel
2	Attic Top Panel Extrusion Assembly
3	Screw, Button Head, 3/8-16x1-1/4-inch
4	Flat Washer, 3/8x1-1/4
5	Acorn Nut, 3/8-16

# REPLACEMENT PARTS (CONTINUED)

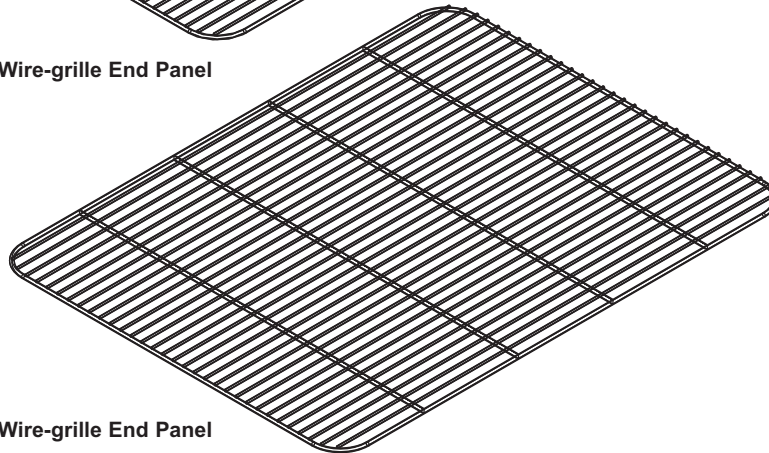
---

## ATTIC WIRE-GRILLE END PANEL

**Note:** *When ordering, specify whether Tall or Short Attic Accessory*



Short Attic Wire-grille End Panel



Tall Attic Wire-grille End Panel

Item	Description
1	Attic Wire-grille End Panel