

GearBoss® Sports Storage System

GearBoss is an equipment storage and transportation solution designed to transform your equipment room into a point of pride. GearBoss is a high-density storage solution that uses an innovative system of tracks and rolling carts and accessories to reduce the square footage of your storage area by at least half.

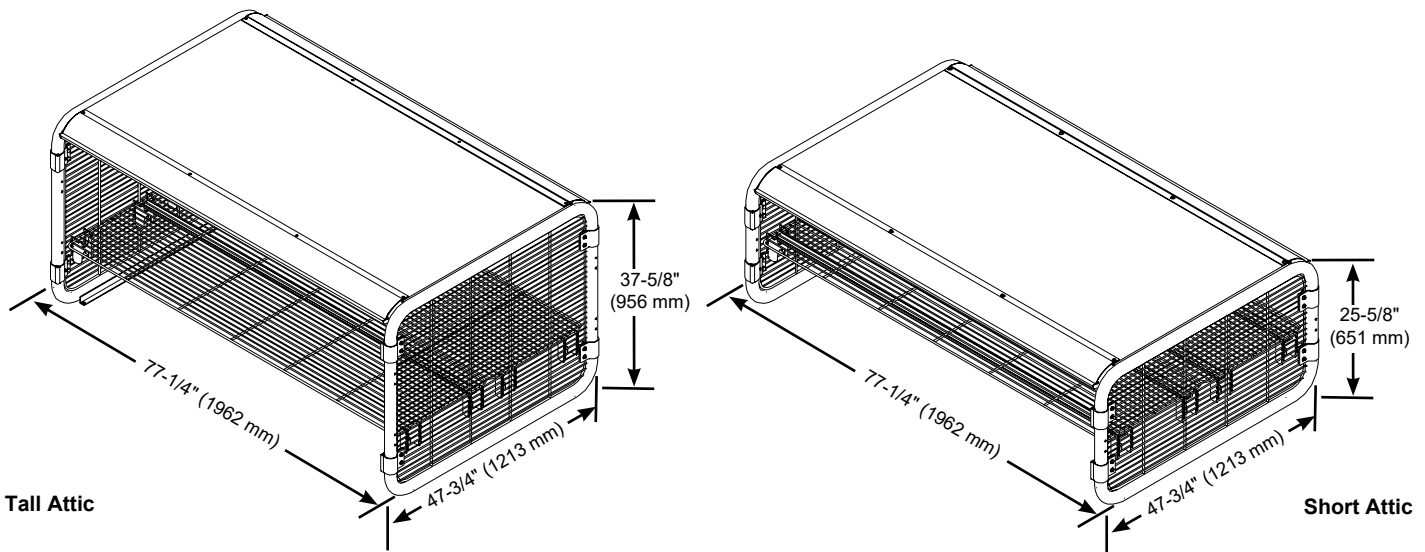
GearBoss units are designed to encourage airflow and improve sanitation and odor issues. The modular system features accessories specific for the needs of bulky equipment like helmets and shoulder pads.

Intended Use

- The GearBoss system is intended for indoor use in normal ambient temperature and humidity conditions - components must not be exposed to prolong outside weather conditions.
- Attics are designed only to be used on the 48" (1219 mm) X-Cart.

System Description

- Attics come in two heights 25-5/8" (651 mm) and 37-5/8" (956 mm)
- Welded end frames made from 2" (51 mm) diameter x 16-gauge steel tubing
- Resistant welded heavy-duty steel wire grill end frames
- Durable powder paint coat finish
- Roof panel constructed from solid 5/8" (16 mm) MDF and with aluminum extrusions, the roof assembly is rated for 150 lb (68 kg) load
- Designed to be accessorized with the 24" (610 mm) wide wire shelves
- Approximate weights:
 - Short attic, 115 lb (52 kg)
 - Tall attic, 123 lb (56 kg)
- Shipped ready to assemble
- Part Numbers:
 - Short attic 240A803
 - Tall attic 240A804
- Five-year warranty



MUSIC EDUCATION AND PERFORMING ARTS

Owatonna Office: Phone 800.4WENGER (493-6437) Worldwide +1.507.455.4100 | Parts & Service 800.887.7145 | wengercorp.com
555 Park Drive, PO Box 448 | Owatonna | MN 55060-0448

Syracuse Office: Phone 800.836.1885 Worldwide +1.315.451.3440 | jrclancy.com | 7041 Interstate Island Road | Syracuse | NY 13209-9713

ATHLETICS Phone 800.493.6437 | email gearboss@wengercorp.com | gearboss.com | 555 Park Drive, PO Box 448 | Owatonna | MN 55060-0448