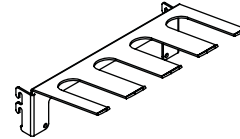


48" Bat Holder



32" Bat Holder

CONTENTS

| | |
|----------------------------------|---|
| Safety | 2 |
| General | 2 |
| Installation | 2 |
| Warranty | 2 |
| Important User Information | 3 |
| Installation | 3 |
| Intended Use | 3 |
| Bat Holder Installation | 4 |
| Replacement Parts List | 6 |
| 48" Bat Holder Accessory | 6 |
| 32" Bat Holder Accessory | 6 |

Note: Please read and understand the Bat Holder Accessory Owner's Manual before attempting installation, assembly, or use.

Note: Remove all items from the shipping containers and sort the components by type, size, etc. Refer to the illustrations on the following pages. If you need additional information about your Bat Holder Accessory, contact the Wenger Corporation using the information listed below.


SAFETY

Throughout this manual you will find **Cautions** and **Warnings** which are defined as follows.

- **Warning** means that failure to follow the instruction may result in serious injury or death.
- **Caution** means that failure to follow the instruction may result in injury or damage to property.

Read and understand the following safety instructions before using or installing any Gearboss Accessory.

GENERAL

|  CAUTION |
|-----------------------------------------------------------------------------------------------------------------------------------------------------------------------------------------|
| <i>Installation and use of the Gearboss Accessories must always comply with the information in the "Important End User Information, Intended Use" section on page 3 of this manual.</i> |

|  CAUTION |
|----------------------------------------------------------------------------------------------------------------------------------|
| <i>When using the Gearboss Accessories, always observe and comply with Warnings and Cautions posted on the system equipment.</i> |

INSTALLATION

|  CAUTION |
|------------------------------------------------------------------------------------------------------------------------|
| <i>Make sure that anyone who helps install the Gearboss Bat Holder Accessory has read and understands this manual.</i> |

WARRANTY

The Gearboss Bat Holder Accessory is guaranteed free of defects in materials and workmanship for five full years.

Our guarantee assures you of either a full refund or repair or replacement of the defective materials or workmanship without charge, at the discretion of our Customer Service Department. Just call a Customer Service Representative at 1-800-887-7145 and state the reason you are dissatisfied. If a product return is necessary, your representative will issue a return authorization. This is your sole remedy for breach of this warranty.

Should you have a question or problem with any Wenger product, don't hesitate to call, even if the product is past warranty. It's important to us that all our customers be satisfied.

This is the sole warranty made by Wenger. Wenger disclaims all other warranties, including the warranties of merchantability and fitness for a particular purpose, as well as all liability for incidental, consequential, special, and indirect damage. Wenger liability for direct damages shall be limited to the amount you paid for the product involved. Wenger reserves the right to make product changes without obligation to incorporate such changes into products previously sold.

Some states do not allow the exclusion or limitation of damages or warranties, so the above may not apply to you. This warranty gives you specific legal rights. You may also have other rights which vary from state to state.

IMPORTANT USER INFORMATION

INSTALLATION

- The Gearboss Bat Holder Accessory installation must comply with local building regulations and codes.
- Personnel installing the Gearboss Bat Holder Accessory must comply with the Warnings and Cautions in the Safety Section.

INTENDED USE

- The Gearboss Bat Holder Accessory is intended for indoor use in normal ambient temperature and humidity conditions — it must not be exposed to prolonged outside weather conditions.
- The Gearboss Bat Holder Accessory is intended to be permanently installed only as described in this manual.

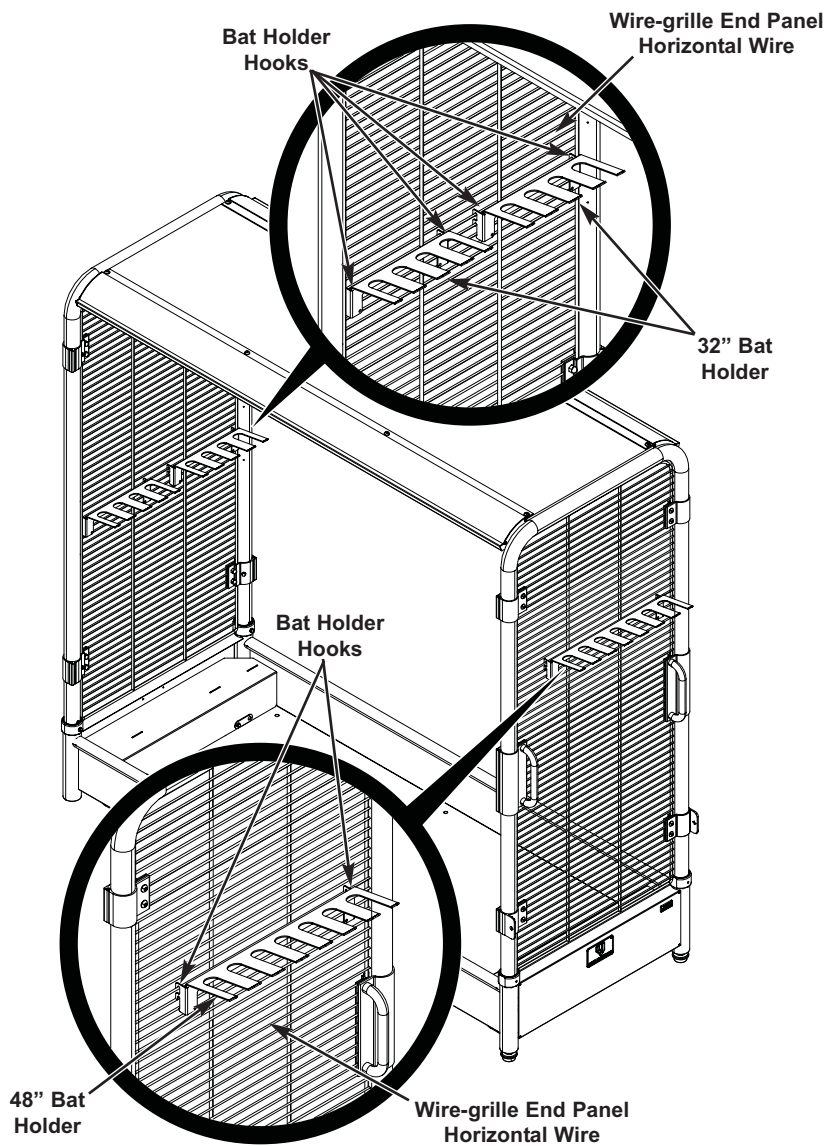
BAT HOLDER INSTALLATION

CAUTION

Injury or damage may occur if the Bat Holder is used for anything other than storing bats.

1. Attach the Bat Holder Accessory Hanger Bracket to an End Frame Wire-grille End Panel:
 - a. Place the Bat Holder Hooks onto the Wire-grille End Panel Horizontal Wires.
 - b. Make sure that both Accessory Hanger Brackets are at the same height and equally spaced horizontally from the edge of the cart.

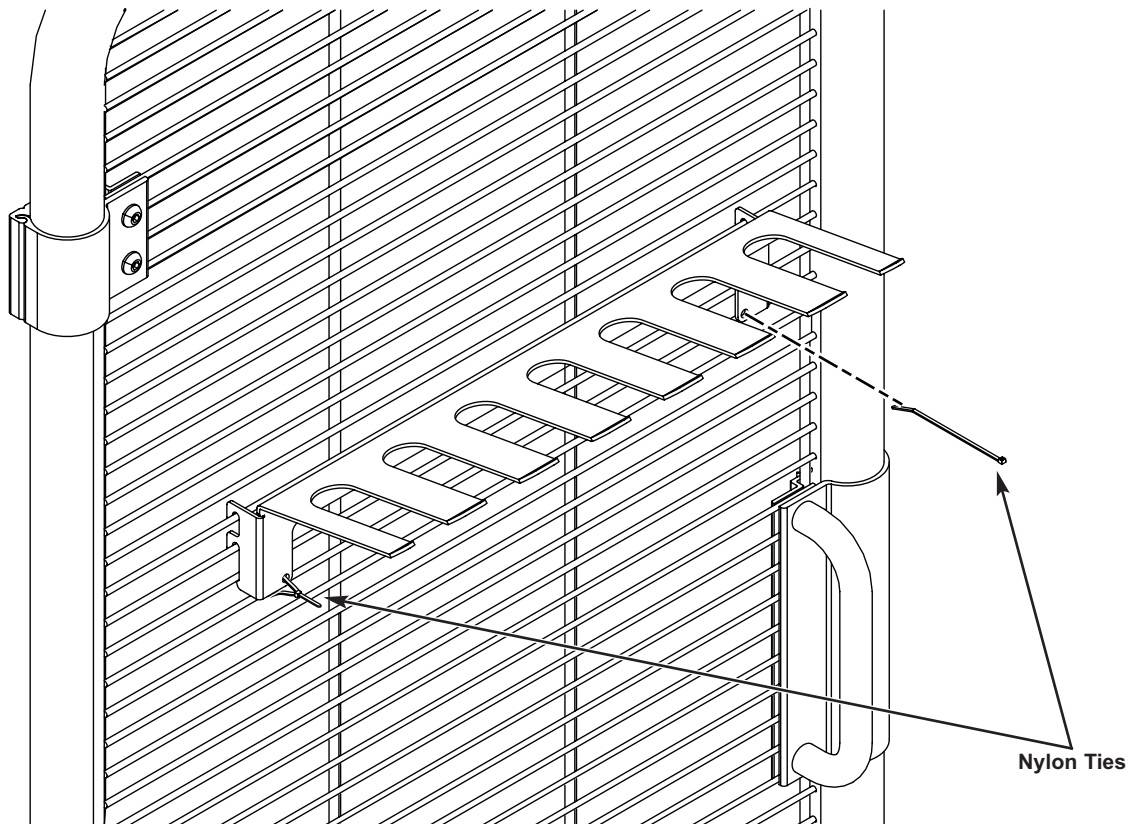
NOTE: The installation procedure is the same for both the 48" and the 32" Bat Holder Accessory.



BAT HOLDER INSTALLATION CONTINUED

2. Secure the Bat Holder Accessory Hanger Bracket to the End Frame Wire-grille End Panel:
 - a. Feed one of the included nylon ties through each hole located near the bottom (two per bracket)
 - b. Wrap nylon tie around a wire-grille panel horizontal wire and fasten the tie.

Note: Once the nylon tie is fastened, it cannot be removed without cutting it off.

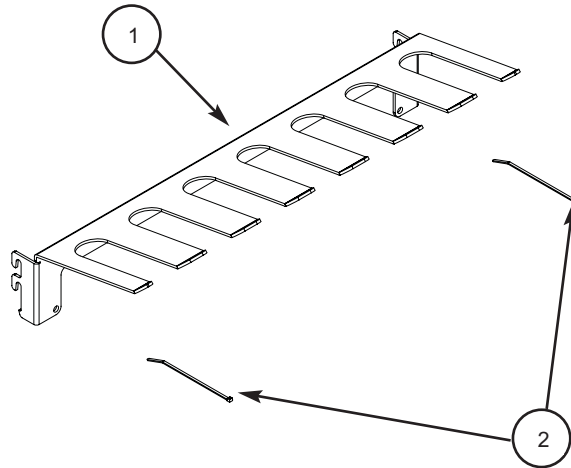


REPLACEMENT PARTS LIST

48" BAT HOLDER ACCESSORY

Note: The following parts are contained in the 48" Bat Holder Accessory Carton. Contact Wenger for replacement part information.

| <u>Item</u> | <u>Qty</u> | <u>Description</u> |
|-------------|------------|--------------------|
| 1 | 2 | 48" Bat Holder |
| 2 | 4 | Nylon Tie |



32" BAT HOLDER ACCESSORY

Note: The following parts are contained in the 32" Bat Holder Accessory Carton. Contact Wenger for replacement part information.

| <u>Item</u> | <u>Qty</u> | <u>Description</u> |
|-------------|------------|--------------------|
| 1 | 2 | 32" Bat Holder |
| 2 | 4 | Nylon Tie |

