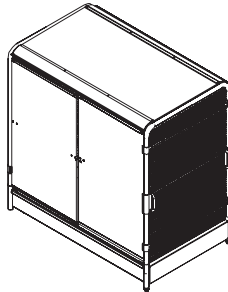




# Owner's Manual High Density Sports Storage Bypass Door Accessory



Bypass Door Accessory on a 48-inch X-Cart

## CONTENTS

Safety .....	2	Bypass Door Installation .....	5
General .....	2	Before Starting the Bypass Door Installation .....	5
Installation .....	2	Attach the Bypass Door Track .....	5
Warranty .....	2	Install the Bypass Doors .....	6
Important User Information .....	3	Check the Bypass Door Top Clearance .....	9
Installation .....	3	Replacement Parts .....	11
Intended Use .....	3	Bypass Door Accessory .....	11
Required Tools .....	3		
Parts List and Fasteners .....	4		
Fasteners .....	4		
Bypass Door Parts and Hardware List .....	4		

- Note:** Please read and understand the High Density Sports Storage Bypass Door Accessory Owner's Manual before attempting installation or use.
- Note:** Remove all items from the shipping containers and sort the components by type, size, etc. Refer to the illustrations on the following pages. If you need additional information about your High Density Sports Storage Bypass Door Accessory, write, email, or telephone Wenger Corporation at the number or address below.
- Note:** Always install the Bypass Door Accessory first if an Attic Accessory will also be installed on a 48-inch X-Cart.

## **SAFETY**

---

Throughout this manual you will find **Cautions** and **Warnings** which are defined as follows.

- **Warning** means that failure to follow the instruction may result in serious injury or death.
- **Caution** means that failure to follow the instruction may result in injury or damage to property.

**Note:** Read all of these safety instructions before using or installing the High Density Sports Storage System.

### **GENERAL**

**Warning!** *Installation and use of the Wenger High Density Sports Storage System Bypass Door Accessory must always comply with the information in the section Important End User Information, Intended Use on page 3 of this manual. Failure to observe this warning can result in damage to property or serious injury.*

**Warning!** *People using the Wenger High Density Sports Storage System Accessories must always observe and comply with warnings and cautions posted on the System equipment. Failure to observe this warning can result in damage to property or serious injury.*

### **INSTALLATION**

**Warning!** *Always wear safety glasses and safety shoes when assembling the Wenger High Density Sports Storage System Accessories. Failure to observe this warning can result in damage to property or serious injury.*

**Warning!** *Make sure that anyone who helps assemble the Wenger High Density Sports Storage System Bypass Door Accessory has read and understands this manual. Failure to observe this warning can result in damage to property or serious injury.*

**Warning!** *Never stand on a Cart when working on it. Failure to observe this warning can result in serious injury or damage to property.*

## **WARRANTY**

---

The High Density Sports Storage System Bypass Door Accessory is guaranteed free of defects in materials and workmanship for five full years.

Our guarantee assures you of either a full refund or repair or replacement of the defective materials or workmanship without charge, at the discretion of our Customer Service Department. Just call a Customer Service Representative at 1-800-887-7145 and state the reason you are dissatisfied. If a product return is necessary, your representative will issue a return authorization. This is your sole remedy for breach of this warranty.

Should you have a question or problem with any Wenger product, don't hesitate to call, even if the product is past warranty. It's important to us that all our customers be satisfied.

This is the sole warranty made by Wenger. Wenger disclaims all other warranties, including the warranties of merchantability and fitness for a particular purpose, as well as all liability for incidental, consequential, special, and indirect damage. Wenger liability for direct damages shall be limited to the amount you paid for the product involved. Wenger reserves the right to make product changes without obligation to incorporate such changes into products previously sold.

Some states do not allow the exclusion or limitation of damages or warranties, so the above may not apply to you. This warranty gives you specific legal rights. You may also have other rights which vary from state to state.

# IMPORTANT USER INFORMATION

---

## INSTALLATION

- The Wenger High Density Sports Storage Bypass Door Accessory installation must comply with local building regulations and codes.
- All personnel (including all temporary workers) installing the Wenger High Density Sports Storage Bypass Door Accessory must read and understand this entire manual.
- Personnel installing the Wenger High Density Sports Storage System Bypass Door Accessory must comply with the warnings and cautions in the Safety Section.

## INTENDED USE

- The Wenger High Density Sports Storage System Bypass Door Accessory is intended for indoor use in normal ambient temperature and humidity conditions — it must not be exposed to prolonged outside weather conditions.
- The Wenger High Density Sports Storage System Bypass Door Accessory is intended to be permanently installed only as described in this manual.

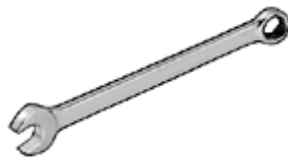
## REQUIRED TOOLS

---

High Density Sports Storage Bypass Door Accessory installation requires the installer to supply the tools shown below.



Cordless Drill



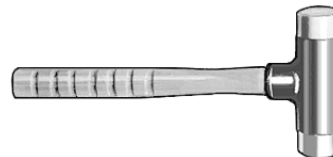
9/16inch Combination Wrench



Carpenter's Square



6-inch Steel Rule

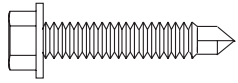


Mallet

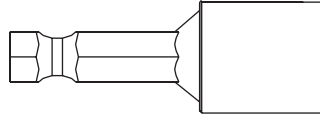
# PARTS LIST AND FASTENERS

## FASTENERS

The full scale fasteners shown below are contained in the Bypass Door Accessory Hardware Pack. Any fasteners remaining when the installation is complete should be discarded.



(5) Screw, Self-drill, 10-18x1-inch

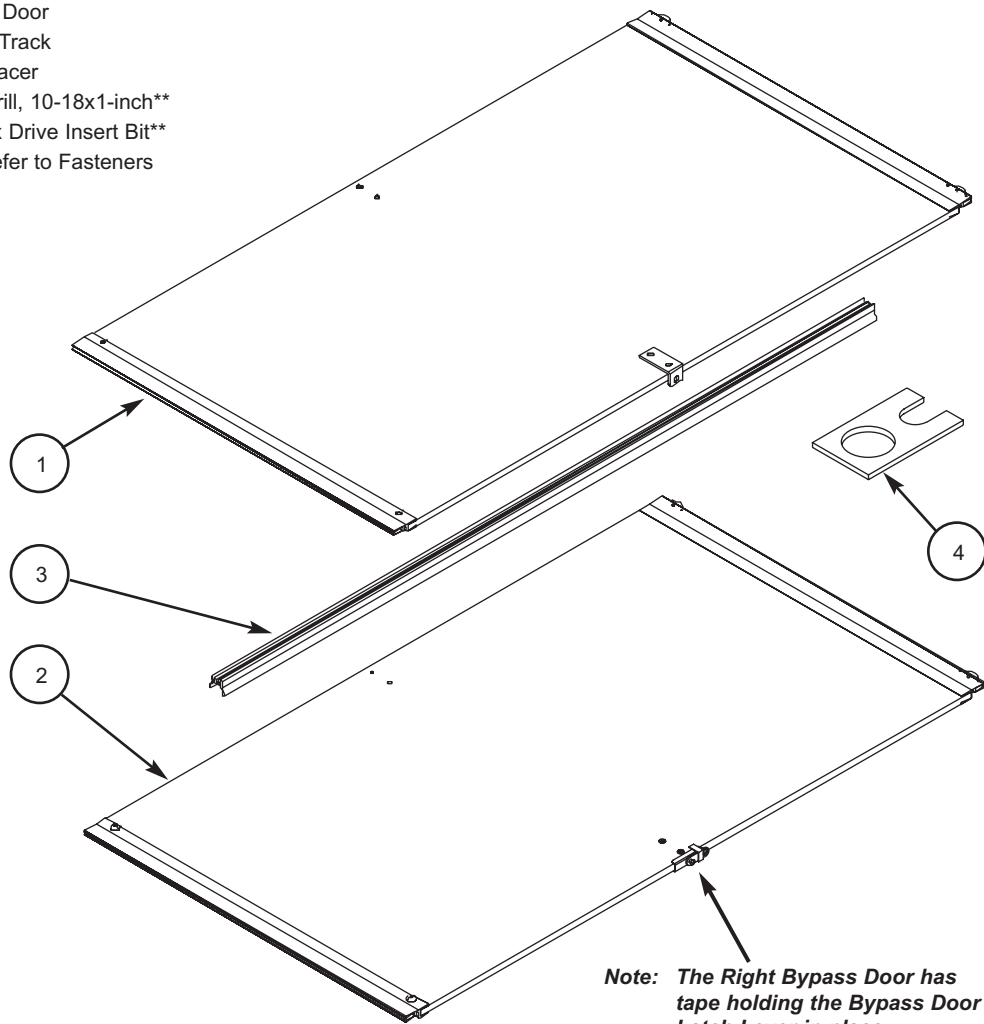


(6) Hex Nut Insert Bit, 5/16-inch

## BYPASS DOOR PARTS AND HARDWARE LIST

**Note:** *Parts list is for the parts contained in the Bypass Door Accessory Carton.*

<u>Item</u>	<u>Qty</u>	<u>Description</u>
1	1	Left Bypass Door
2	1	Right Bypass Door
3	1	Bypass Door Track
4	6	Top Panel Spacer
5	5	Screw, Self-drill, 10-18x1-inch**
6	1	5/16-inch Hex Drive Insert Bit**
		** Not shown, refer to Fasteners



**Note:** *The Right Bypass Door has tape holding the Bypass Door Latch Lever in place.*

# BYPASS DOOR INSTALLATION

The following Instructions are the same for the Bypass Door Accessory Installation on a 32-inch X Cart, a 48-inch X-Cart, or a Team Cart.

## BEFORE STARTING THE BYPASS DOOR INSTALLATION

**Warning:** *Personal injury or damage to property can happen if the instructions in this manual are not followed.*

**Warning:** *Always wear safety glasses and safety shoes when installing the High Density Sports Storage System Accessories. Failure to observe this precaution can result in serious injury.*

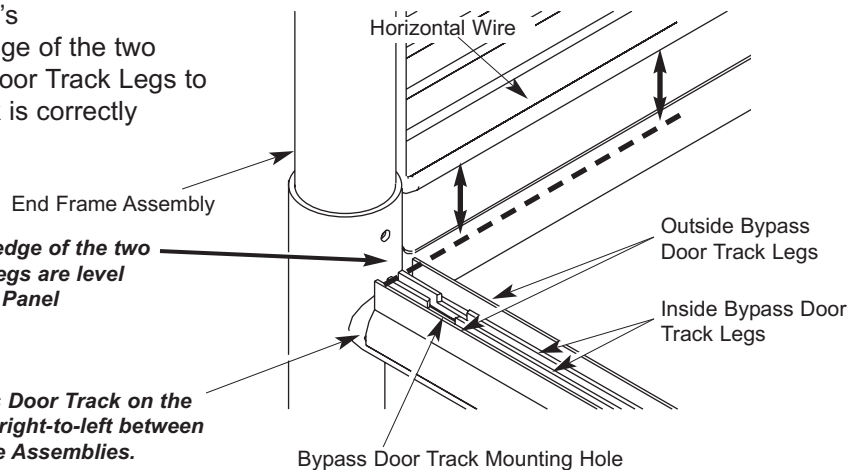
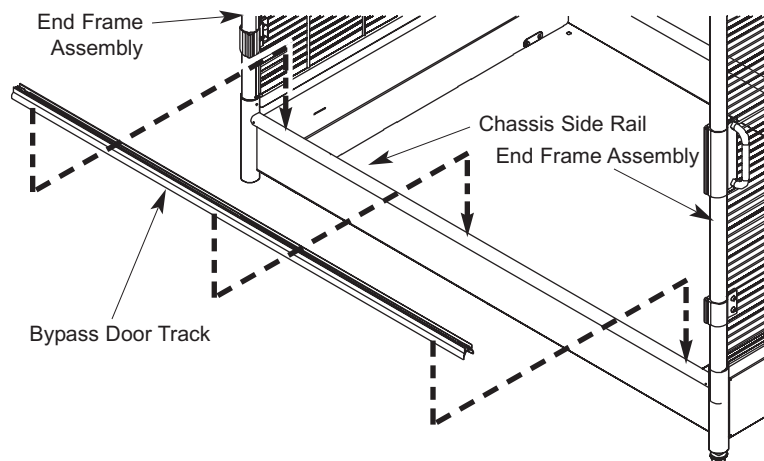
**Warning!** *Never stand on a Cart when working on it. Failure to observe this warning can result in serious injury or damage to property.*

**Note:** Not all hardware items packed in the carton may be needed. When the assembly is complete, discard any hardware items not used.

1. Move the Bypass Door Accessory Carton to the work area (it is best to use a work table).
2. Open the Carton and inventory the contents. Make sure that all of the required items listed on page 4 are present including the Hardware items.

## ATTACH THE BYPASS DOOR TRACK

1. Decide which side of the Cart to install the Bypass Door Accessory.
2. Place the Bypass Door Track onto the Chassis Side Rail.
  - a. Center the Bypass Door Track on the Chassis Side Rail right-to-left between the two End Frame Assemblies.
  - b. Gently tap the Bypass Door Track downward with a mallet to engage the Chassis Side Rail.
  - c. Make sure that the top edge of the Bypass Door Track is parallel with the Horizontal Wires of the Wire-grille End Panel. Place a carpenter's square across the top edge of the two Outside Upper Bypass Door Track Legs to make sure that the Track is correctly positioned.



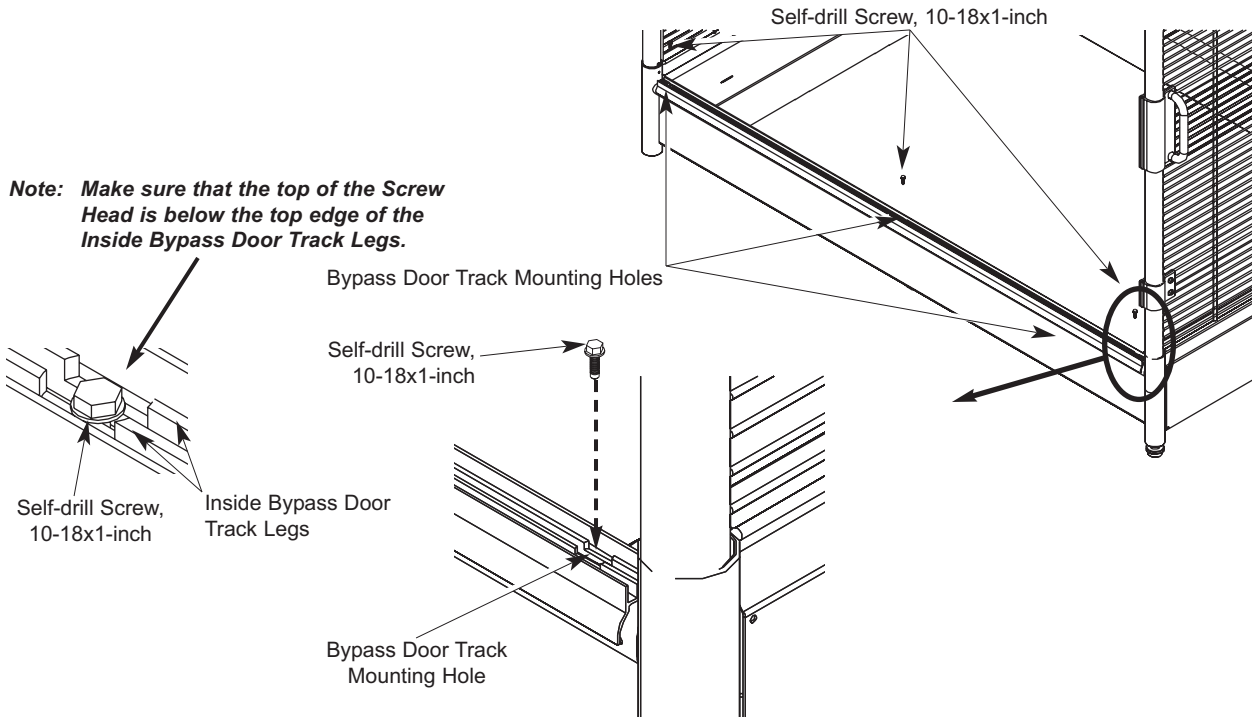
**Note:** *Make sure that the top edge of the two Bypass Door Outside Legs are level with the Wire-grille End Panel Horizontal Wires.*

**Note:** *Center the Bypass Door Track on the Chassis Side Rail right-to-left between the two End Frame Assemblies.*

## BYPASS DOOR INSTALLATION CONTINUED

### ATTACH THE BYPASS DOOR TRACK CONTINUED

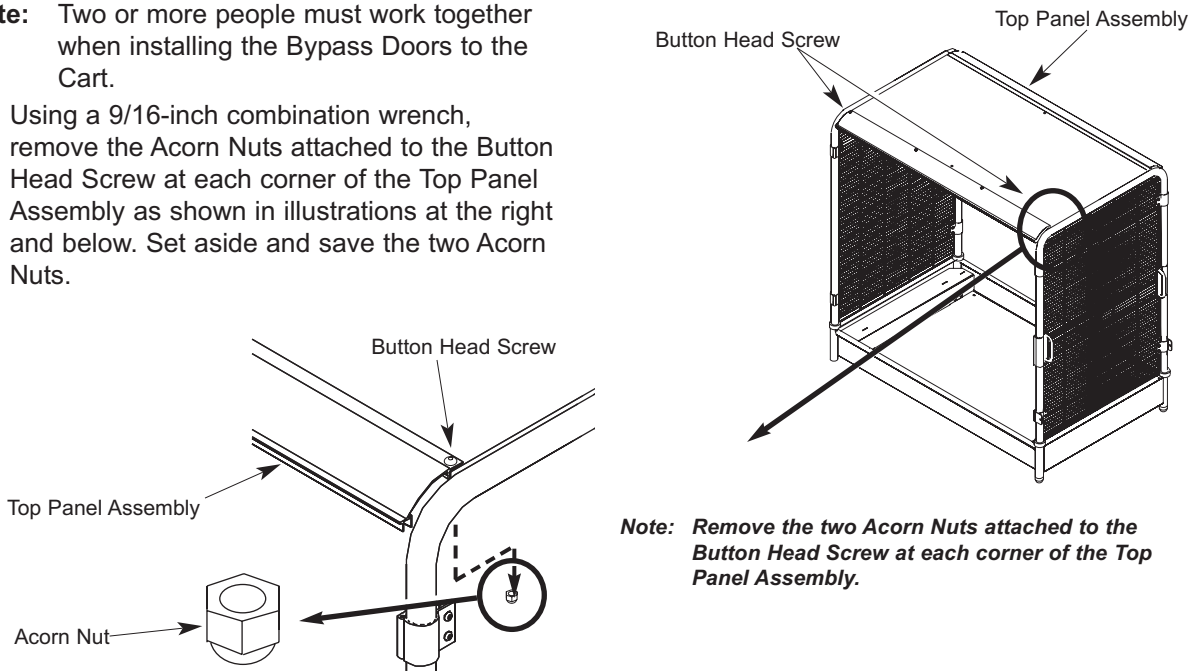
- Using a cordless drill and a 5/16-inch hex nut drive bit, attach three Self-drill Screws, 10-18x1-inch, to the Bypass Door Track and Chassis Side Rail. Attach a Screw at each Bypass Door Track Mounting Hole by drilling it into the Chassis Side Rail. Make sure that the top of each screw head is below the top edge of the Inside Bypass Door Track Legs when finished.



### INSTALL THE BYPASS DOORS

**Note:** Two or more people must work together when installing the Bypass Doors to the Cart.

- Using a 9/16-inch combination wrench, remove the Acorn Nuts attached to the Button Head Screw at each corner of the Top Panel Assembly as shown in illustrations at the right and below. Set aside and save the two Acorn Nuts.



# BYPASS DOOR INSTALLATION CONTINUED

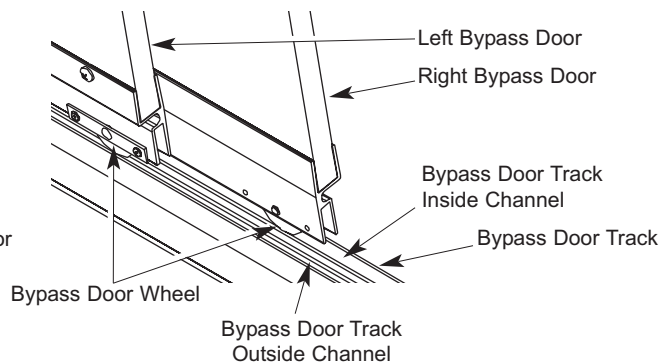
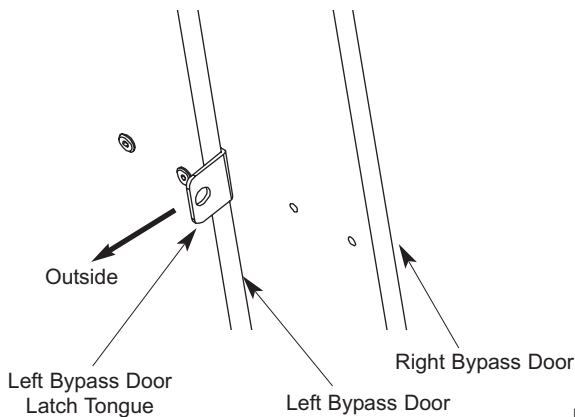
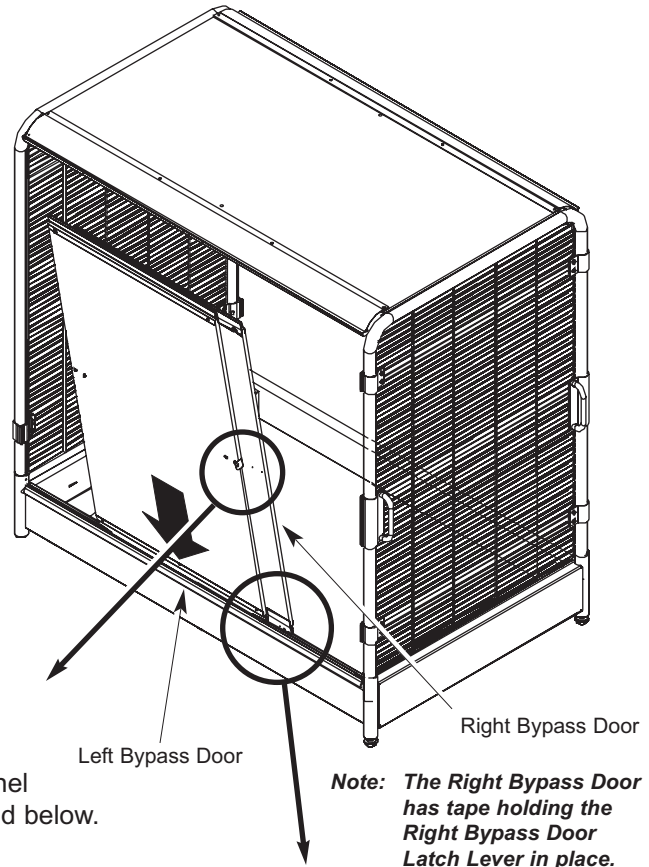
## INSTALL THE BYPASS DOORS CONTINUED

**Note:** The Right Bypass Door has tape holding the Right Bypass Door Latch Lever against the Right Bypass Door.

**Note:** The Right Bypass Door Latch and Latch Lever must ***face to the inside*** of the Cart and the Left Hand Bypass Door Latch Tongue must ***face to the outside*** of the Cart.

**Note:** The following steps require two or more people to work together.

2. Place the Right Bypass Door into the Bypass Door Track as follows.
  - a. Hold the Right Hand Bypass Door at about a ten-degree angle with the Door Latch facing the inside of the Cart.
  - b. Place the Right Bypass Door Wheels into the Bypass Door Track Inside Channel and hold the Door at an angle as shown at the right.
3. Place the Left Bypass Door into the Bypass Door Track as follows.
  - a. One person must continue to hold the Right Bypass Door at an angle with the Bypass Door Wheels resting on the Bypass Door Track Inside Channel.
  - b. A second person must hold the Left Bypass Door at about a ten-degree angle with the Door Latch Tongue facing the outside of the Cart and place the Left Bypass Door Wheels into the Bypass Door Track Outside Channel as shown in the illustrations at the right and below.

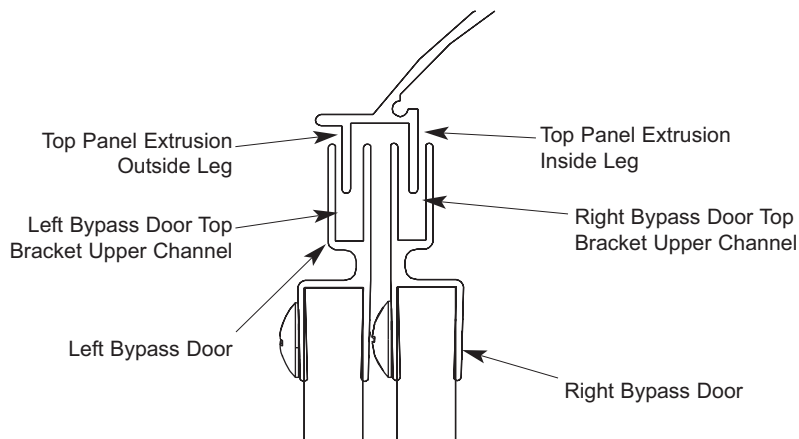
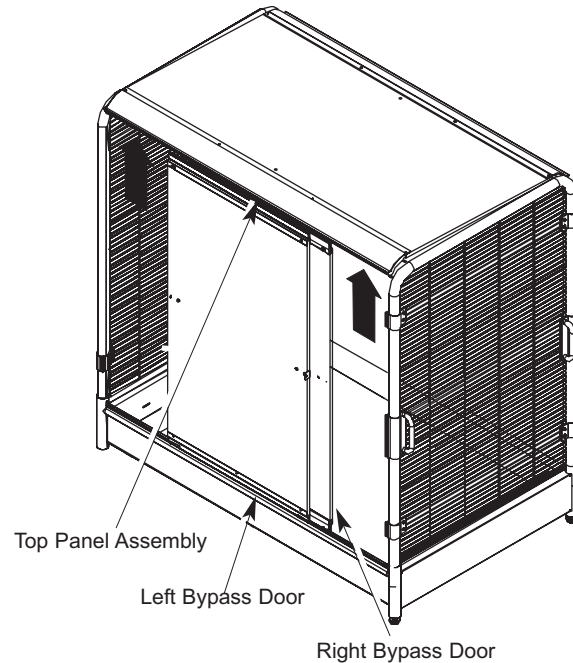


## **BYPASS DOOR INSTALLATION CONTINUED**

---

### **INSTALL THE BYPASS DOORS CONTINUED**

4. With one person holding the Right Bypass Door and another person holding the Left Bypass Door, do as follows.
  - a. Each person, working together, should lift the Top Panel Assembly upward about one-inch.
  - b. Move the Right Bypass Door Top Bracket Upper Channel under the Top Panel Extrusion Inside Leg.
  - c. Move the Left Bypass Door Top Bracket Upper Channel under the Top Panel Extrusion Outside Leg.
  - d. Lower the Top Panel Assembly until it rests on the two End Frame Support Brackets and engages the Left and Right Bypass Door Top Bracket Upper Channels with the Top Panel Extrusion Inside and Outside Legs as shown in the illustration below.





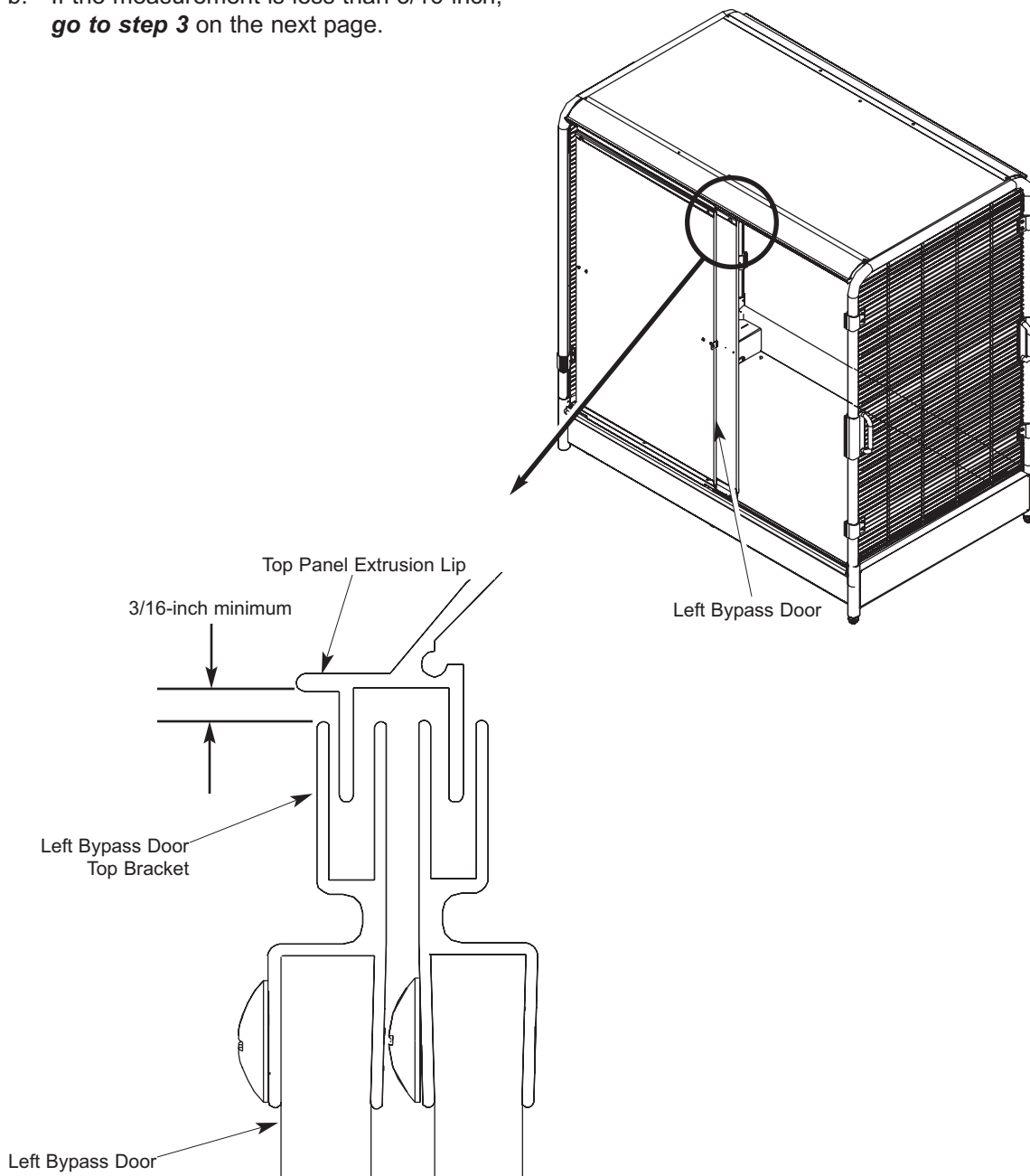
## **BYPASS DOOR INSTALLATION CONTINUED**

---

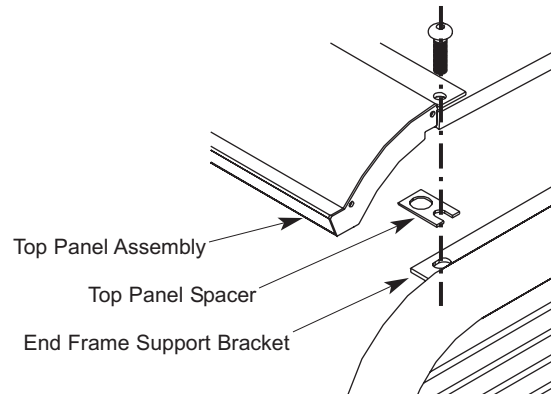
### **CHECK THE BYPASS DOOR TOP CLEARANCE**

Check and adjust the clearance between the Left Bypass Door Top Bracket and the Top Panel Extrusion Lip as follows.

1. Move the Left Bypass Door to the left so that the right side of the Door is close to the center of the Cart as shown below.
2. Using a 6-inch rule or similar tool, measure the clearance between the top of the Left Bypass Door Top Bracket and the bottom surface of the Top Panel Extrusion Lip as (refer to the illustration below).
  - a. If the measurement is  $\frac{3}{16}$  or greater, **go to step 4** on the next page.
  - b. If the measurement is less than  $\frac{3}{16}$ -inch, **go to step 3** on the next page.

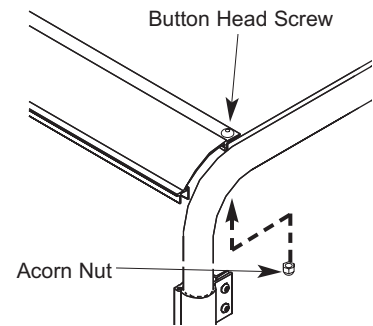


3. To increase the clearance, place Top Panel Spacers between the End Frame Support Bracket and the Top Panel Assembly at each end of the Cart as follows. Refer to the illustration below.
  - a. On one end of the Cart, lift the Top Panel Assembly upward about 1/4-inch and place a Top Panel Spacer between the Top Panel Assembly and the End Frame Support Bracket. Fit the legs of the Top Panel Spacer around the Button Head Screw.
  - b. Repeat step 3a on the other end of the Cart.
  - c. Measure the clearance between the Left Bypass Door Top Bracket and the Top Panel Extrusion Lip. If the clearance is still less than 3/16-inch, repeat steps 3a and 3b.
  - d. Measure the clearance again and repeat steps 3a and 3b if necessary.
  - e. Make sure that the clearance between the Right Bypass Door and the Top Panel Extrusion Lip is also 3/16-inch or greater.

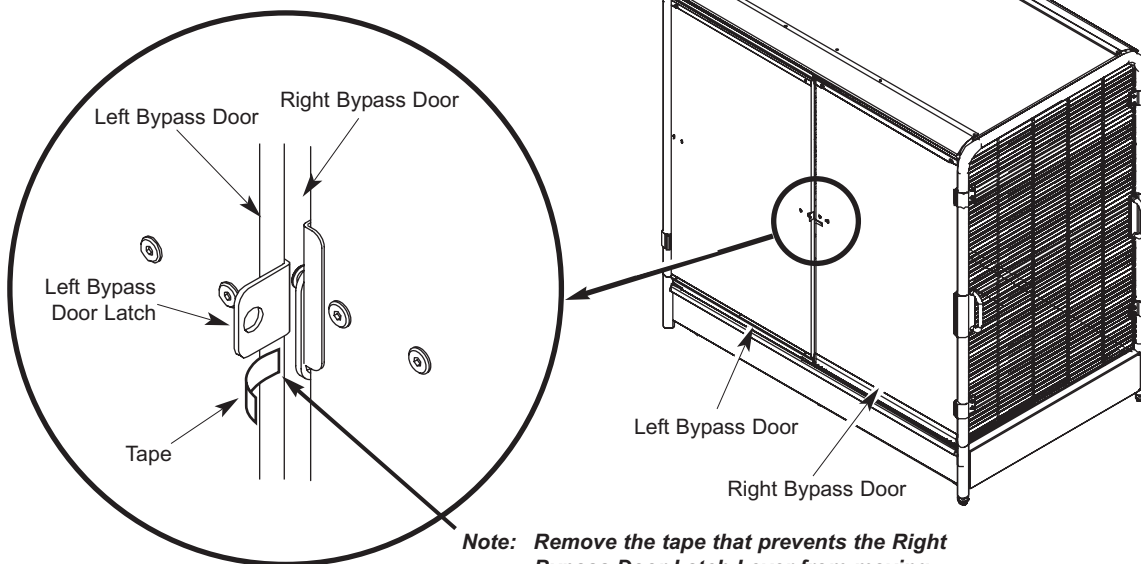


**Note:** If 3/16-inch clearance cannot be achieved with a total of three Top Panel Spacers on each end of the Cart, call Wenger Customer Service.

4. Replace the two Acorn Nuts removed in step 1, *Install the Bypass Doors*, on page 6.

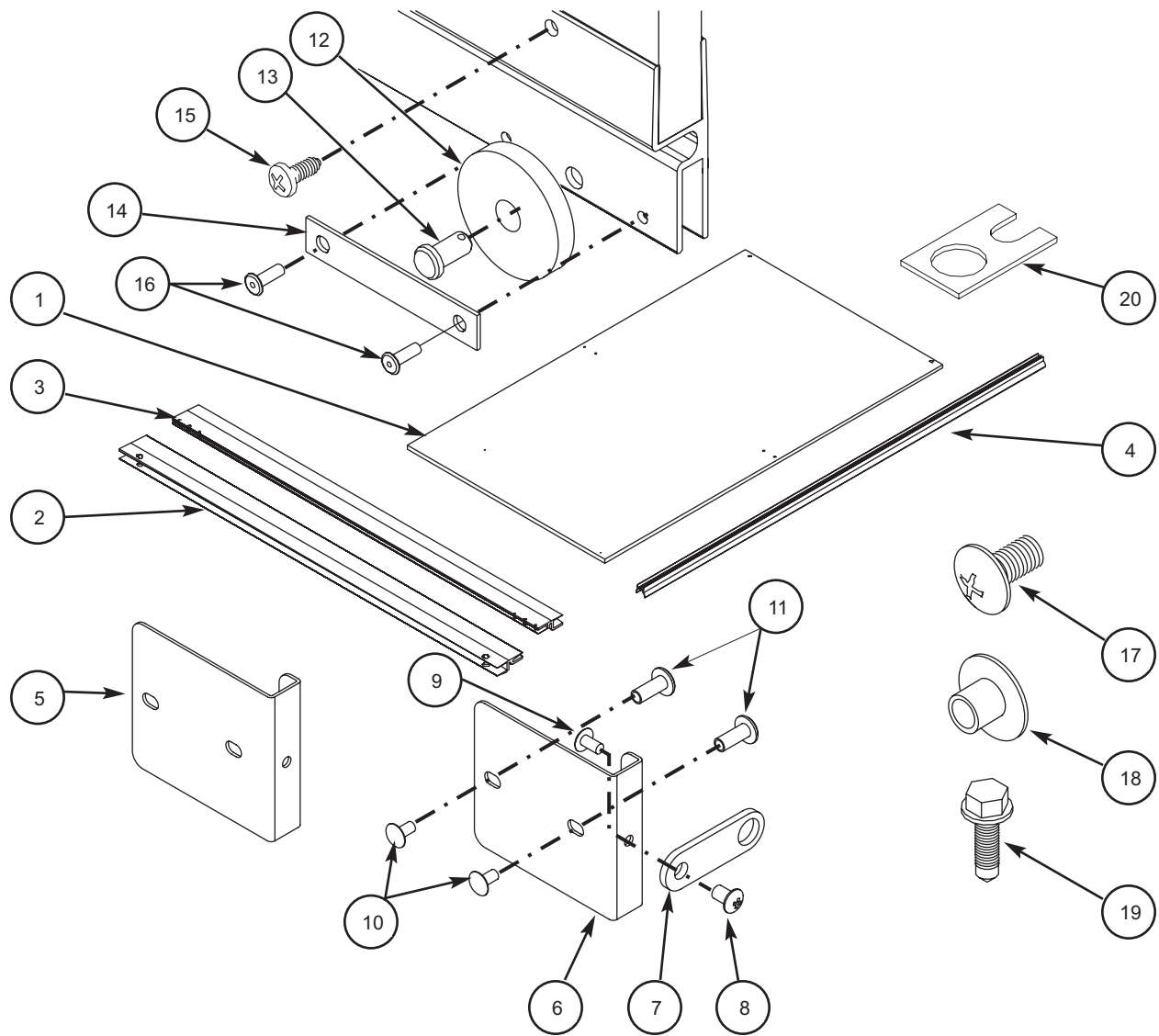


5. Remove the tape attached to the Right Bypass Door Latch Lever and Door.



# REPLACEMENT PARTS

## BYPASS DOOR ACCESSORY



Item	Description
1	Bypass Door Panel
2	Bypass Door Top Bracket
3	Bypass Door Bottom Bracket
4	Bypass Door Track
5	Right Bypass Door Latch
6	Right Bypass Door Latch
7	Right Bypass Door Latch Lever
8	Cap Nut, Phillips Head, 10-24
9	Screw, Truss Head, 10-24x3/8-inch
10	Screw, Truss Head, 10-24x3/8-inch

Item	Description
11	Cap Nut, Hex Socket, 10-24
12	Bypass Door Wheel
13	Bypass Door Clevis Pin, 1/4x1/2-inch
14	Bypass Door Clevis Pin Retainer
15	Screw, Phillips Pan Head, 10-18x5/8-inch
16	Rivet, 1/8x1/4-inch
17	Screw, Truss Head, 3/8-16x3/4-inch
18	Tee-Nut, 3/8-16x7/16-inch
19	Screw, Self-drill, 10-18x1-inch
20	Top Panel Spacer