

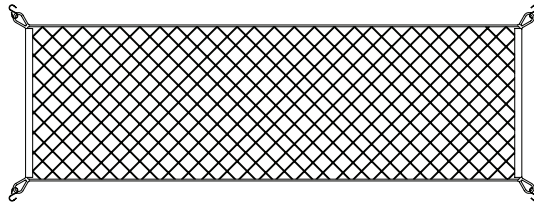
Basic Instructions only!
 For more detailed product information, refer to the
GearBoss High-Density Storage System Owner's Manual 240A099.

⚠ CAUTION

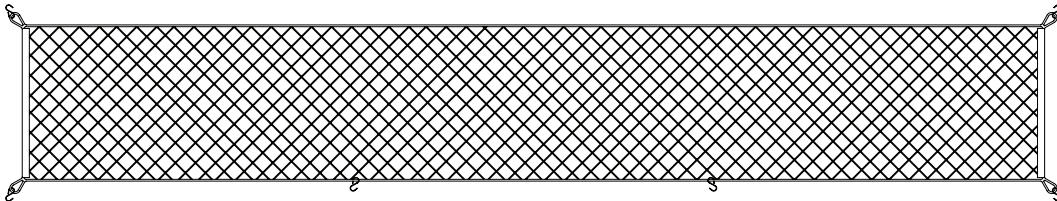
Make sure anyone assembling, installing or using this product has read and understands these instructions.

⚠ CAUTION

Failure to comply with Warnings and Cautions in this document or on the equipment can result in damage to property or serious injury.



36" (914 mm) Cargo Net



73" (1854 mm) Cargo Net

Contents

73" Cargo Net Installation 2	Replacement Parts 4
36" Cargo Net Installation 3	



Visit the GearBoss High-Density Storage System web page at gearboss.com for more information.

Note: Please read and understand these instructions before proceeding.
Note: If you need additional information, contact Wenger Corporation using the information below.

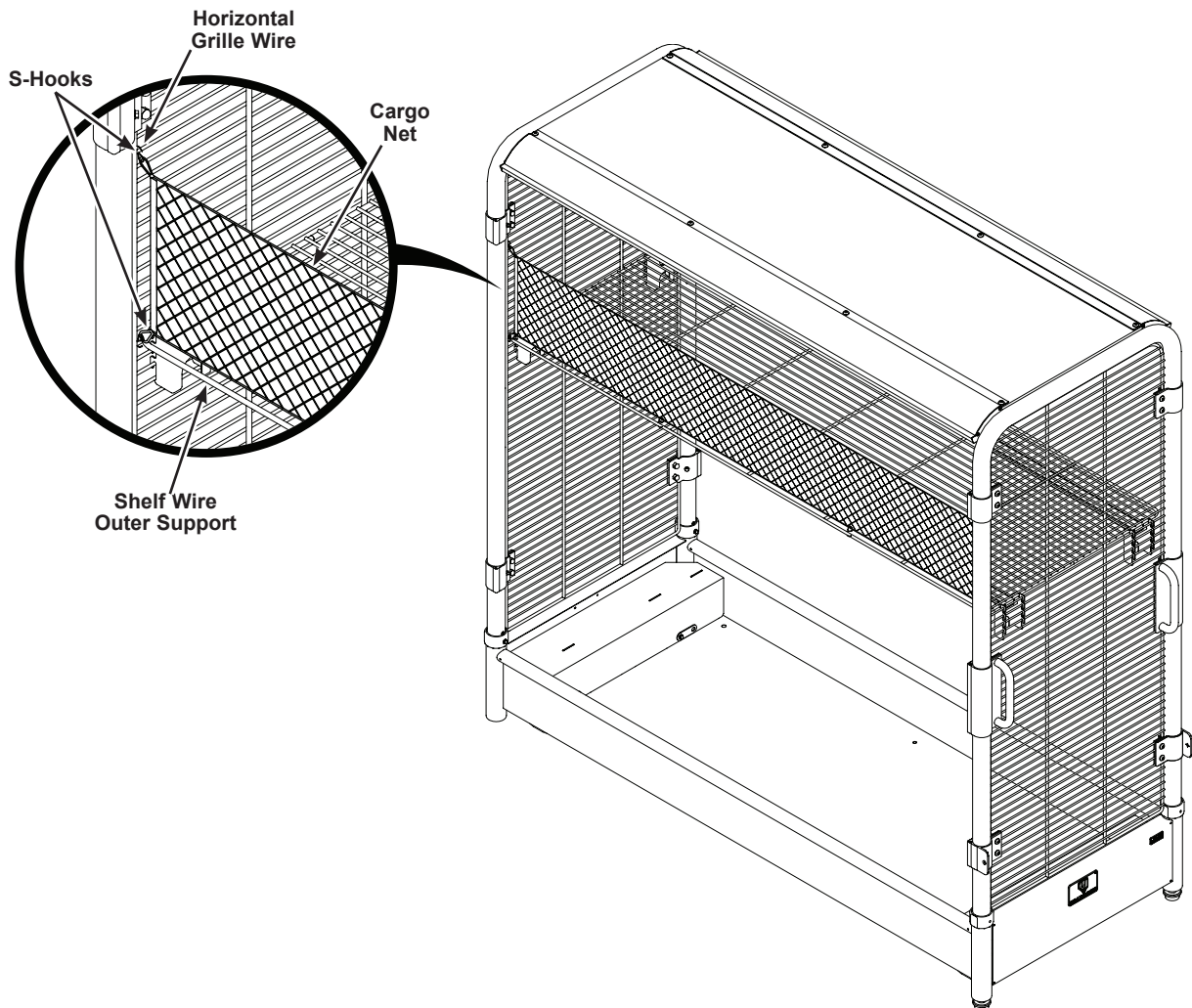
73" Cargo Net Installation

NOTICE

The 73" (1854 mm) cargo net accessory is designed to be used with the full length wire shelf accessory.

To attach the 73" (1854 mm) cargo net:

1. Attach the two s-hooks on each end of the cargo net to the horizontal wires on each end of the wire-grill end panel above the wire shelf accessory.
2. Attach the two s-hooks in the middle of the cargo net to the wire outer support of the wire shelf accessory.



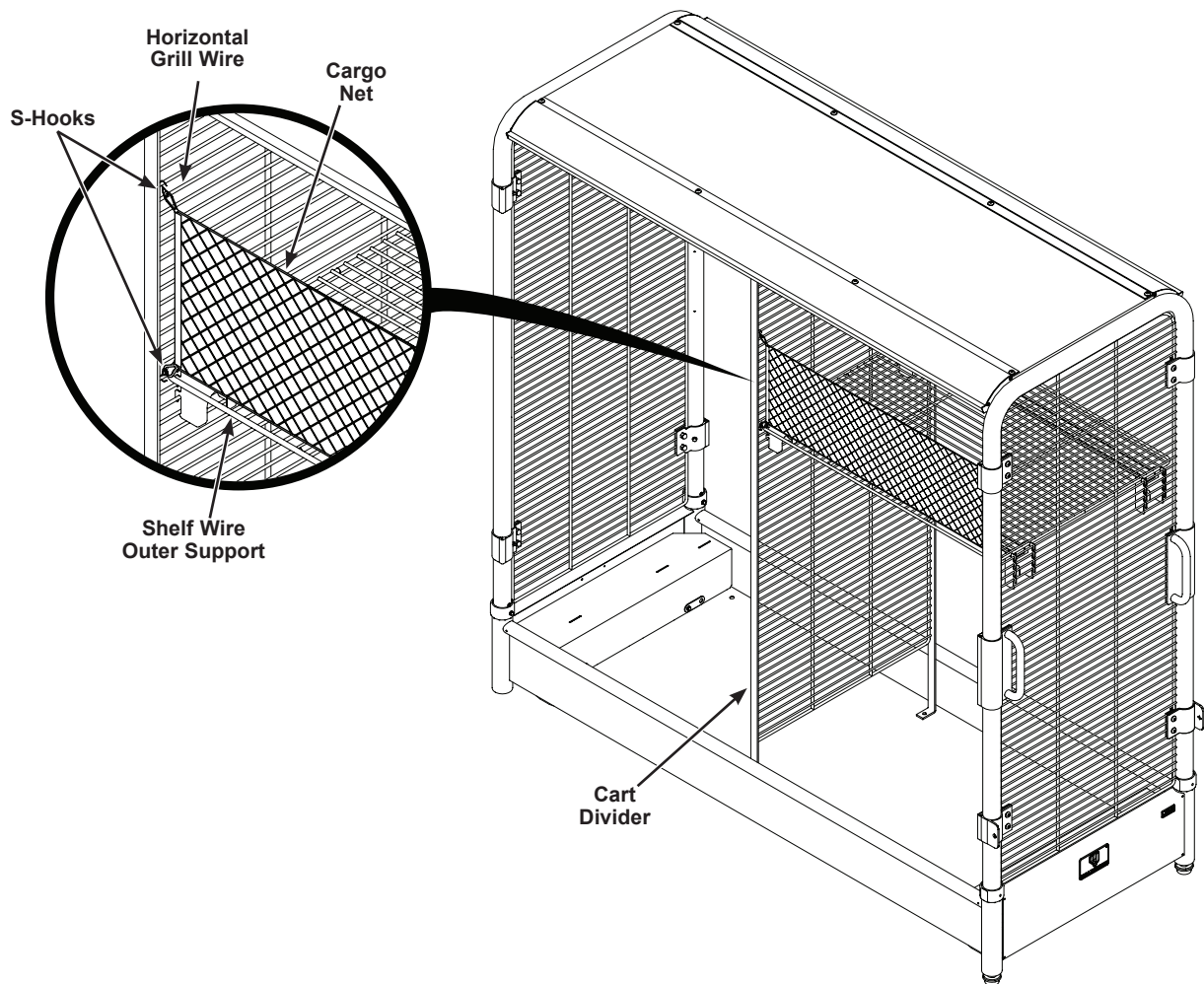
36" Cargo Net Installation

NOTICE

The 36" cargo net accessory is designed to be used with the half length wire shelf accessory along with the cart divider accessory.

To attach the 36" (914 mm) cargo net:

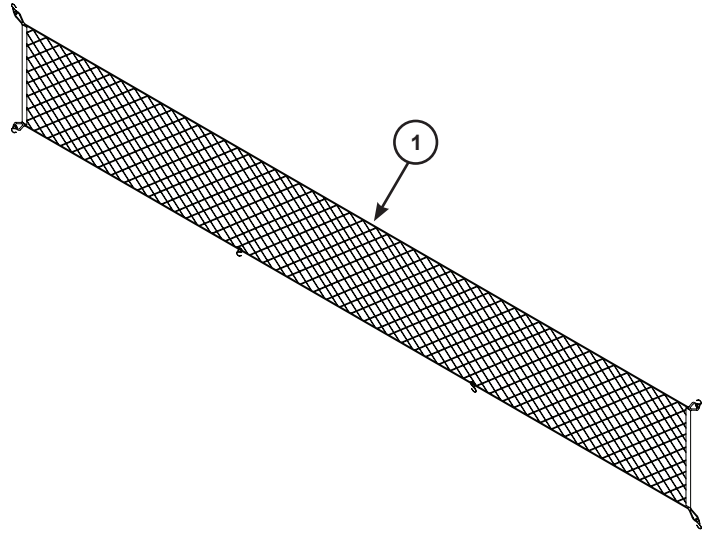
1. Attach the two s-hooks on one end of the cargo net to the horizontal wires on the cart divider above the wire shelf accessory.
2. Attach the two s-hooks on the other end of the cargo net to the horizontal wires on each wire-grille end panel.



Replacement Parts

72" Cargo Net Accessory

Item	Qty	Description
1	1	72" (1854 mm) Cargo Net Accessory



36" Cargo Net Accessory

Item	Qty	Description
1	1	36" (914 mm) Cargo Net Accessory

