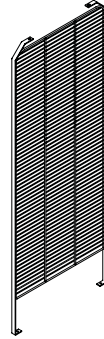


48" Cart Divider



32" Cart Divider

CONTENTS

| | |
|---|---|
| Safety | 2 |
| General | 2 |
| Installation | 2 |
| Warranty | 2 |
| Important User Information | 3 |
| Installation | 3 |
| Intended Use | 3 |
| Required Tools | 3 |
| Fastener Parts List | 3 |
| Cart Divider X-Cart Installation | 4 |
| Cart Divider Team Cart Installation | 6 |
| Replacement Parts List | 8 |
| 48" Cart Divider Accessory | 8 |
| 32" Cart Divider Accessory | 8 |

Note: Please read and understand the Cart Divider Accessory Owner's Manual before attempting installation, assembly, or use.

Note: Remove all items from the shipping containers and sort the components by type, size, etc. Refer to the illustrations on the following pages. If you need additional information about your Cart Divider Accessory, contact the Wenger Corporation using the information listed below.


SAFETY

Throughout this manual you will find **Cautions** and **Warnings** which are defined as follows.

- **Warning** means that failure to follow the instruction may result in serious injury or death.
- **Caution** means that failure to follow the instruction may result in injury or damage to property.

Read and understand the following safety instructions before using or installing any Gearboss Accessory.


GENERAL

|  CAUTION |
|---|
| <i>Installation and use of the Gearboss Accessories must always comply with the information in the "Important End User Information, Intended Use" section on page 3 of this manual.</i> |

|  CAUTION |
|--|
| <i>When using the Gearboss Accessories, always observe and comply with Warnings and Cautions posted on the system equipment.</i> |

INSTALLATION

|  CAUTION |
|---|
| <i>Always wear safety glasses and safety shoes when assembling any Gearboss Accessories</i> |

|  CAUTION |
|---|
| <i>Make sure that anyone who helps assemble the Gearboss Cart Divider Accessory has read and understands this manual.</i> |

|  CAUTION |
|---|
| <i>Never stand on a Cart while working on it.</i> |

WARRANTY

The Gearboss Cart Divider Accessory is guaranteed free of defects in materials and workmanship for five full years.

Our guarantee assures you of either a full refund or repair or replacement of the defective materials or workmanship without charge, at the discretion of our Customer Service Department. Just call a Customer Service Representative at 1-800-887-7145 and state the reason you are dissatisfied. If a product return is necessary, your representative will issue a return authorization. This is your sole remedy for breach of this warranty.

Should you have a question or problem with any Wenger product, don't hesitate to call, even if the product is past warranty. It's important to us that all our customers be satisfied.

This is the sole warranty made by Wenger. Wenger disclaims all other warranties, including the warranties of merchantability and fitness for a particular purpose, as well as all liability for incidental, consequential, special, and indirect damage. Wenger liability for direct damages shall be limited to the amount you paid for the product involved. Wenger reserves the right to make product changes without obligation to incorporate such changes into products previously sold.

Some states do not allow the exclusion or limitation of damages or warranties, so the above may not apply to you. This warranty gives you specific legal rights. You may also have other rights which vary from state to state.

IMPORTANT USER INFORMATION

INSTALLATION

- The Gearboss Cart Divider Accessory installation must comply with local building regulations and codes.
- Personnel installing the Gearboss Cart Divider Accessory must comply with the Warnings and Cautions in the Safety Section.

INTENDED USE

- The Gearboss Cart Divider Accessory is intended for indoor use in normal ambient temperature and humidity conditions — it must not be exposed to prolonged outside weather conditions.
- The Gearboss Cart Divider Accessory is intended to be permanently installed only as described in this manual.

REQUIRED TOOLS

The following tools must be supplied by the installer to assemble the Gearboss Cart Divider Accessory.

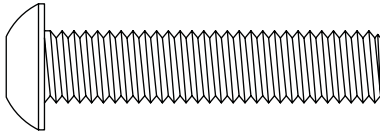


7/32-inch Hex Wrench

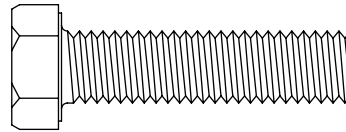


9/16-inch Combination Wrench

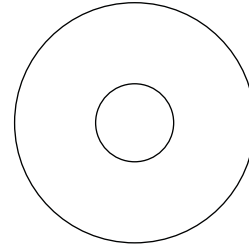
FASTENER PARTS LIST



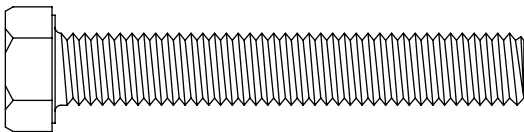
(2) Screw, Button Head, 3/8-16x1-3/4-inch



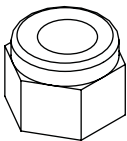
(2) Bolt, Hex Head, 3/8-16x1-1/2-inch



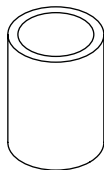
(2) Flat Washer, 3/8 x 1-1/4-inch



(2) Bolt, Hex Head, 3/8-16x2-1/2-inch



(4) Lock Nut, 3/8-16



(2) Spacer

Note: Fasteners are shown above at full scale.

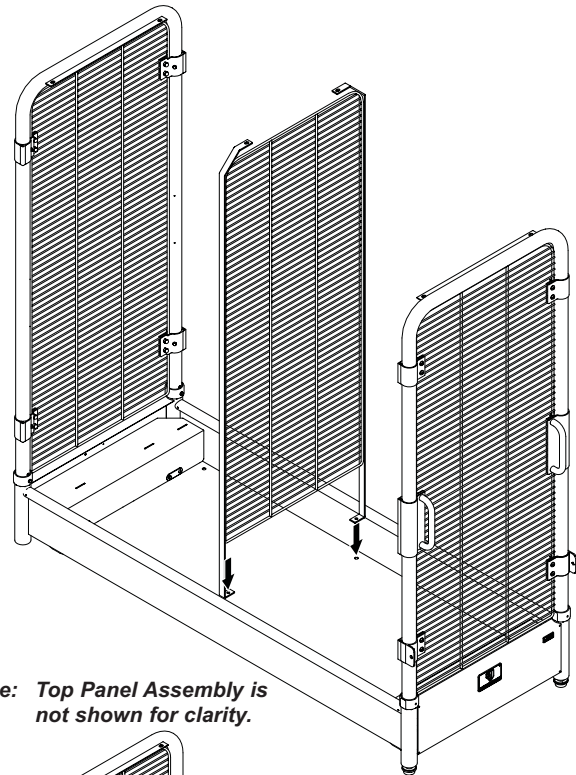
CART DIVIDER X-CART INSTALLATION

NOTE: Installation of the Cart Divider requires two people.

NOTE: The 32-inch X-Cart and 32-inch Cart Divider are shown below. The procedure for the 48-inch X-Cart system is the same.

1. Place the Cart Divider inside the X-Cart so that the two holes in the bottom of the Cart Divider are centered over the holes in the bottom of the Cart.

NOTE: If there are no pre-drilled holes in the bottom of the Cart, contact Wenger for drilling locations.

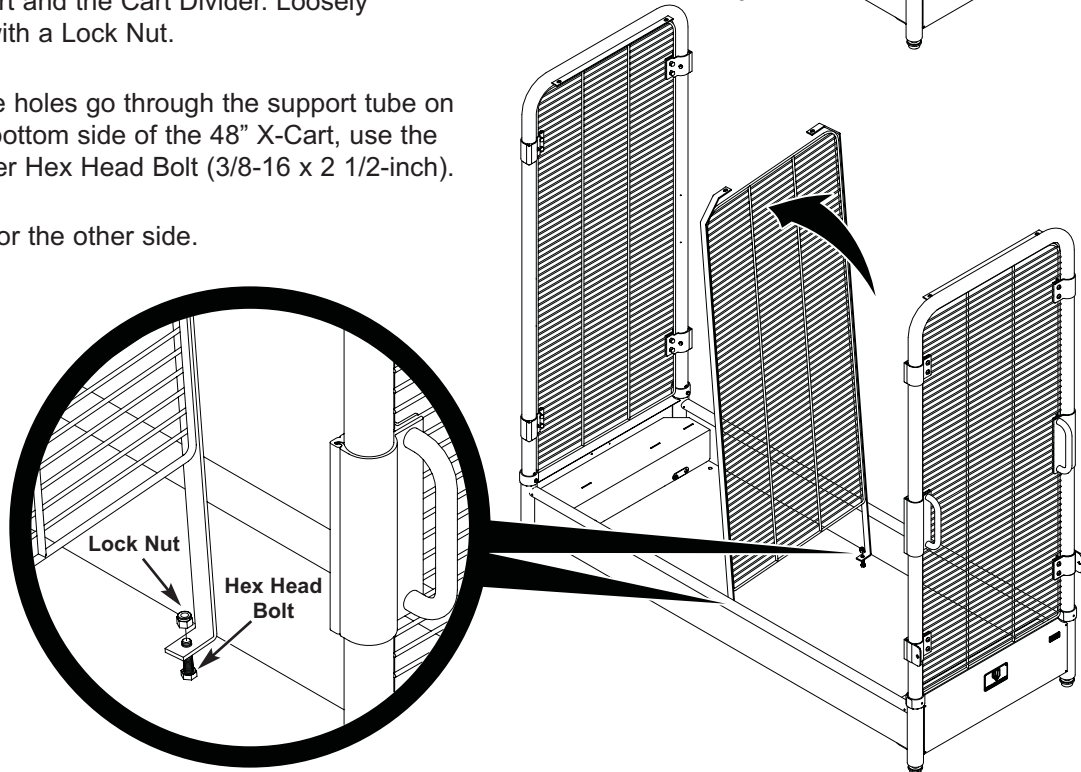


Note: Top Panel Assembly is not shown for clarity.

2. One person tilts the Cart Divider at a slight angle. The other person threads a Hex Head Bolt (3/8-16 x 1 1/2-inch) up through the bottom of the cart and the Cart Divider. Loosely secure with a Lock Nut.

NOTE: If the holes go through the support tube on the bottom side of the 48" X-Cart, use the longer Hex Head Bolt (3/8-16 x 2 1/2-inch).

3. Repeat for the other side.



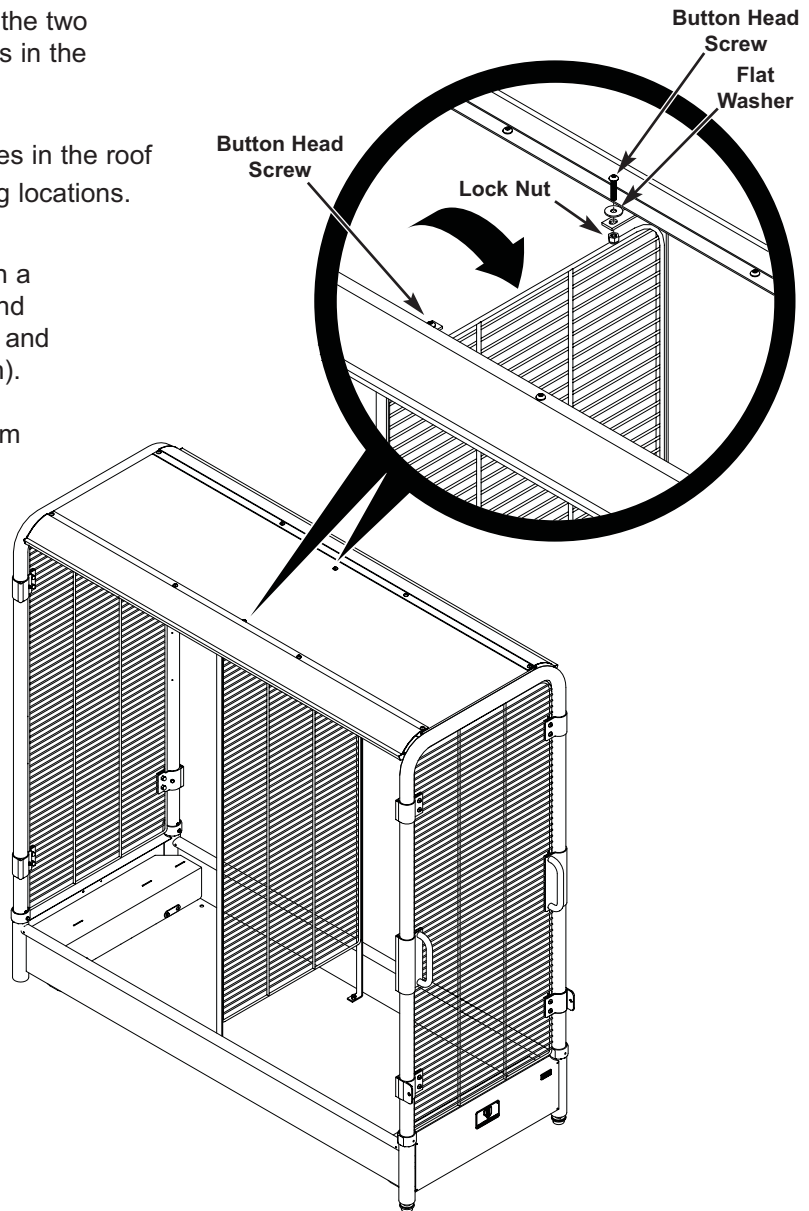
CART DIVIDER X-CART INSTALLATION CONTINUED

4. Tilt the Cart Divider level to align the two holes at the top with the two holes in the roof of the X-Cart.

NOTE: If there are no pre-drilled holes in the roof of the Cart, contact Wenger for drilling locations.

5. Thread a Button Head Screw with a Flat Washer through each hole and tighten with a Hex Wrench (7/32) and a Combination Wrench (9/16-inch).
6. Tighten the two Bolts at the bottom of the Cart Divider using the Combination Wrench (9/16-inch).

NOTE: The remaining fasteners are included for Team Cart Cart Divider installation and may be discarded.



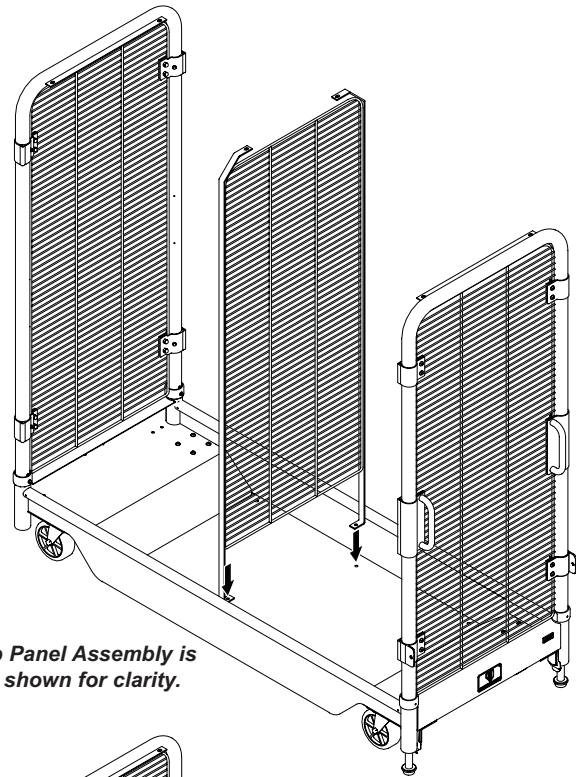
CART DIVIDER TEAM CART INSTALLATION

NOTE: Installation of the Cart Divider requires two people.

NOTE: The 32-inch Team Cart and 32-inch Cart Divider are shown below.
The procedure for the 48-inch Team Cart system is the same.

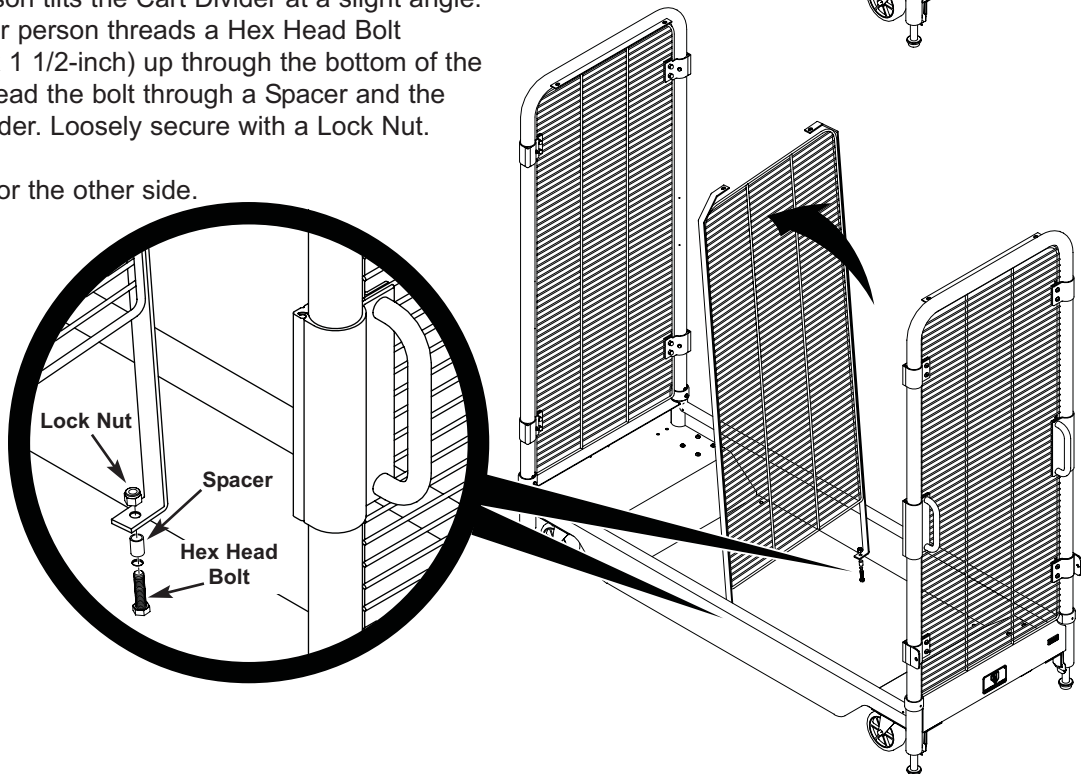
1. Place the Cart Divider inside the Team Cart so that the two holes in the bottom of the Cart Divider are centered over the holes in the bottom of the Cart.

NOTE: If there are no pre-drilled holes in the bottom, of the Cart, contact Wenger for drilling locations.



Note: Top Panel Assembly is not shown for clarity.

2. One person tilts the Cart Divider at a slight angle. The other person threads a Hex Head Bolt (3/8-16 x 1 1/2-inch) up through the bottom of the cart. Thread the bolt through a Spacer and the Cart Divider. Loosely secure with a Lock Nut.
3. Repeat for the other side.



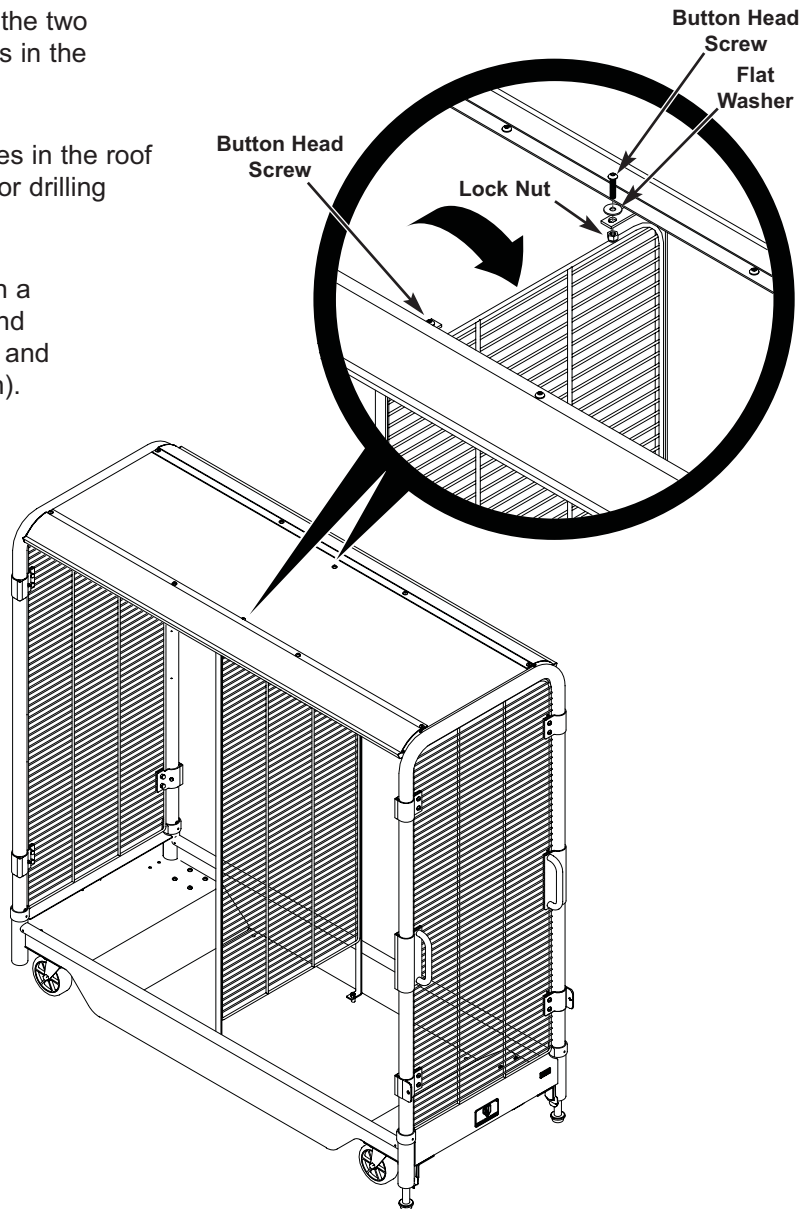
CART DIVIDER TEAM CART INSTALLATION CONTINUED

4. Tilt the Cart Divider level to align the two holes at the top with the two holes in the roof of the X-Cart.

NOTE: If there are no pre-drilled holes in the roof of the Cart, contact Wenger for drilling locations.

5. Thread a Button Head Screw with a Flat Washer through each hole and tighten with a Hex Wrench (7/32) and a Combination Wrench (9/16-inch).
6. Tighten the two Bolts at the bottom of the Cart Divider using the Combination Wrench (9/16-inch).

NOTE: The remaining fasteners are included for X-Cart Cart Divider Installation and may be discarded.

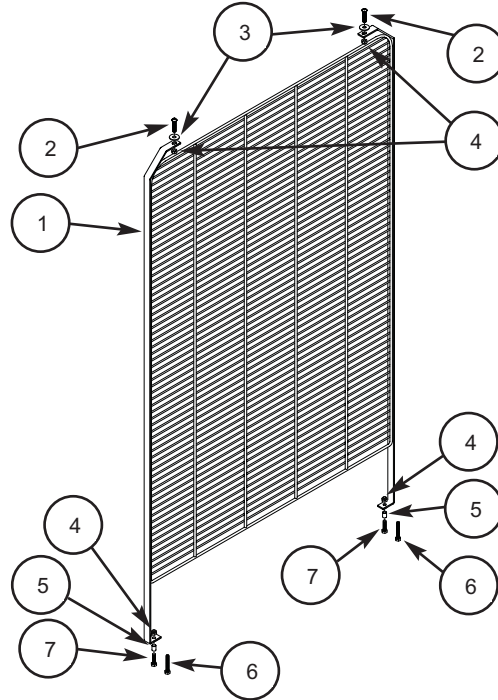


REPLACEMENT PARTS LIST

48" CART DIVIDER ACCESSORY

Note: The following parts are contained in the 48" Cart Divider Accessory Carton. Contact Wenger for replacement part information.

| Item | Qty | Description |
|------|-----|---------------------------------------|
| 1 | 1 | 48" Cart Divider |
| 2 | 2 | Screw, Button Head, 3/8-16x1-3/4-inch |
| 3 | 2 | Flat Washer, 3/8 x 1-1/4-inch |
| 4 | 4 | Lock Nut, 3/8-16 |
| 5 | 2 | Spacer |
| 6 | 2 | Bolt, Hex Head, 3/8-16x2-1/2-inch |
| 7 | 2 | Bolt, Hex Head, 3/8-16x1-3/4-inch |



32" CART DIVIDER ACCESSORY

Note: The following parts are contained in the 32" Cart Divider Accessory Carton. Contact Wenger for replacement part information.

| Item | Qty | Description |
|------|-----|---------------------------------------|
| 1 | 1 | 32" Cart Divider |
| 2 | 2 | Screw, Button Head, 3/8-16x1-3/4-inch |
| 3 | 2 | Flat Washer, 3/8 x 1-1/4-inch |
| 4 | 4 | Lock Nut, 3/8-16 |
| 5 | 2 | Spacer |
| 6 | 2 | Bolt, Hex Head, 3/8-16x2-1/2-inch |
| 7 | 2 | Bolt, Hex Head, 3/8-16x1-3/4-inch |

