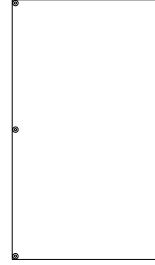


Full Length Center Soft Divider



Half Length Center Soft Divider

CONTENTS

Safety	2
General	2
Installation	2
Warranty	2
Important User Information	3
Installation	3
Intended Use	3
Full Length Center Soft Divider Installation	4
Half Length Center Soft Divider Installation	5
Replacement Parts List	6
Full Length Center Soft Divider Accessory	6
Half Length Center Soft Divider Accessory	6

Note: Please read and understand the Center Soft Divider Accessory Owner's Manual before attempting installation, assembly, or use.

Note: Remove all items from the shipping containers and sort the components by type, size, etc. Refer to the illustrations on the following pages. If you need additional information about your Center Soft Divider Accessory, contact the Wenger Corporation using the information listed below.


SAFETY

Throughout this manual you will find **Cautions** and **Warnings** which are defined as follows.

- **Warning** means that failure to follow the instruction may result in serious injury or death.
- **Caution** means that failure to follow the instruction may result in injury or damage to property.

Read and understand the following safety instructions before using or installing any Gearboss Accessory.

GENERAL

 CAUTION
<i>Installation and use of the Gearboss Accessories must always comply with the information in the "Important End User Information, Intended Use" section on page 3 of this manual.</i>

 CAUTION
<i>When using the Gearboss Accessories, always observe and comply with Warnings and Cautions posted on the system equipment.</i>

INSTALLATION

 CAUTION
<i>Make sure that anyone who helps assemble the Gearboss Center Soft Divider Accessory has read and understands this manual.</i>

 CAUTION
<i>Never stand on a Cart while working on it.</i>

WARRANTY

The Gearboss Center Soft Divider Accessory is guaranteed free of defects in materials and workmanship for five full years.

Our guarantee assures you of either a full refund or repair or replacement of the defective materials or workmanship without charge, at the discretion of our Customer Service Department. Just call a Customer Service Representative at 1-800-887-7145 and state the reason you are dissatisfied. If a product return is necessary, your representative will issue a return authorization. This is your sole remedy for breach of this warranty.

Should you have a question or problem with any Wenger product, don't hesitate to call, even if the product is past warranty. It's important to us that all our customers be satisfied.

This is the sole warranty made by Wenger. Wenger disclaims all other warranties, including the warranties of merchantability and fitness for a particular purpose, as well as all liability for incidental, consequential, special, and indirect damage. Wenger liability for direct damages shall be limited to the amount you paid for the product involved. Wenger reserves the right to make product changes without obligation to incorporate such changes into products previously sold.

Some states do not allow the exclusion or limitation of damages or warranties, so the above may not apply to you. This warranty gives you specific legal rights. You may also have other rights which vary from state to state.

IMPORTANT USER INFORMATION

INSTALLATION

- The Gearboss Center Soft Divider Accessory installation must comply with local building regulations and codes.
- Personnel installing the Gearboss Center Soft Divider Accessory must comply with the Warnings and Cautions in the Safety Section.

INTENDED USE

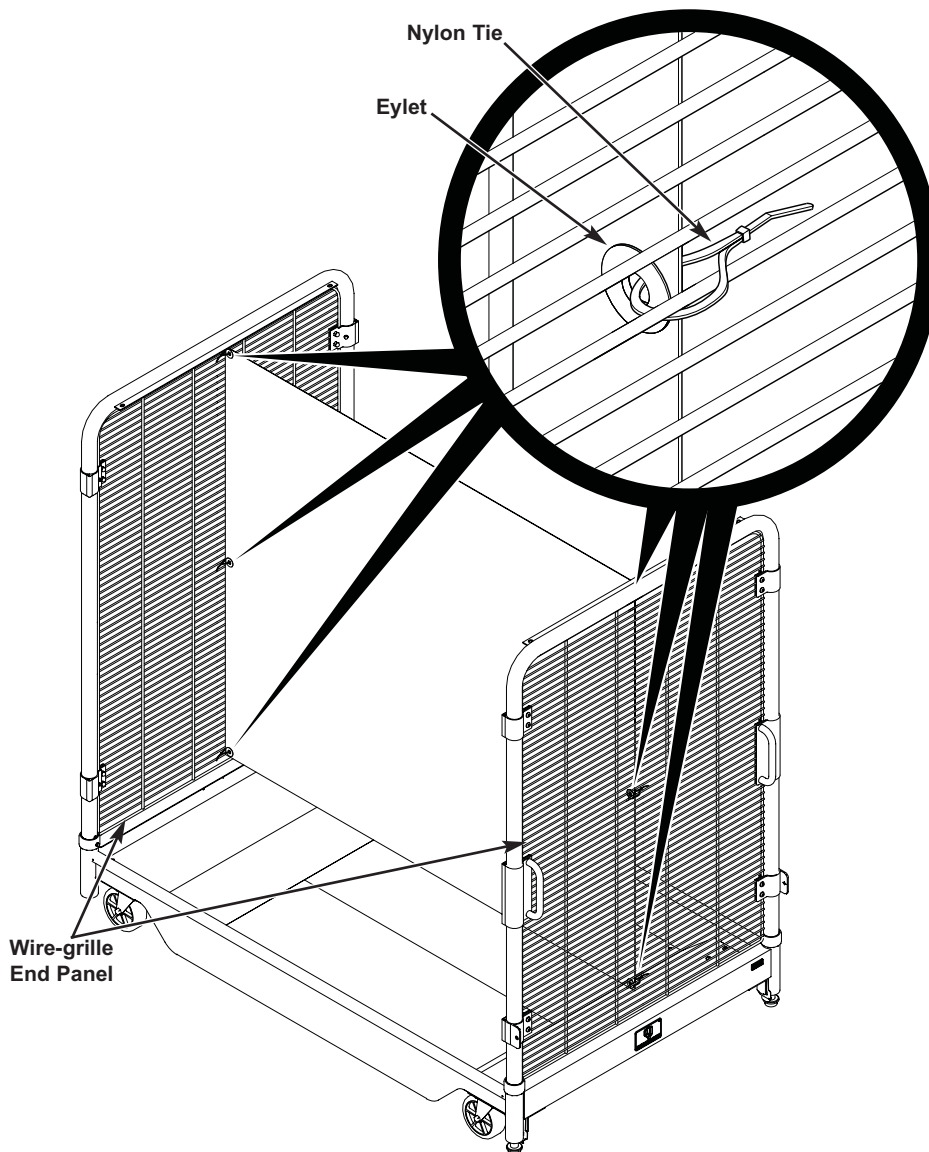
- The Gearboss Center Soft Divider Accessory is intended for indoor use in normal ambient temperature and humidity conditions — it must not be exposed to prolonged outside weather conditions.
- The Gearboss Center Soft Divider Accessory is intended to be permanently installed only as described in this manual.

FULL LENGTH CENTER SOFT DIVIDER INSTALLATION

To attach the Full Length Center Soft Divider:

1. Secure the Center Soft Divider to each End Frame Wire-grille End Panel using the included nylon ties.
 - a. Feed one of the included nylon ties through each eyelet (three holes on each side)
 - b. Wrap nylon tie around a wire-grille panel horizontal wire and fasten the tie.

NOTE: Once the nylon tie is fastened, it cannot be removed without cutting it off.



HALF LENGTH CENTER SOFT DIVIDER INSTALLATION

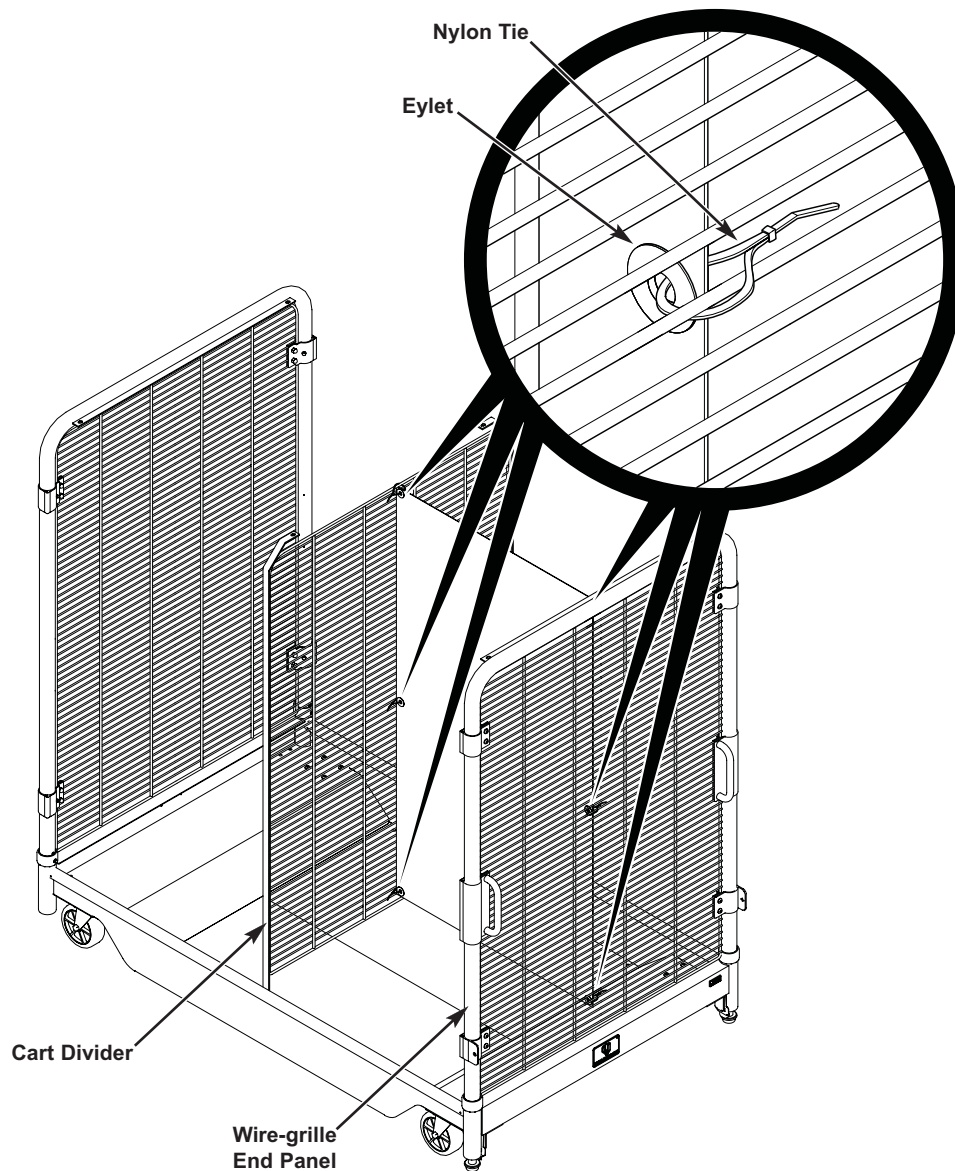
NOTE: The Half Length Center Soft Divider Accessory is designed to be used with the Cart Divider Accessory.

To attach the Half Length Center Soft Divider:

1. Secure the one side of the Center Soft Divider to the End Frame Wire-grille End Panel using the included nylon ties.
 - a. Feed one of the included nylon ties through each eyelet (three holes on each side)
 - b. Wrap nylon tie around a wire-grille panel horizontal wire and fasten the tie.

NOTE: Once the nylon tie is fastened, it cannot be removed without cutting it off.

2. Secure the other side of the Center Soft Divider to the Cart Divider using the steps above.

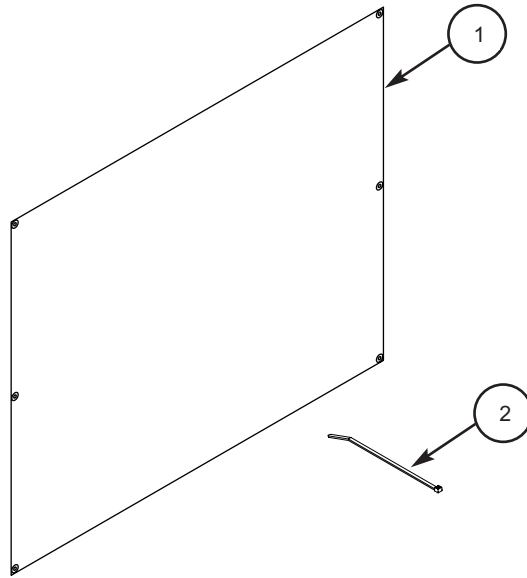


REPLACEMENT PARTS LIST

FULL LENGTH CENTER SOFT DIVIDER ACCESSORY

Note: The following parts are contained in the Full Length Center Soft Divider Accessory Carton. Contact Wenger for replacement part information.

<u>Item</u>	<u>Qty</u>	<u>Description</u>
1	1	Full Length Center Soft Divider
2	6	Nylon Tie



HALF LENGTH CENTER SOFT DIVIDER ACCESSORY

Note: The following parts are contained in the Half Length Center Soft Divider Accessory Carton. Contact Wenger for replacement part information.

<u>Item</u>	<u>Qty</u>	<u>Description</u>
1	1	Half Length Center Soft Divider
2	6	Nylon Tie

